

8

7

6

5

4

3

2

1

MATERIAL:
RL52A-T31: 6061 ALUMINUM BODY

RL52A-T31

D

D

C

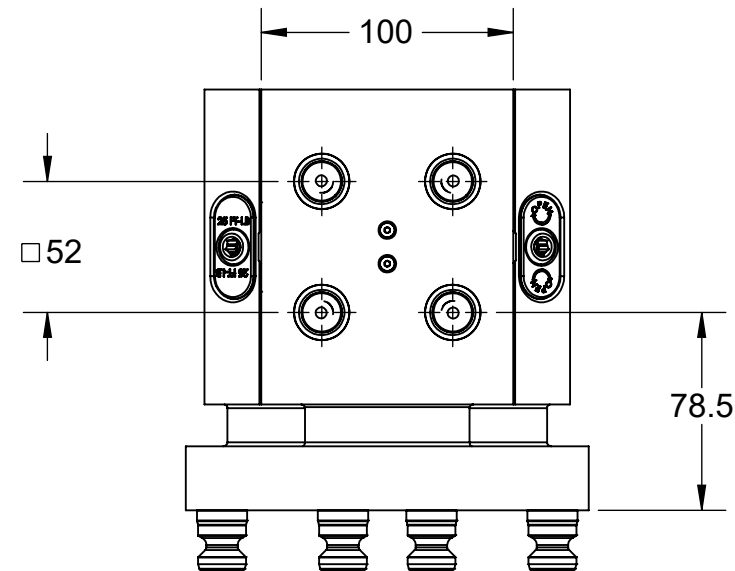
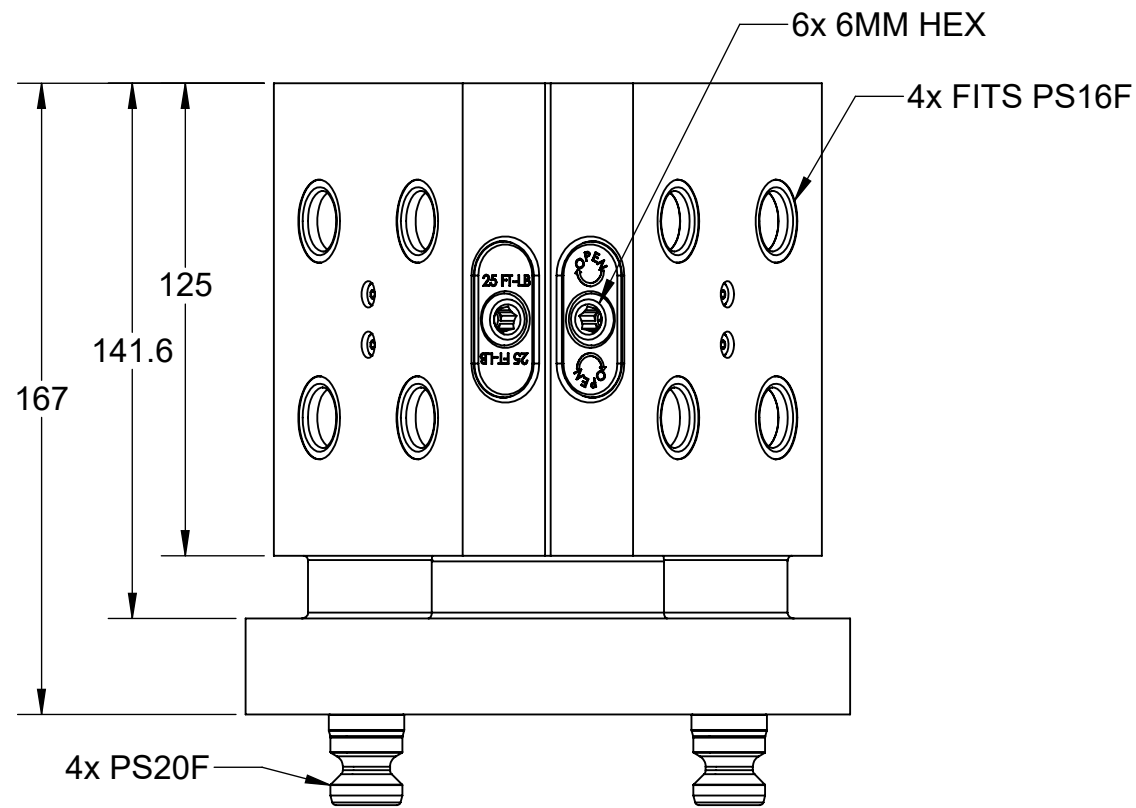
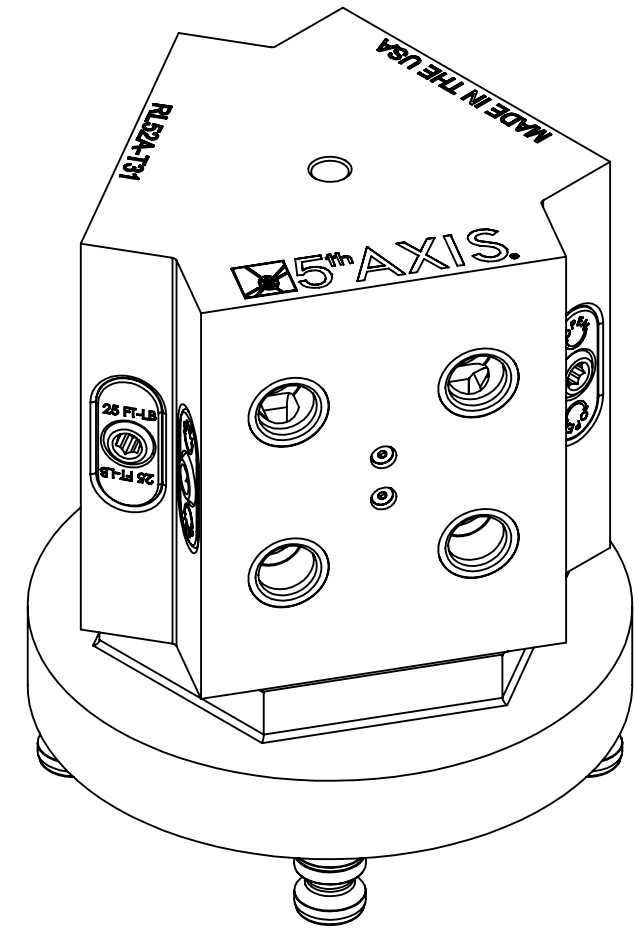
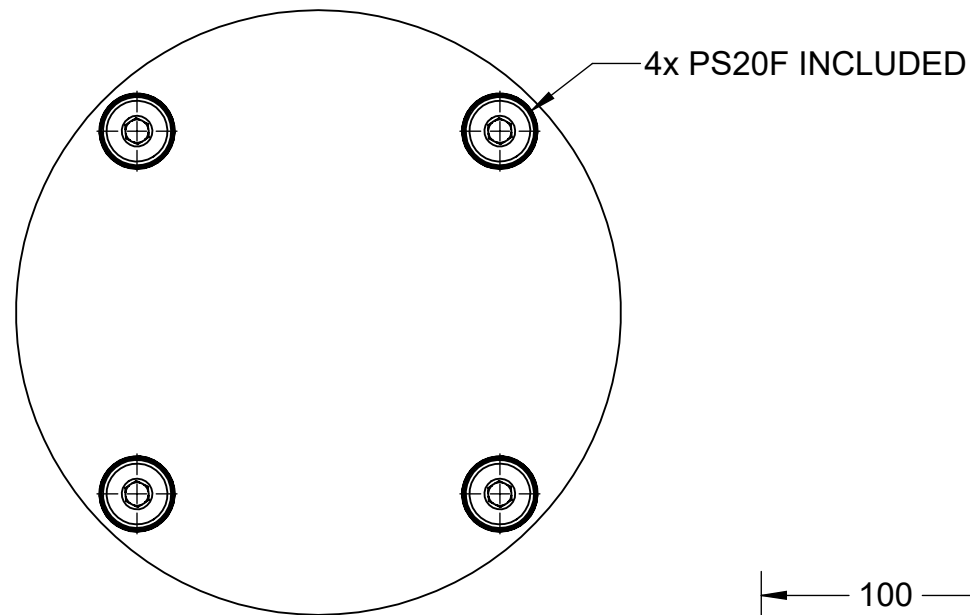
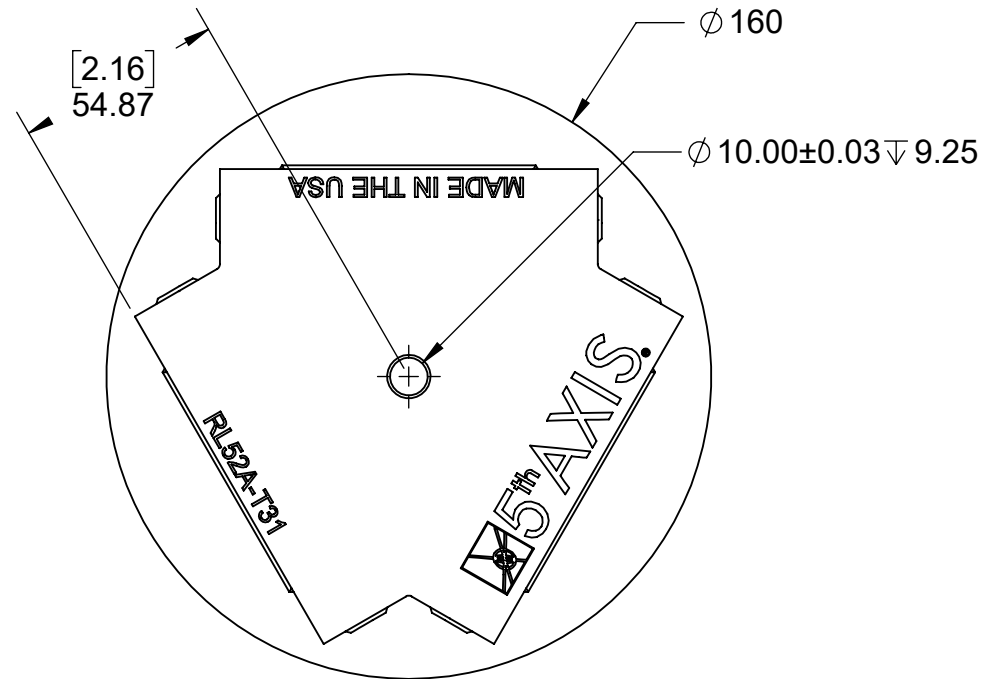
C

B

B

A

A



SIDE FACE AUXILIARY VIEW
SCALE 1:3

MILLIMETER			
WWW.5THAXIS.COM			
7140 ENGINEER ROAD SAN DIEGO, CA 92111 P (858) 505-0432		DESCRIPTION ROCKLOCK™ 52MM THREE SIDED TOMBSTONE BASE	
THIRD ANGLE PROJECTION	SIZE B	PART NO. RL52A-T31	REV B
DO NOT SCALE DRAWING		SCALE 1:2	WEIGHT:
		SHEET 1 OF 2	

8

7

6

5

4

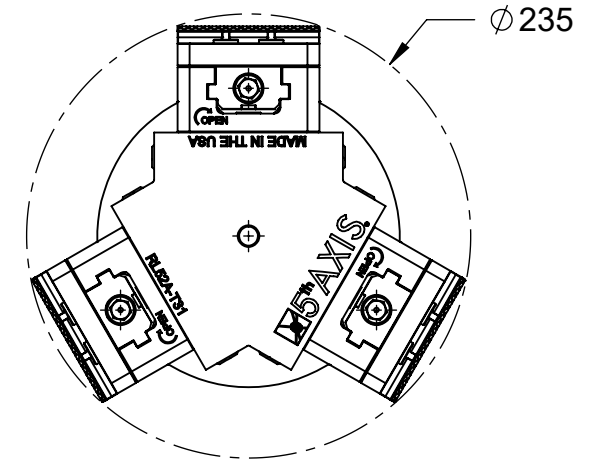
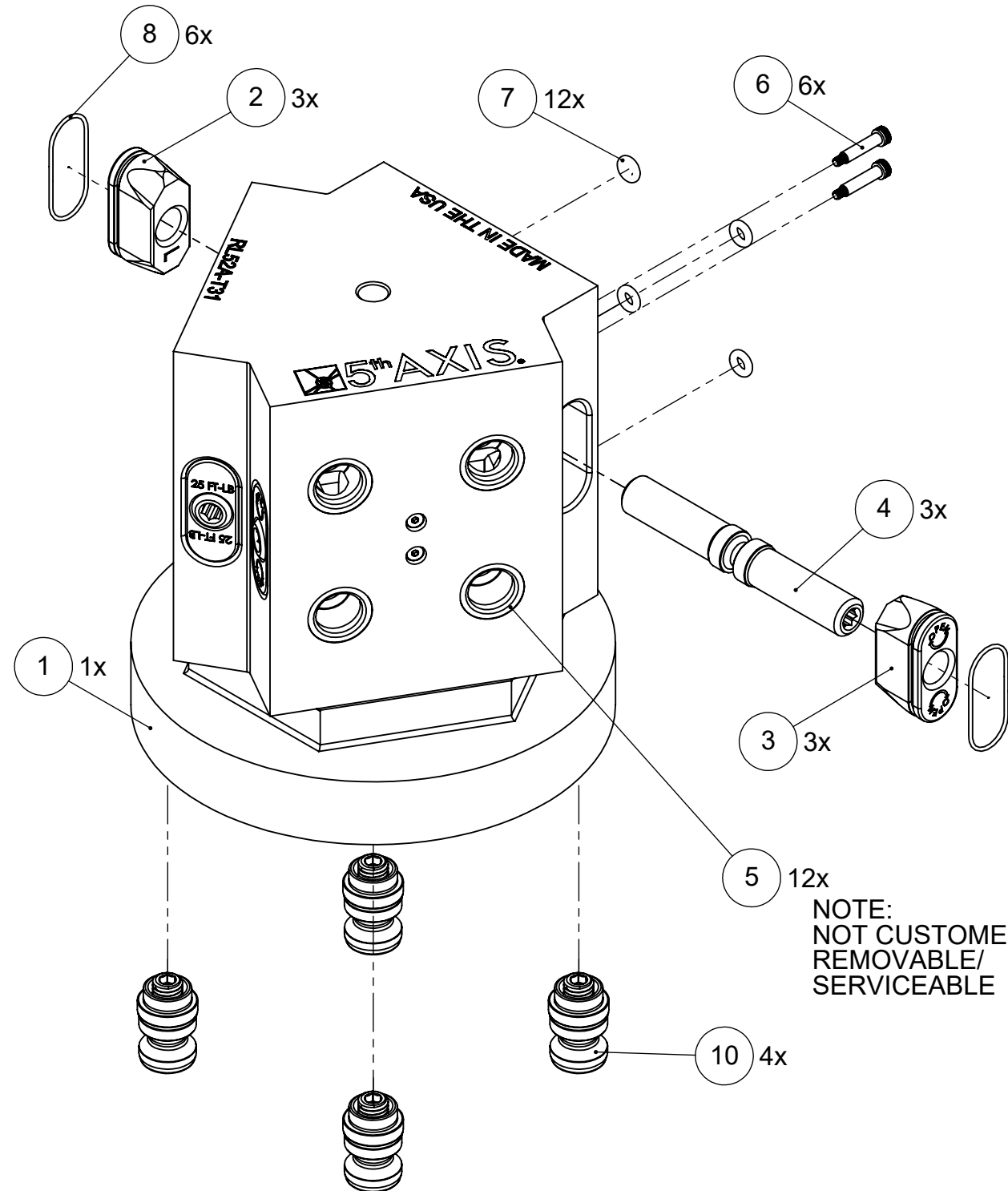
3

2

1

RL52A-T31

MATERIAL:
RL52A-T31: 6061 ALUMINUM BODY



TOP VIEW OF RL52A-T31 WITH 3x V75100X

ITEM NO.	PART NUMBER	DESCRIPTION	QTY.
1	RL52-1T31A	ROCKLOCK™ BASE	1
2	RL52-2L	LEFT ROCKLOCK™ TRUCK	3
3	RL52-2R	RIGHT ROCKLOCK™ TRUCK	3
4	RL52-3	ROCKLOCK™ LEAD SCREW	3
5	22X16.DB	PRECISION BUSHING	12
6	SB43	SHOULDER BOLT	6
7	-	BUNA-N O-RING, 3/32 - #106	12
8	-	BUNA-N O-RING, 1/16 - #023	6
9	MCMASTER 9750K72	POLYETHYLENE PANEL PLUGS 16-18mm (NOT SHOWN)	12
10	PS20F	96mm PULL STUD	4
FOR REFERENCE ONLY - NOT FOR RESALE			

MILLIMETER			
WWW.5THAXIS.COM		DESCRIPTION	
7140 ENGINEER ROAD SAN DIEGO, CA 92111 P (858) 505-0432		ROCKLOCK™ 52MM THREE SIDED TOMBSTONE BASE	
THIRD ANGLE PROJECTION		SIZE	REV
		B	B
		PART NO.	WEIGHT:
		RL52A-T31	
DO NOT SCALE DRAWING		SCALE 1:2	SHEET 2 OF 2