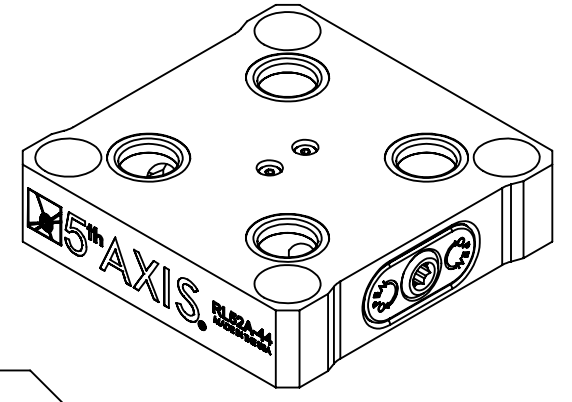
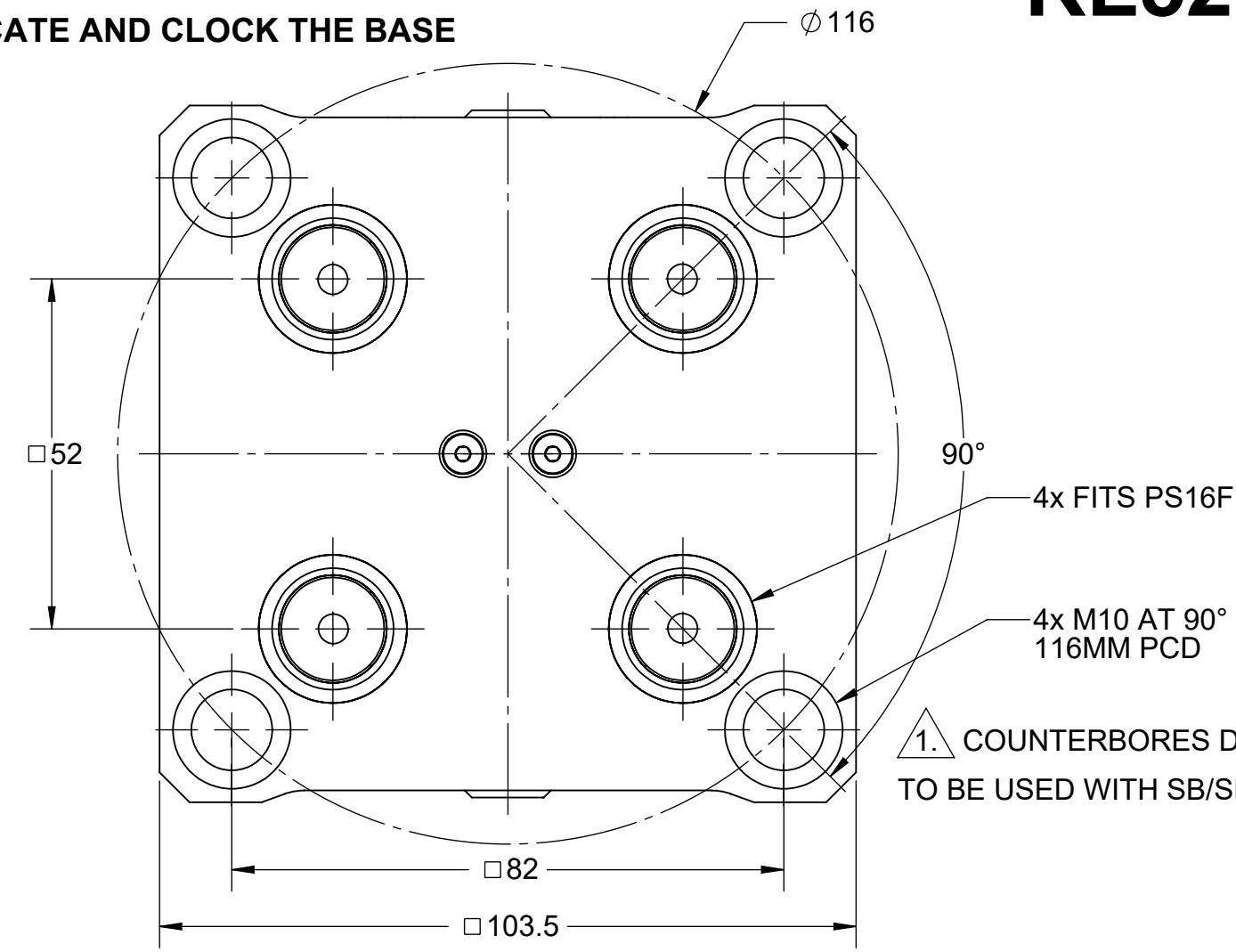


**MATERIAL:**  
 RL52A-44: 6061 ALUMINUM BODY  
 RL52S-44: 1018 STEEL BODY

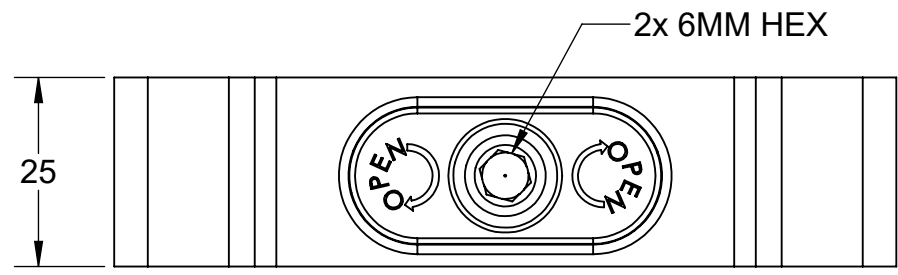
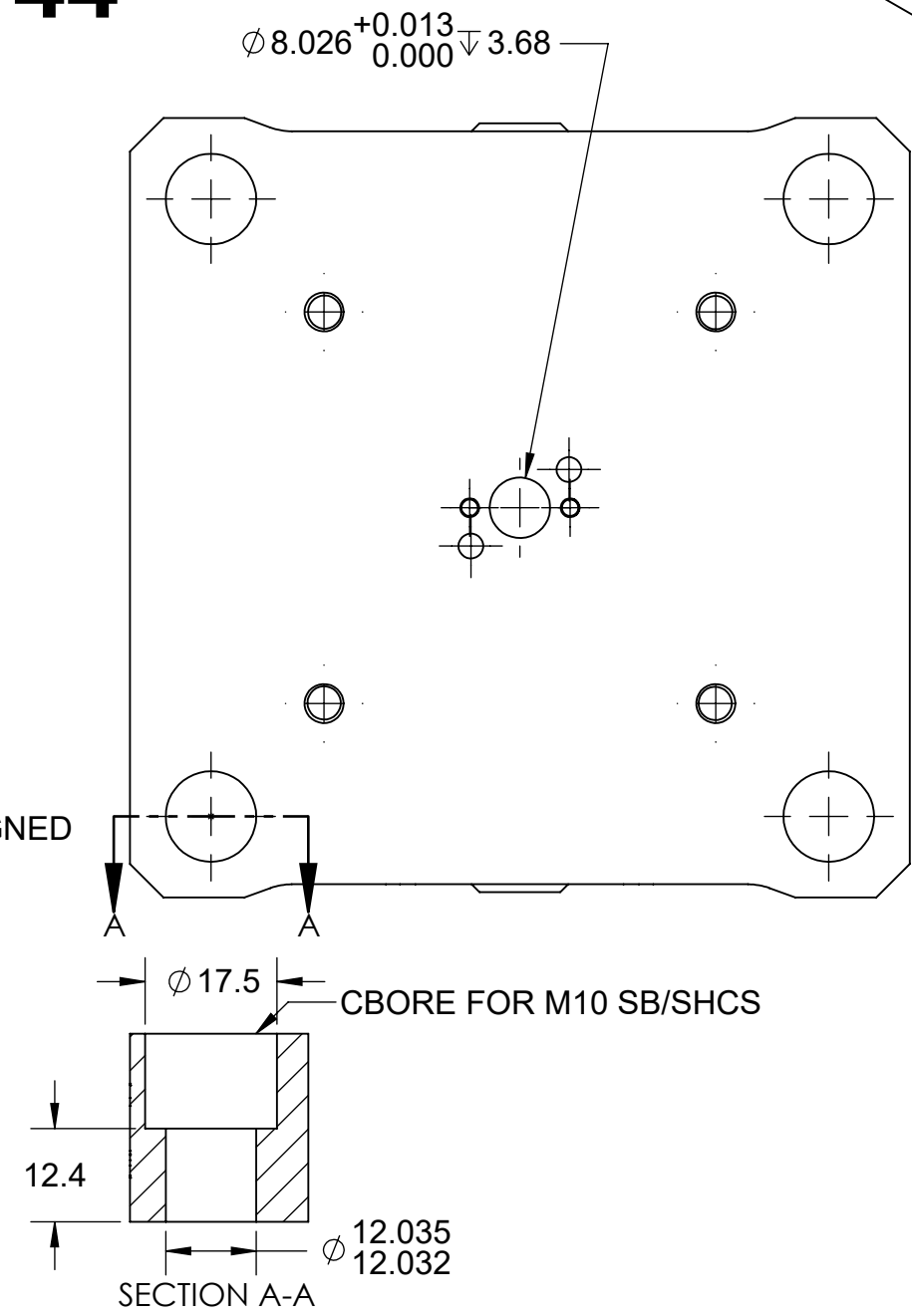
# RL52A-44 RL52S-44




1. USE TWO SHOULDER BOLTS TO LOCATE AND CLOCK THE BASE



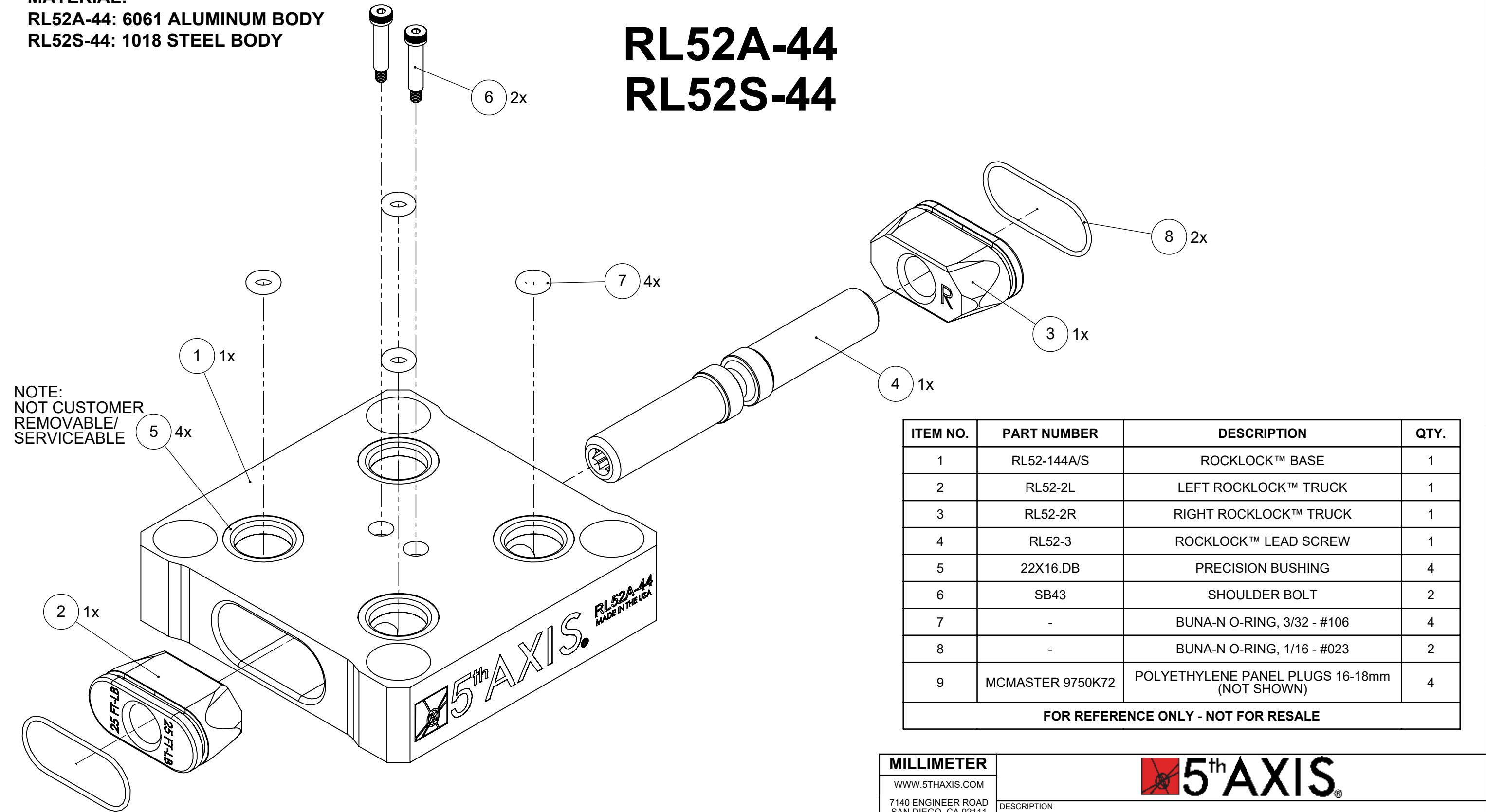
1. COUNTERBORES DESIGNED TO BE USED WITH SB/SHCS



<b>MILLIMETER</b>			
WWW.5THAXIS.COM 7140 ENGINEER ROAD SAN DIEGO, CA 92111 P (858) 505-0432			
DESCRIPTION		ROCKLOCK™ 52MM LOW-PROFILE BASE	
SIZE	PART NO.	REV	
<b>B</b>	RL52A-44 / RL52S-44	<b>B</b>	
DO NOT SCALE DRAWING		SCALE 1:1	WEIGHT:
		SHEET 1 OF 2	

**MATERIAL:**  
 RL52A-44: 6061 ALUMINUM BODY  
 RL52S-44: 1018 STEEL BODY

# RL52A-44 RL52S-44



NOTE:  
 NOT CUSTOMER  
 REMOVABLE/  
 SERVICEABLE

ITEM NO.	PART NUMBER	DESCRIPTION	QTY.
1	RL52-144A/S	ROCKLOCK™ BASE	1
2	RL52-2L	LEFT ROCKLOCK™ TRUCK	1
3	RL52-2R	RIGHT ROCKLOCK™ TRUCK	1
4	RL52-3	ROCKLOCK™ LEAD SCREW	1
5	22X16.DB	PRECISION BUSHING	4
6	SB43	SHOULDER BOLT	2
7	-	BUNA-N O-RING, 3/32 - #106	4
8	-	BUNA-N O-RING, 1/16 - #023	2
9	MCMaster 9750K72	POLYETHYLENE PANEL PLUGS 16-18mm (NOT SHOWN)	4

FOR REFERENCE ONLY - NOT FOR RESALE

<b>MILLIMETER</b>			
WWW.5THAXIS.COM 7140 ENGINEER ROAD SAN DIEGO, CA 92111 P (858) 505-0432			
THIRD ANGLE PROJECTION		DESCRIPTION	ROCKLOCK™ 52MM LOW-PROFILE BASE
SIZE	PART NO.	REV	
<b>B</b>	<b>RL52A-44 / RL52S-44</b>	<b>B</b>	
DO NOT SCALE DRAWING		SCALE 1:1	WEIGHT:
		SHEET 2 OF 2	