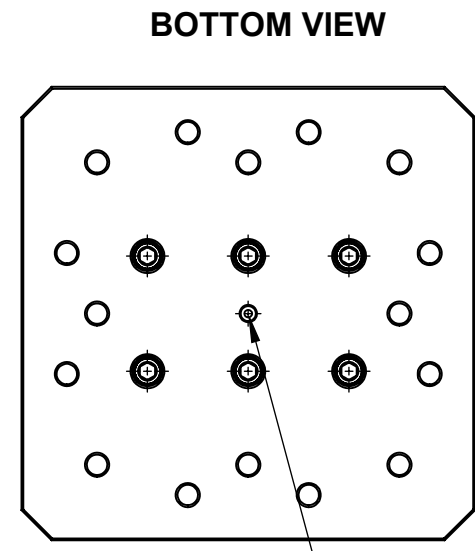
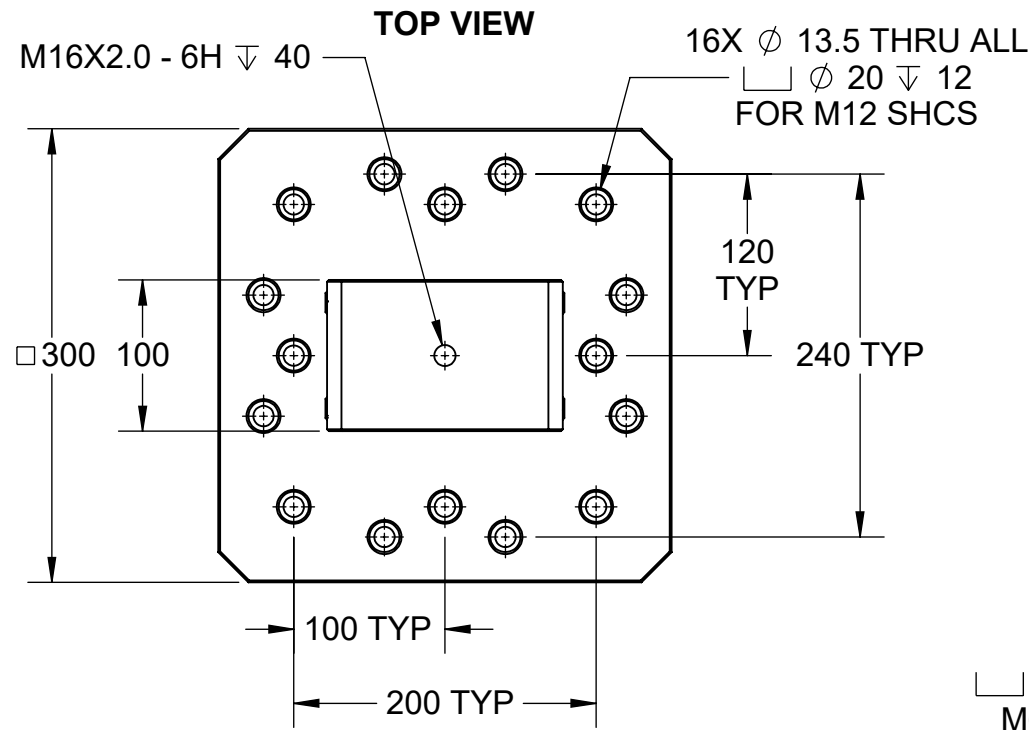


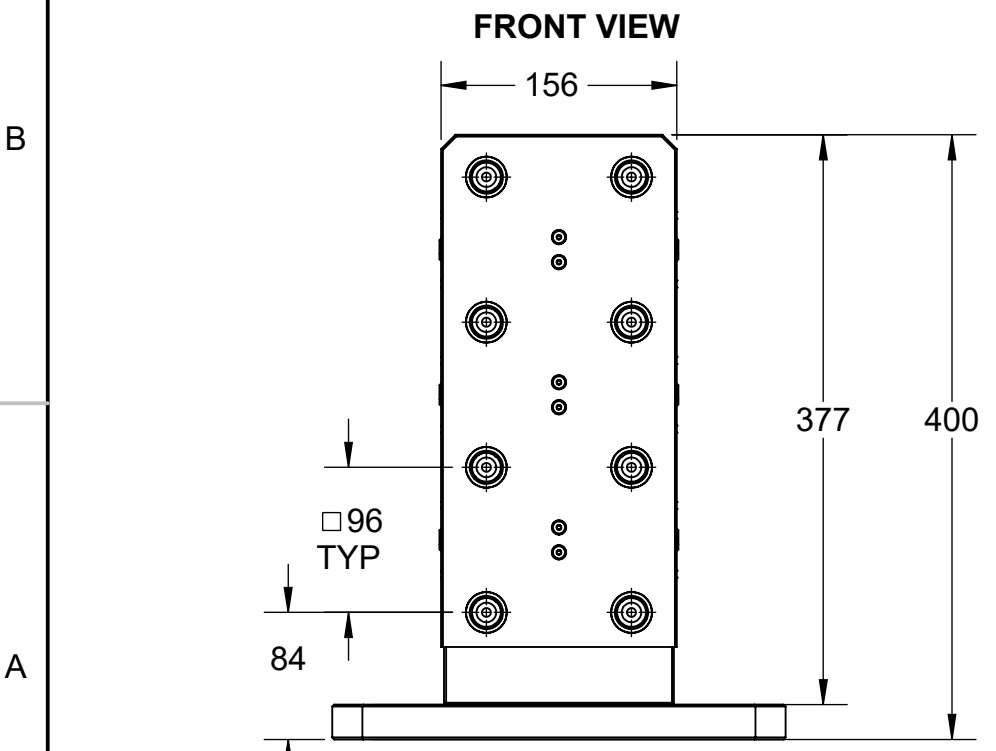
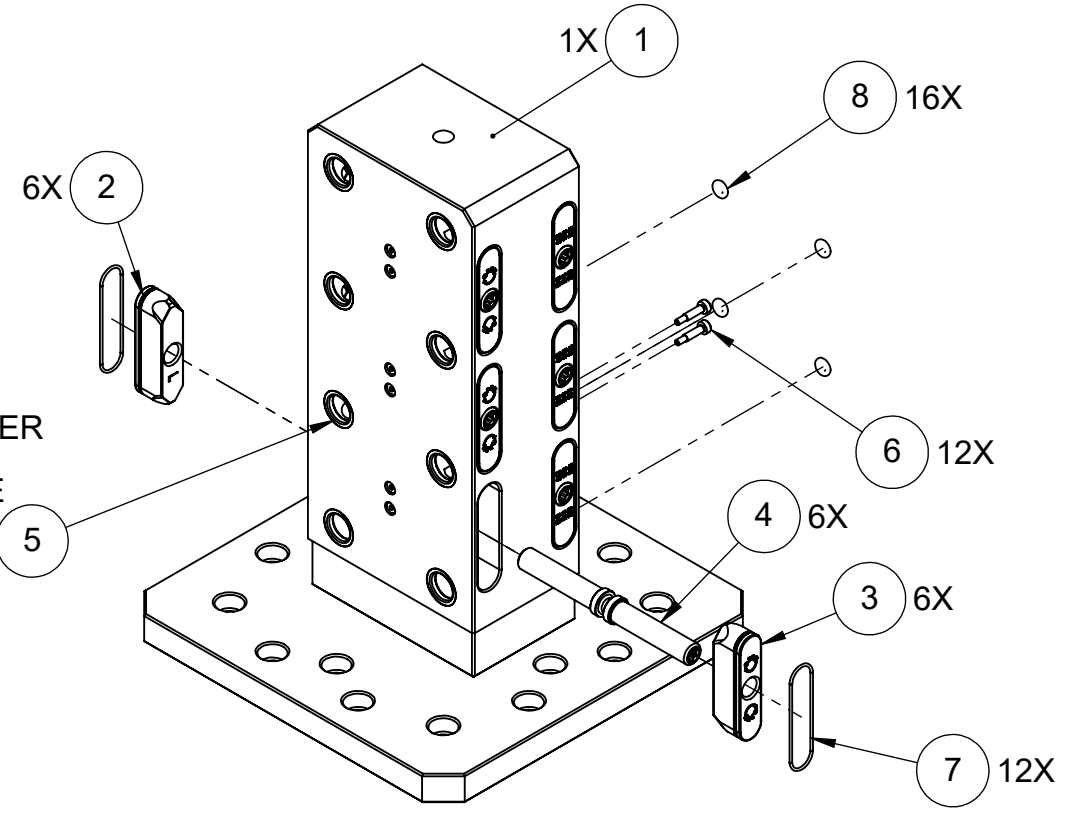
MATERIAL:
RL96A-3002-400: 6061 ALUMINUM BODY
RL96S-3002-400: STEEL BODY

RL96A-3002-400

RL96S-3002-400



NOTE:
 NOT CUSTOMER
 REMOVABLE/
 SERVICEABLE



ITEM NO.	PART NUMBER	DESCRIPTION	QTY.
1	RL96-3002-377A/S	96MM ROCKLOCK, 300MM BASE, 377MM 2-SIDE TOWER	1
2	RL96-2L	96MM ROCKLOCK, LOCK, LEFT	6
3	RL96-2R	96MM ROCKLOCK, LOCK, RIGHT	6
4	RL96-3	96MM ROCKLOCK, LEAD SCREW	6
5	HW27X20.DB	96MM ROCKLOCK BUSHING	16
6	SB54	SHOULDER BOLT 5MM DIAM 24MM LENGTH M4X0.7	12
7	-	BUNA-N O-RING, 1/16 - #033	12
8	-	BUNA-N O-RING, 1/8 - #202	16

MILLIMETER			
WWW.5THAXIS.COM			
7140 ENGINEER ROAD SAN DIEGO, CA 92111 P (858) 505-0432		DESCRIPTION ROCKLOCK™ 96MM TWO SIDED TOMBSTONE	
THIRD ANGLE PROJECTION	SIZE B	PART NO. RL96A-3002-400 / RL96S-3002-400	REV A
DO NOT SCALE DRAWING		SCALE 1:5	WEIGHT:
		SHEET 1 OF 1	