

8

7

6

5

4

3

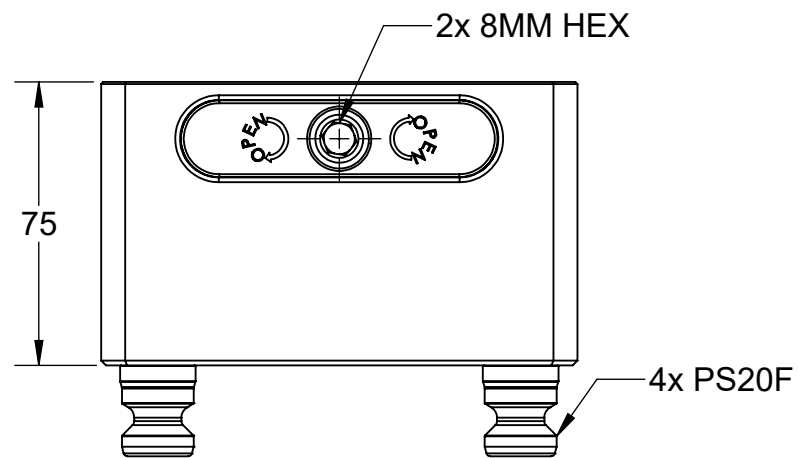
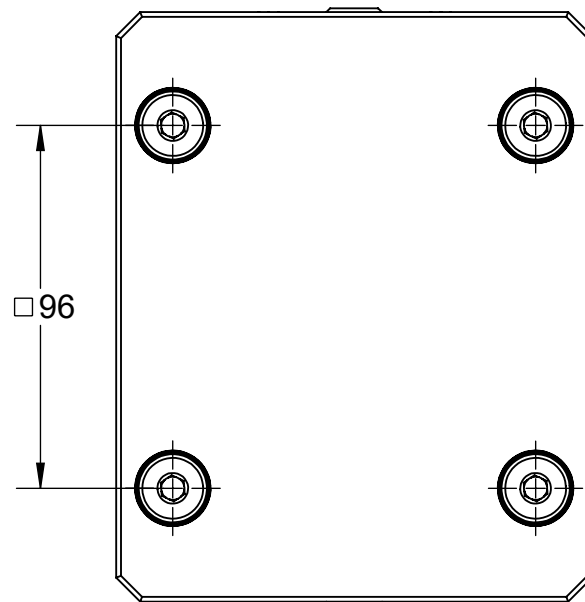
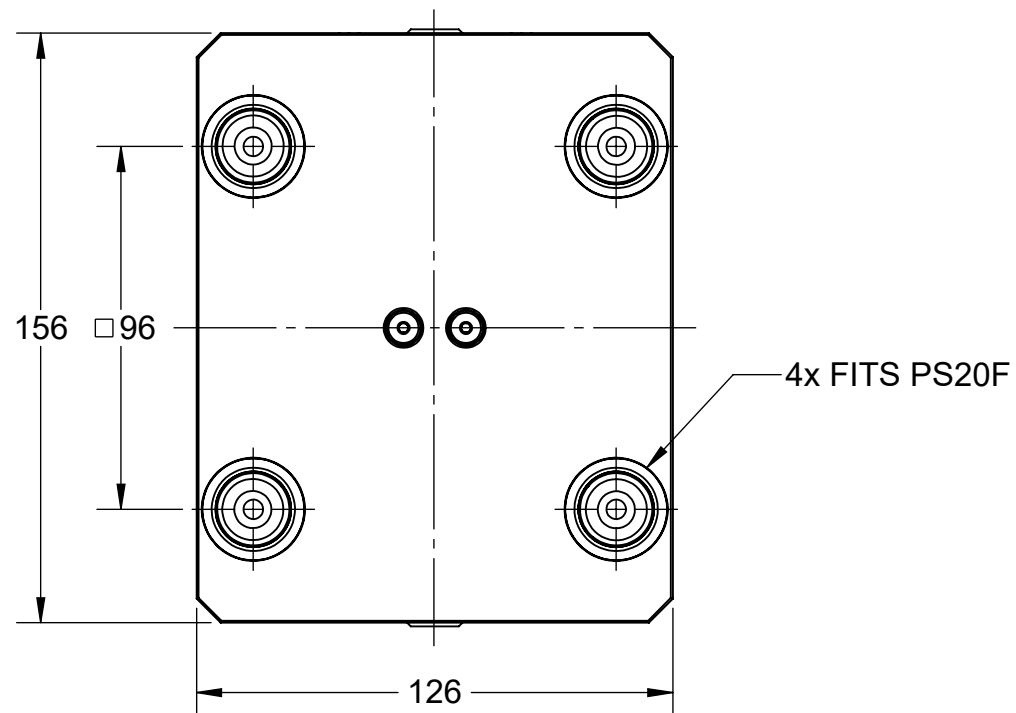
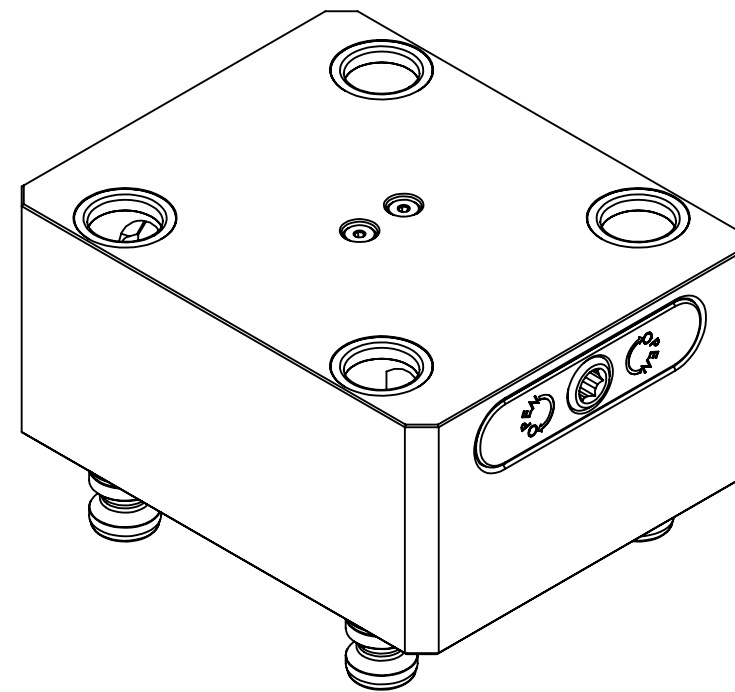
2


1

**MATERIAL:**  
**RL96A-356: 6061 ALUMINUM BODY**  
**RL96S-356: 1018 STEEL BODY**

# RL96A-356

# RL96S-356



<b>MILLIMETER</b>			
WWW.5THAXIS.COM 7140 ENGINEER ROAD SAN DIEGO, CA 92111 P (858) 505-0432			
THIRD ANGLE PROJECTION		DESCRIPTION <b>ROCKLOCK™ 96MM RISER ADAPTER</b>	
SIZE	PART NO.	REV	
<b>B</b>	<b>RL96A-356 / RL96S-356</b>	<b>B</b>	
DO NOT SCALE DRAWING		SCALE 1:2	WEIGHT:
		SHEET 1 OF 2	

8

7

6

5

4

3

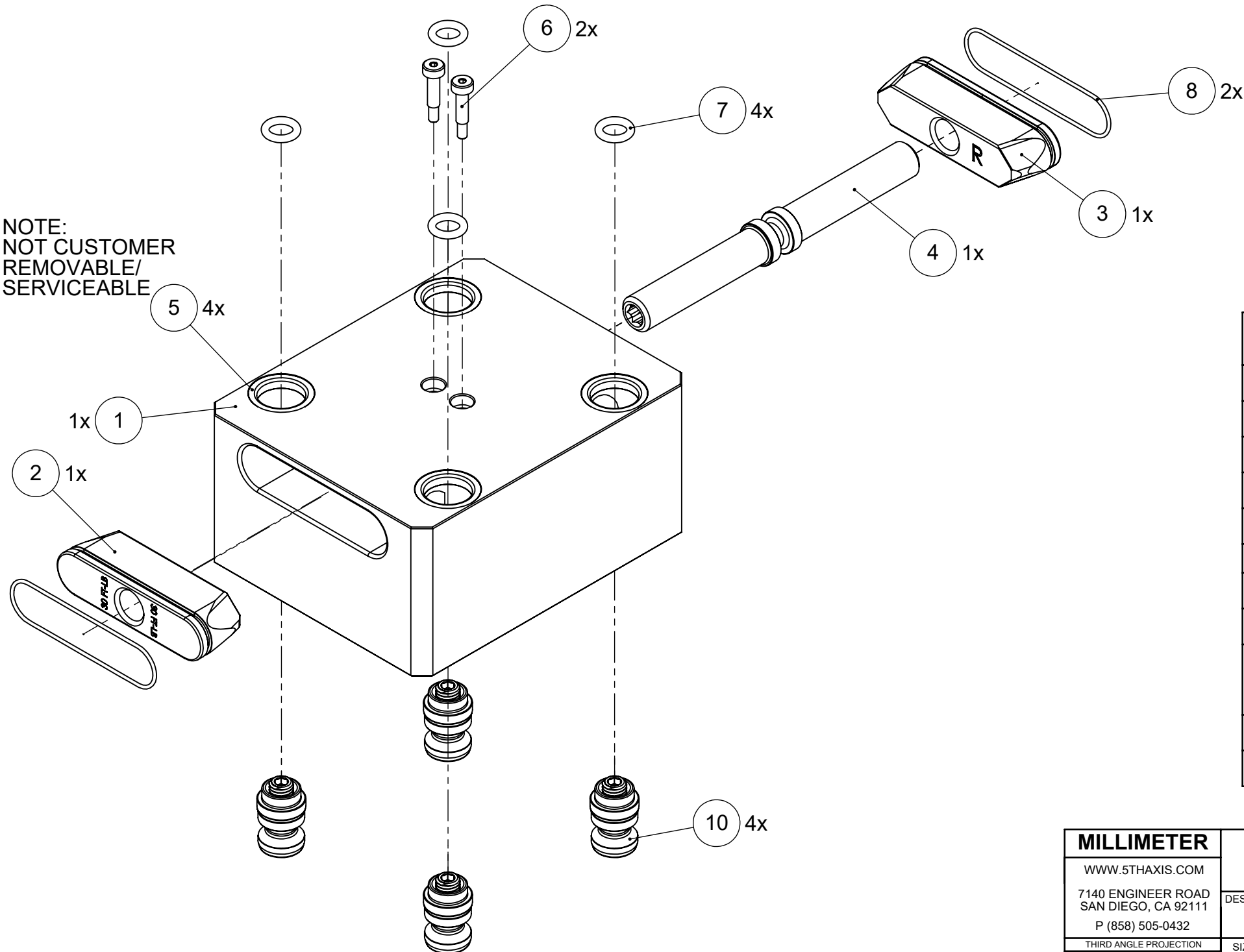
2

1

**MATERIAL:**  
 RL96A-356: 6061 ALUMINUM BODY  
 RL96S-356: 1018 STEEL BODY

# RL96A-356 RL96S-356

NOTE:  
NOT CUSTOMER  
REMOVABLE/  
SERVICEABLE



ITEM NO.	PART NUMBER	DESCRIPTION	QTY.
1	RL96-1356A/S	ROCKLOCK™ RISER	1
2	RL96-2L	LEFT ROCKLOCK™ TRUCK	1
3	RL96-2R	RIGHT ROCKLOCK™ TRUCK	1
4	RL96-3	ROCKLOCK™ LEAD SCREW	1
5	27X20.DB	PRECISION BUSHING	4
6	SB54	SHOULDER BOLT	2
7	-	BUNA-N O-RING, 1/8 - #202	4
8	-	BUNA-N O-RING, 1/16 - #033	2
9	MCMASTER 9750K73	POLYETHYLENE PANEL PLUGS 19-20mm (NOT SHOWN)	4
10	PS20F	96mm PULL STUD	4
FOR REFERENCE ONLY - NOT FOR RESALE			

<b>MILLIMETER</b>			
WWW.5THAXIS.COM		<b>ROCKLOCK™ 96MM RISER ADAPTER</b>	
7140 ENGINEER ROAD SAN DIEGO, CA 92111 P (858) 505-0432			
THIRD ANGLE PROJECTION		DESCRIPTION	REV
		SIZE	REV
		<b>B</b>	<b>B</b>
DO NOT SCALE DRAWING		SCALE 1:2	WEIGHT:
			SHEET 2 OF 2