

8

7

6

5

4

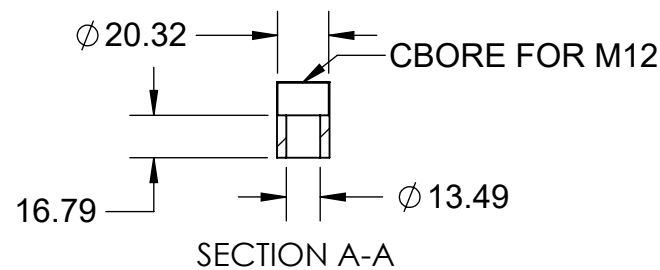
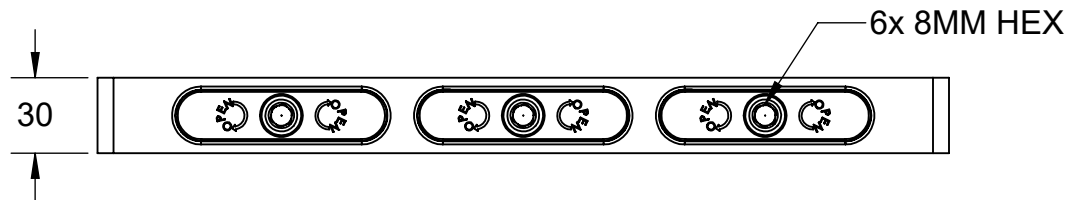
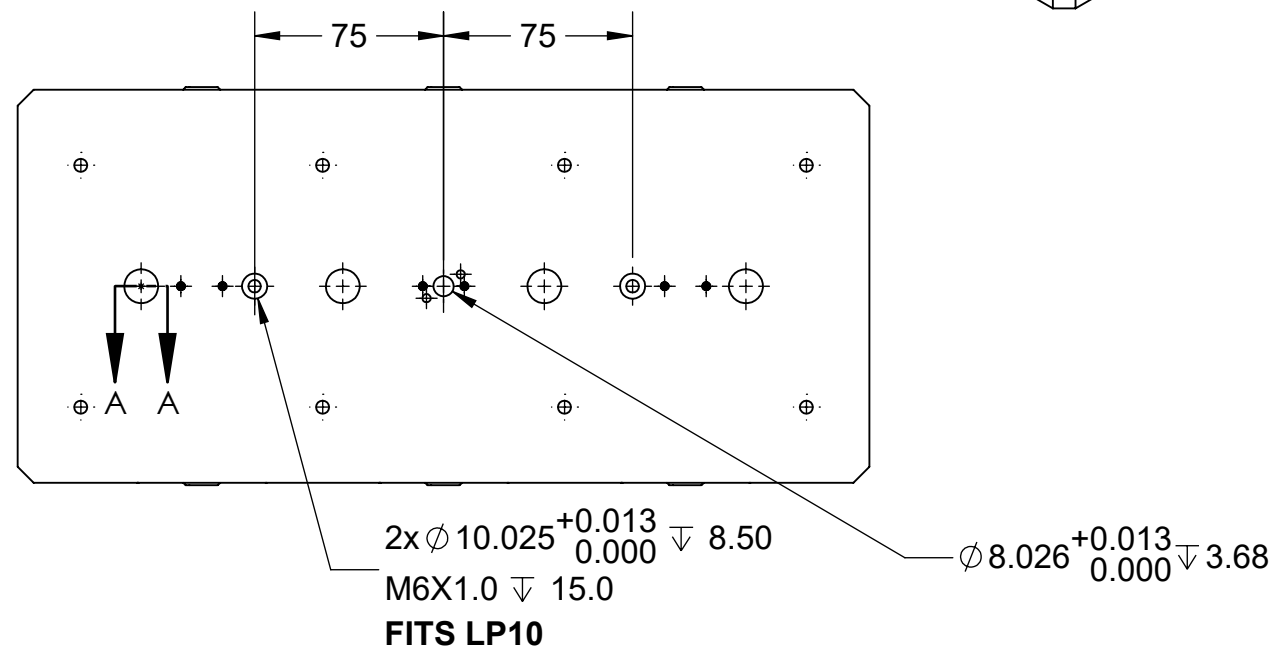
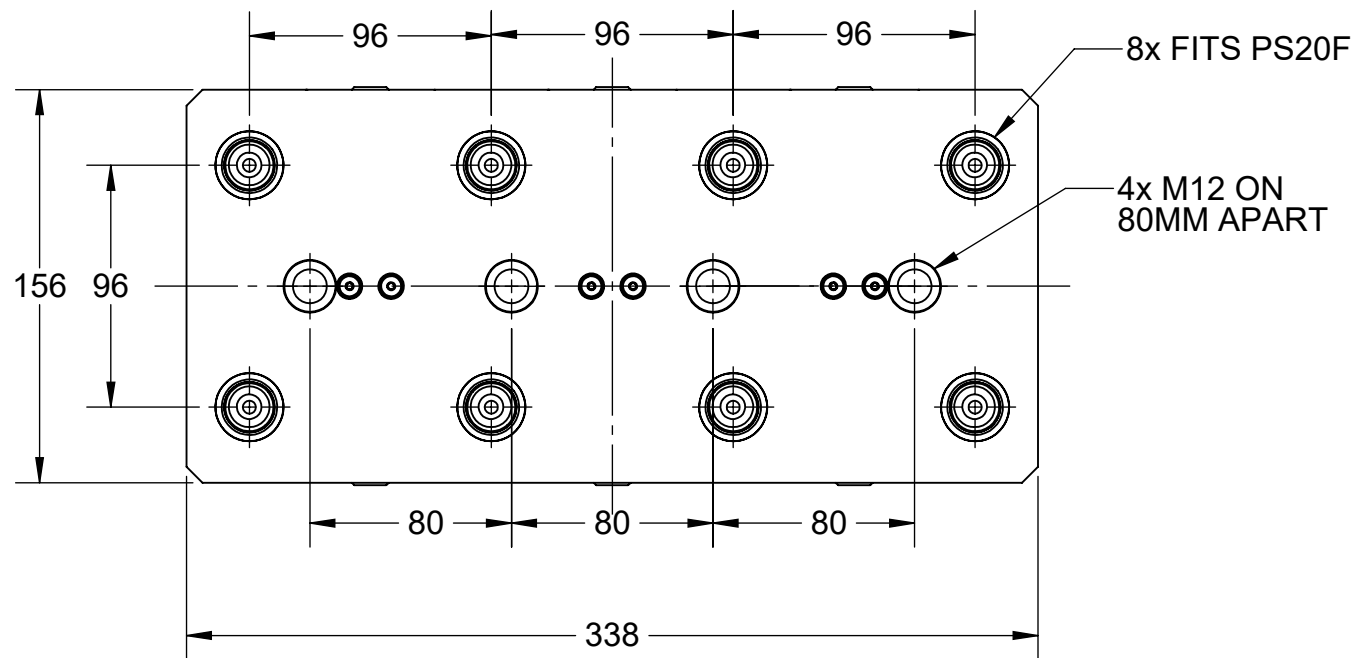
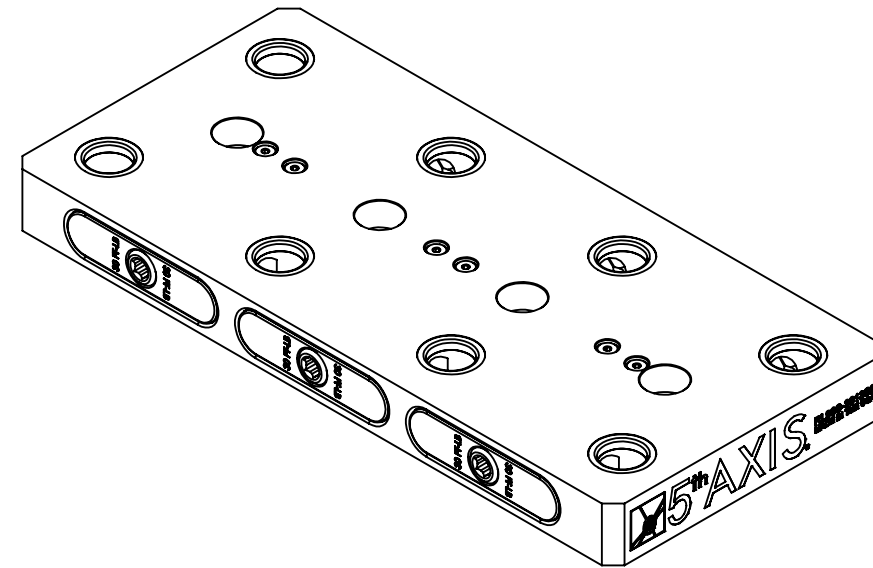
3

2

1

MATERIAL:
RL96A-3613S2: 6061 ALUMINUM BODY

RL96A-3613S2



MILLIMETER			
WWW.5THAXIS.COM			
7140 ENGINEER ROAD SAN DIEGO, CA 92111 P (858) 505-0432		DESCRIPTION ROCKLOCK™ 96MM MULTI-POSITION LOW-PROFILE BASE	
THIRD ANGLE PROJECTION	SIZE B	PART NO. RL96A-3613S2	REV B
DO NOT SCALE DRAWING		SCALE 1:3	WEIGHT:
		SHEET 1 OF 2	

8

7

6

5

4

3

2

1

D

D

C

C

B

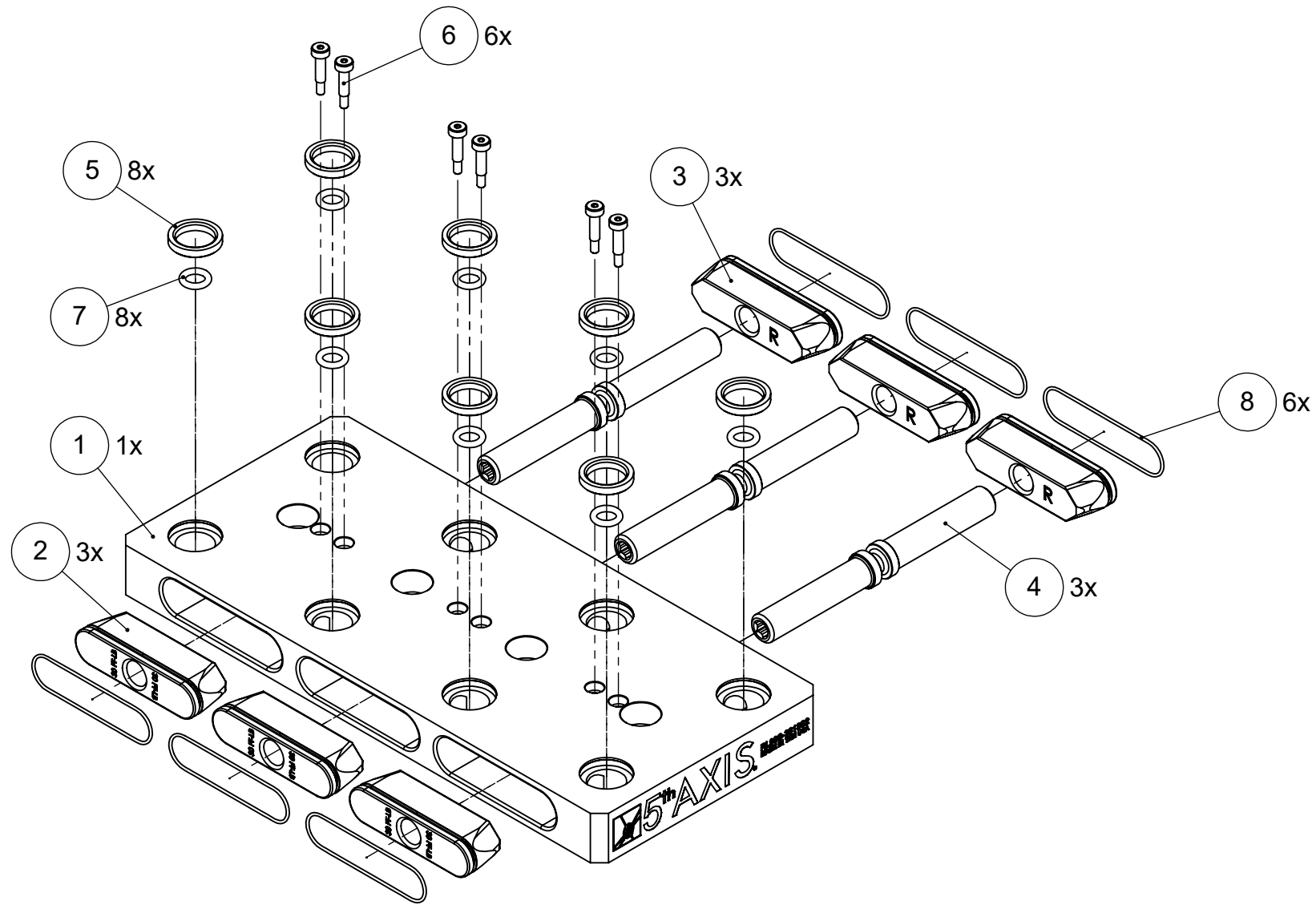
B

A

A

MATERIAL:
RL96A-3613S2: 6061 ALUMINUM BODY

RL96A-3613S2



ITEM NO.	PART NUMBER	DESCRIPTION	QTY.
1	RL96-1613S2A	ROCKLOCK™ BASE	1
2	RL96-2L	LEFT ROCKLOCK™ TRUCK	3
3	RL96-2R	RIGHT ROCKLOCK™ TRUCK	3
4	RL96-3	ROCKLOCK™ LEAD SCREW	3
5	27X20.DB	PRECISION BUSHING	8
6	SB54	SHOULDER BOLT	6
7	-	BASE O-RING	8
8	-	BUNA-N O-RING, 1/16 - #033	6
9	MCMASTER 9750K73	POLYETHYLENE PANEL PLUGS 19-20mm (NOT SHOWN)	8
FOR REFERENCE ONLY - NOT FOR RESALE			

MILLIMETER			
WWW.5THAXIS.COM		ROCKLOCK™ 96MM MULTI-POSITION LOW-PROFILE BASE	
7140 ENGINEER ROAD SAN DIEGO, CA 92111 P (858) 505-0432			
THIRD ANGLE PROJECTION		SIZE B	PART NO. RL96A-3613S2
		DO NOT SCALE DRAWING	
		SCALE 1:3	WEIGHT:
SHEET 2 OF 2			