

8

7

6

5

4

3

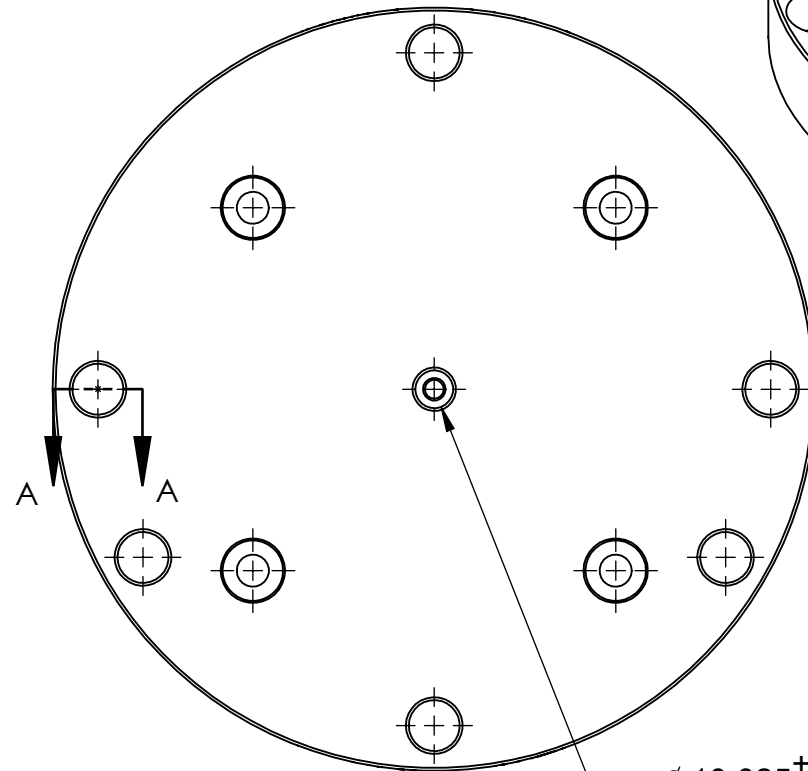
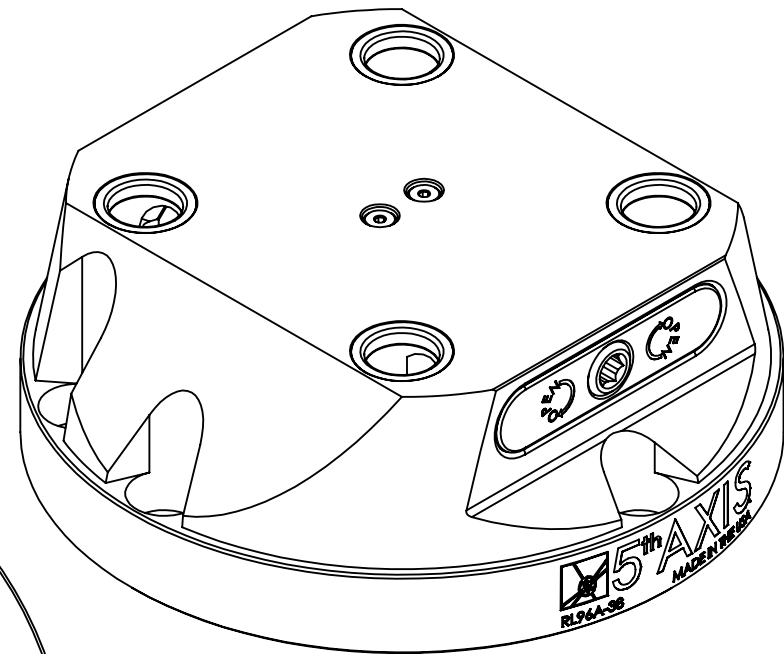
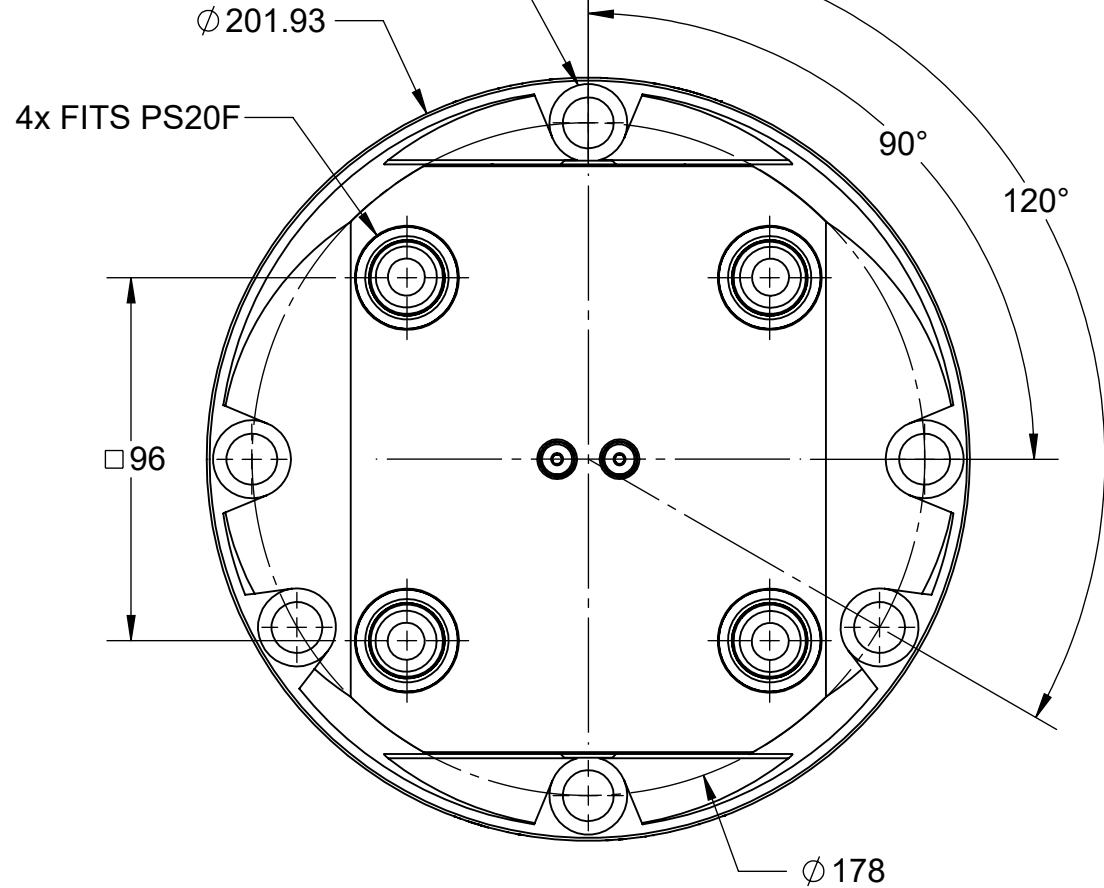
2

1

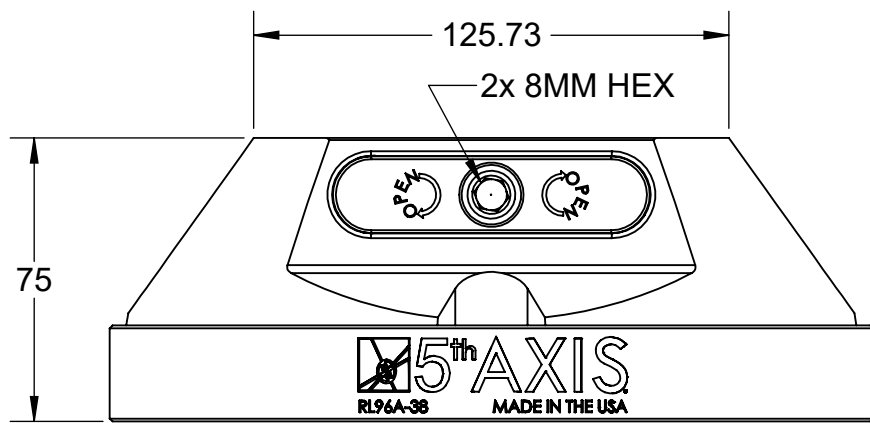
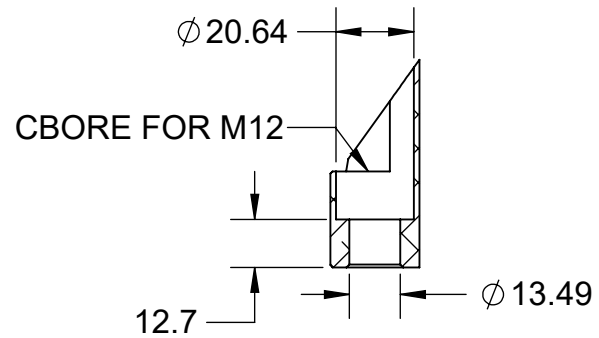
MATERIAL:
RL96A-38: 6061 ALUMINUM BODY


RL96A-38

4x M12 AT 90° ON 178MM PCD
3x M12 AT 120° ON 178MM PCD



$\phi 10.025^{+0.013}_{0.000} \nabla 8.50$
M6X1.0 $\nabla 15.0$
FITS LP10



MILLIMETER			
WWW.5THAXIS.COM			
7140 ENGINEER ROAD SAN DIEGO, CA 92111 P (858) 505-0432		DESCRIPTION ROCKLOCK™ 96MM RISER	
THIRD ANGLE PROJECTION	SIZE B	PART NO. RL96A-38	REV B
DO NOT SCALE DRAWING		SCALE 1:2	WEIGHT:
		SHEET 1 OF 2	

8

7

6

5

4

3

2

1

D

D

C

C

B

B

A

A

8

7

6

5

4

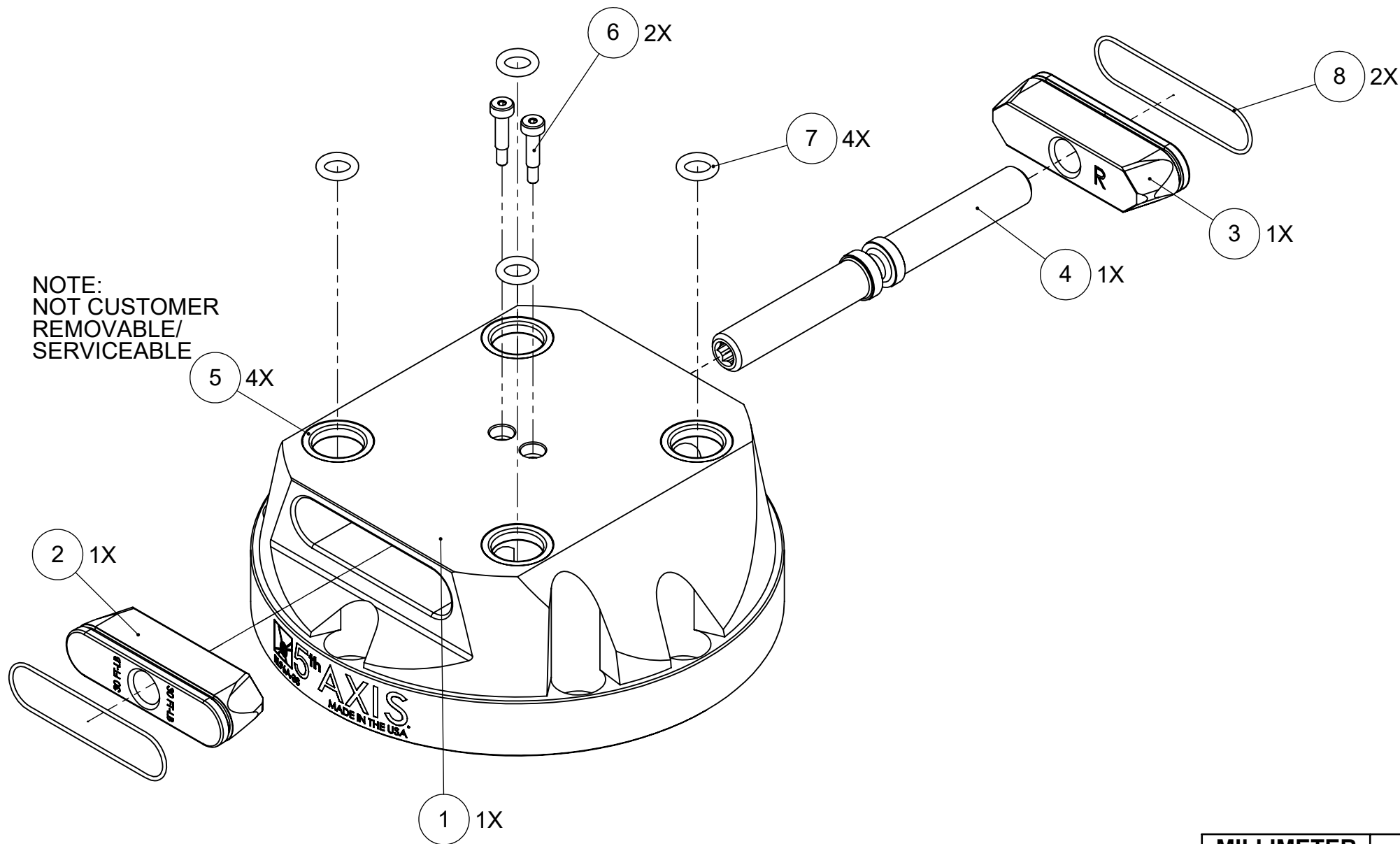
3

2

1

MATERIAL:
RL96A-38: 6061 ALUMINUM BODY

RL96A-38



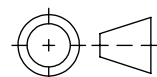
NOTE:
NOT CUSTOMER
REMOVABLE/
SERVICEABLE

ITEM NO.	PART NUMBER	DESCRIPTION	QTY.
1	RL96-138A	ROCKLOCK™ RISER	1
2	RL96-2L	LEFT ROCKLOCK™ TRUCK	1
3	RL96-2R	RIGHT ROCKLOCK™ TRUCK	1
4	RL96-3	ROCKLOCK™ LEAD SCREW	1
5	27X20.DB	PRECISION BUSHING	4
6	SB54	SHOULDER BOLT	2
7	-	BUNA-N O-RING, 1/8 - #202	4
8	-	BUNA-N O-RING, 1/16 - #033	2
9	MCMASTER 9750K73	POLYETHYLENE PANEL PLUGS 19-20mm (NOT SHOWN)	4
FOR REFERENCE ONLY - NOT FOR RESALE			

MILLIMETER

WWW.5THAXIS.COM
7140 ENGINEER ROAD
SAN DIEGO, CA 92111
P (858) 505-0432

THIRD ANGLE PROJECTION



DESCRIPTION

ROCKLOCK™ 96MM RISER

SIZE
B

PART NO.

RL96A-38

REV
B

DO NOT SCALE DRAWING

SCALE 1:2

WEIGHT:

SHEET 2 OF 2

8

7

6

5

4

3

2

1

D

D

C

C

B

B

A

A