

8

7

6

5

4

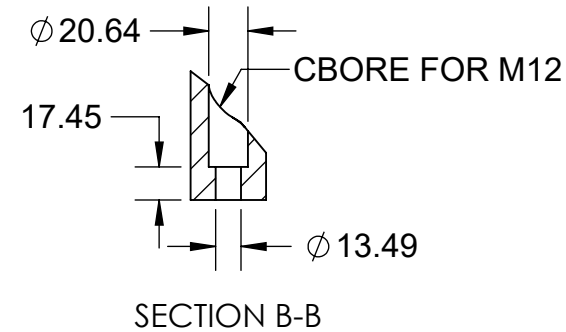
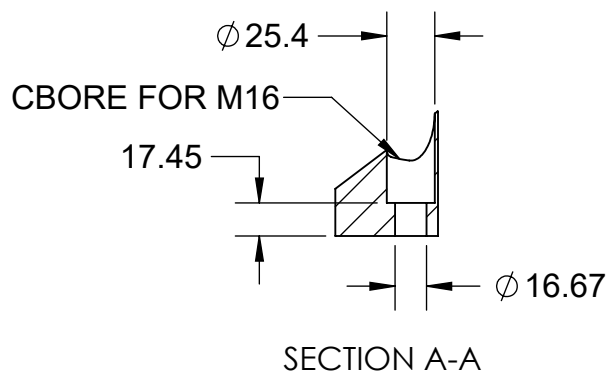
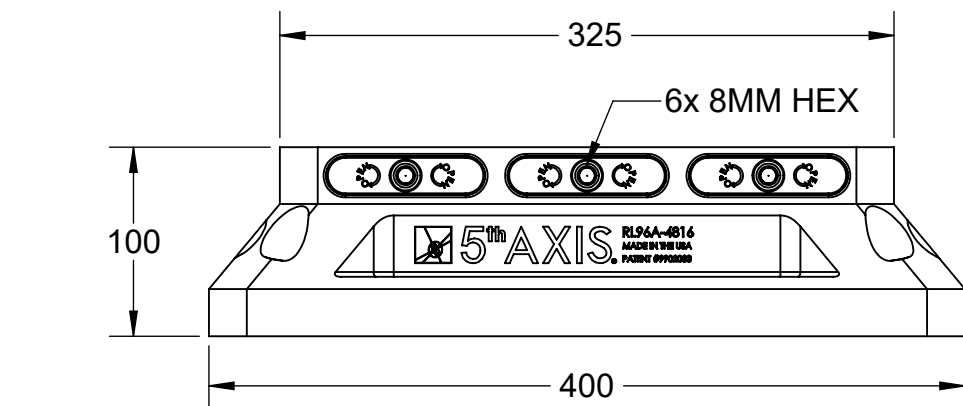
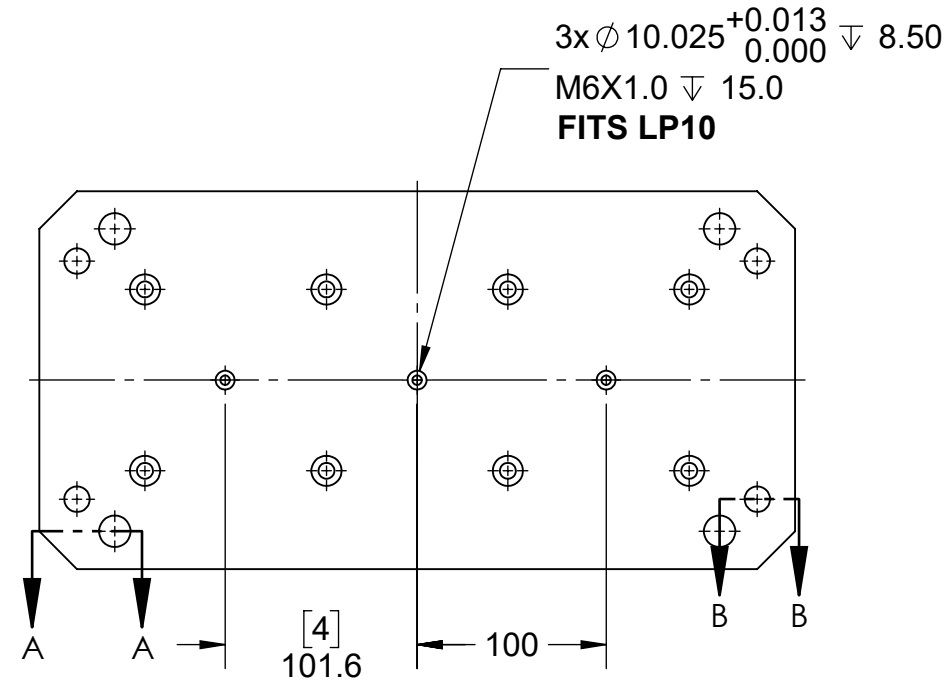
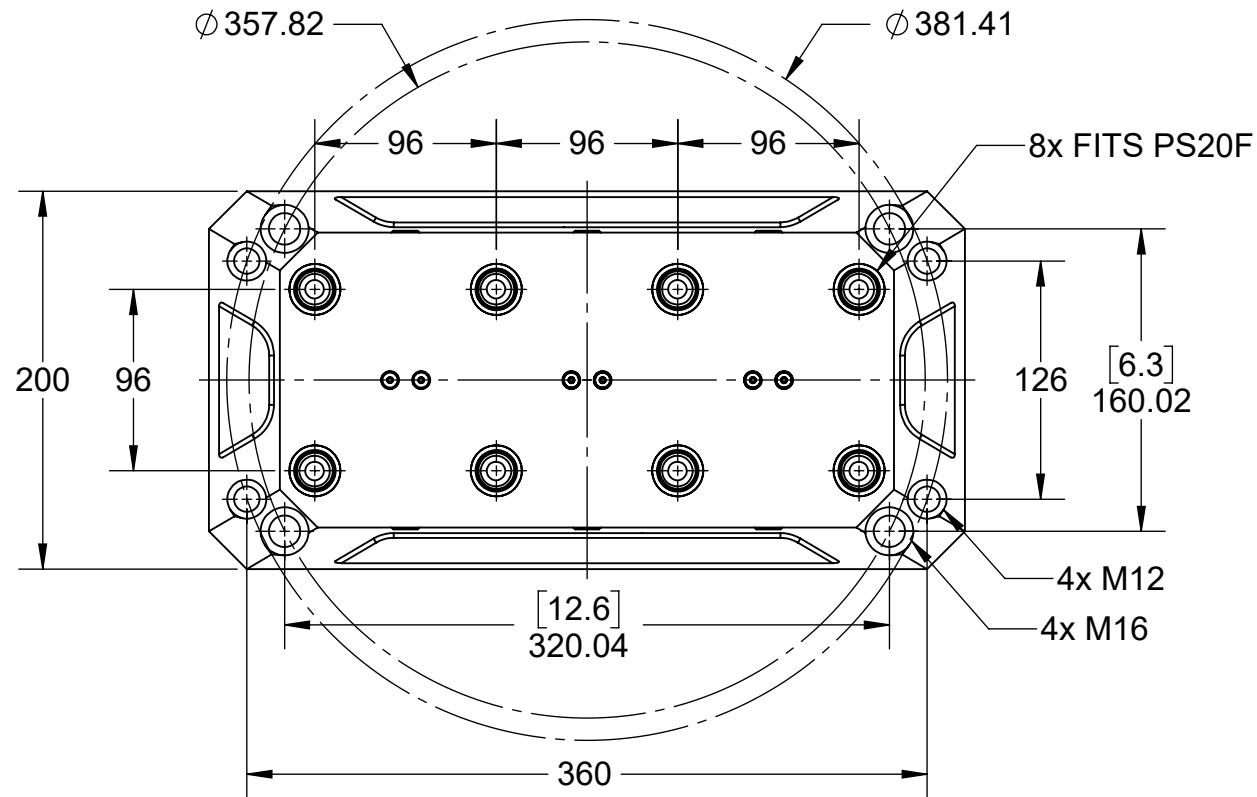
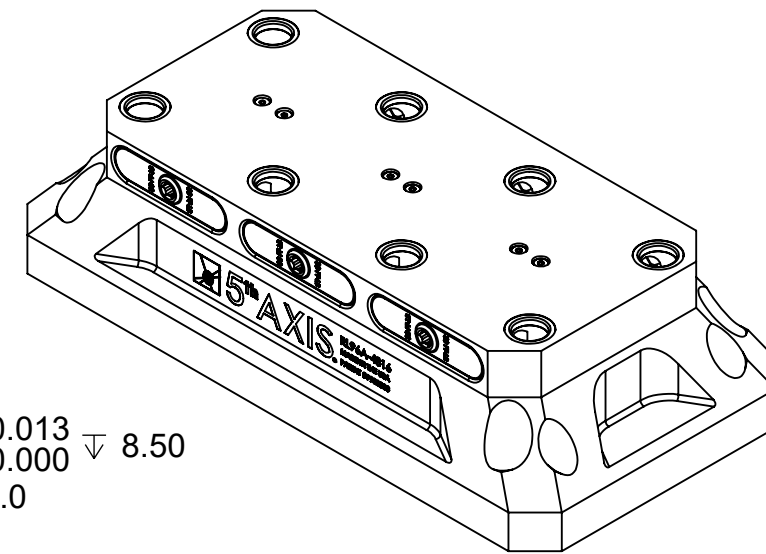
3

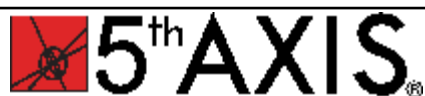
2

1

**MATERIAL:**  
**RL96A-4816: 6061 ALUMINUM BODY**

# RL96A-4816



<b>MILLIMETER</b>			
WWW.5THAXIS.COM			
7140 ENGINEER ROAD SAN DIEGO, CA 92111 P (858) 505-0432		DESCRIPTION <b>ROCKLOCK™ 96MM MULTI-POSITION RISER</b>	
THIRD ANGLE PROJECTION	SIZE <b>B</b>	PART NO. <b>RL96A-4816</b>	REV <b>B</b>
DO NOT SCALE DRAWING		SCALE 1:4	WEIGHT: 5.93 kg
		SHEET 1 OF 2	

8

7

6

5

4

3

2

1

D

D

C

C

B

B

A

A

8

7

6

5

4

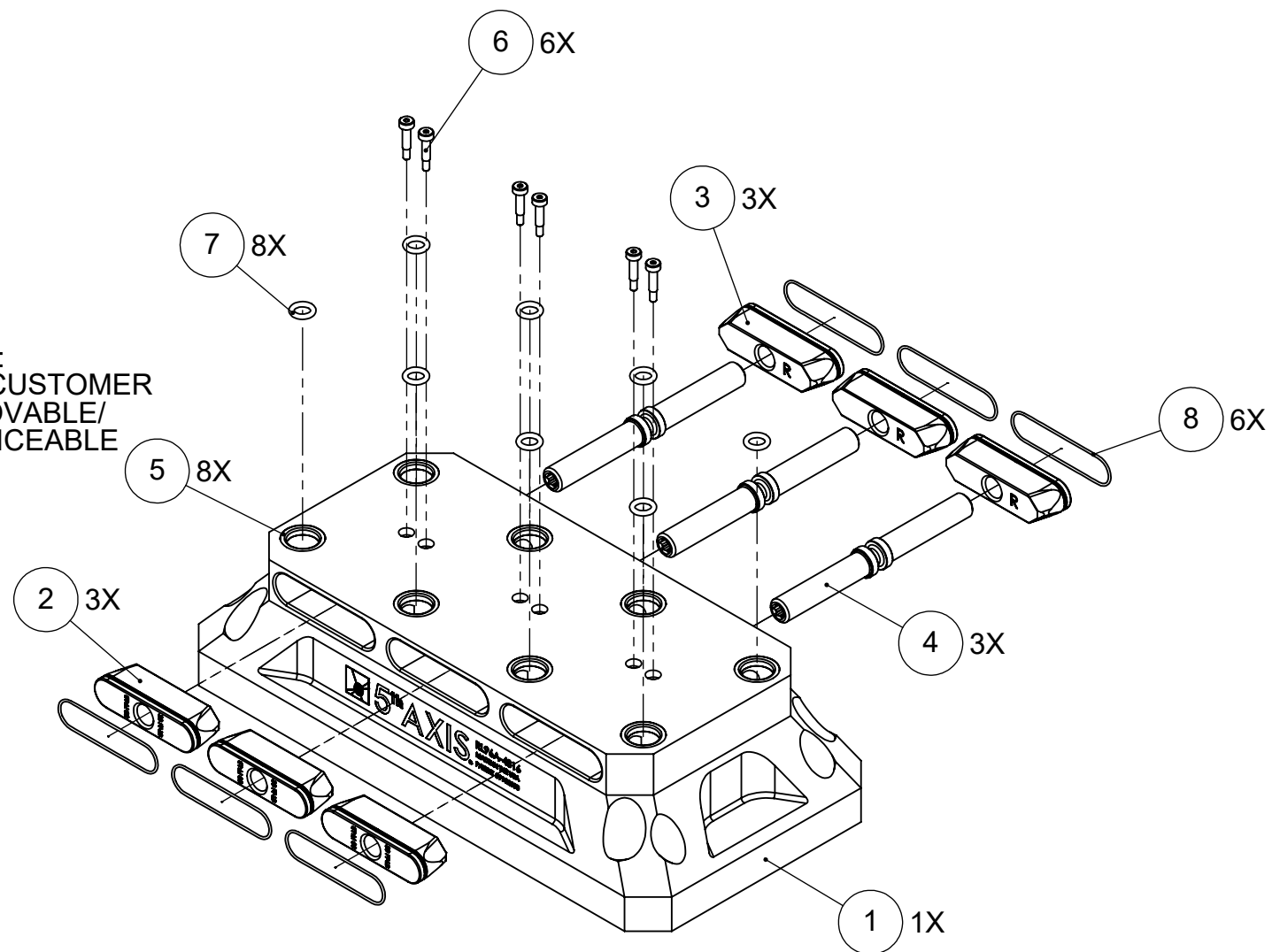
3

2

1

**MATERIAL:**  
**RL96A-4816: 6061 ALUMINUM BODY**

# RL96A-4816



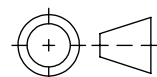
NOTE:  
NOT CUSTOMER  
REMOVABLE/  
SERVICEABLE

ITEM NO.	PART NUMBER	DESCRIPTION	QTY.
1	RL96-14816A	ROCKLOCK™ RISER	1
2	RL96-2L	LEFT ROCKLOCK™ TRUCK	3
3	RL96-2R	RIGHT ROCKLOCK™ TRUCK	3
4	RL96-3	ROCKLOCK™ LEAD SCREW	3
5	27X20.DB	PRECISION BUSHING	8
6	SB54	SHOULDER BOLT	6
7	-	BUNA-N O-RING, 1/8 - #202	8
8	-	BUNA-N O-RING, 1/16 - #033	6
9	MCMASTER 9750K73	POLYETHYLENE PANEL PLUGS 19-20mm (NOT SHOWN)	8
<b>FOR REFERENCE ONLY - NOT FOR RESALE</b>			

**MILLIMETER**

WWW.5THAXIS.COM  
7140 ENGINEER ROAD  
SAN DIEGO, CA 92111  
P (858) 505-0432

THIRD ANGLE PROJECTION



DESCRIPTION  
**ROCKLOCK™ 96MM MULTI-POSITION RISER**

SIZE <b>B</b>	PART NO. <b>RL96A-4816</b>	REV <b>B</b>
------------------	-------------------------------	-----------------

DO NOT SCALE DRAWING	SCALE 1:4	WEIGHT:	SHEET 2 OF 2
----------------------	-----------	---------	--------------

8

7

6

5

4

3

2

1