

8

7

6

5

4

3

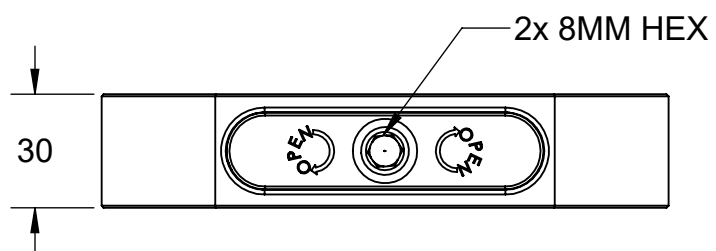
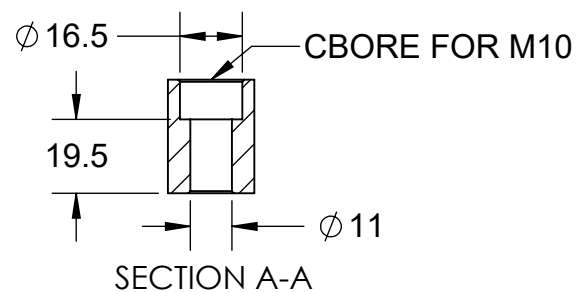
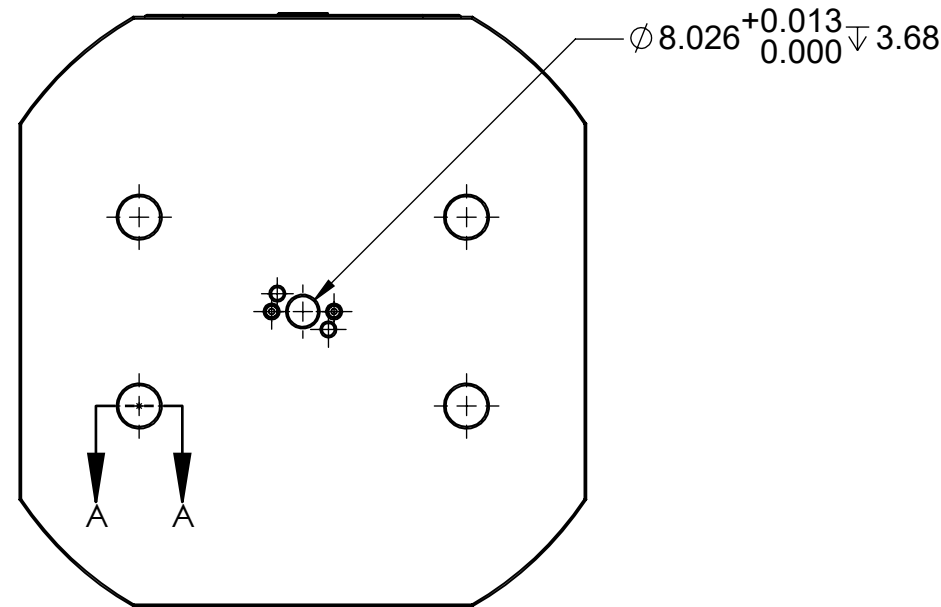
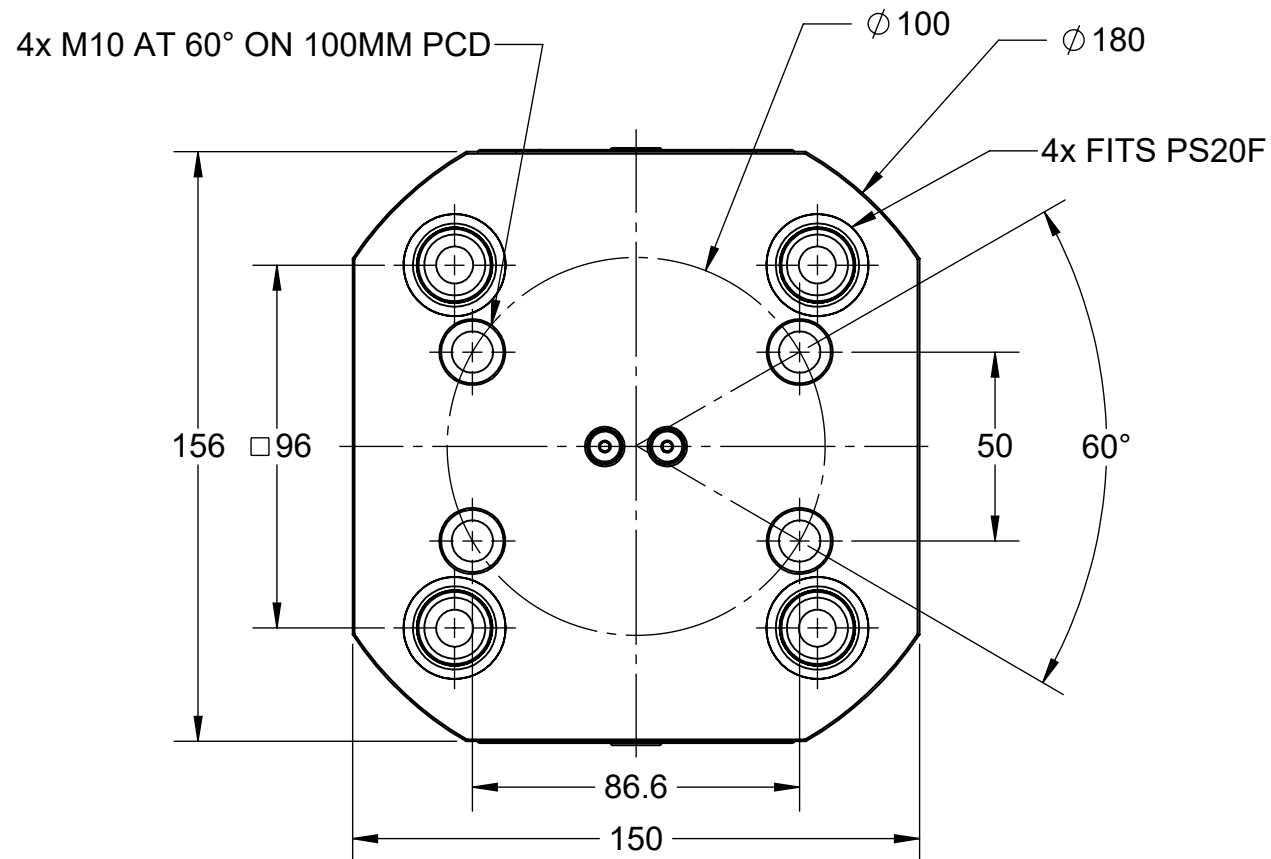
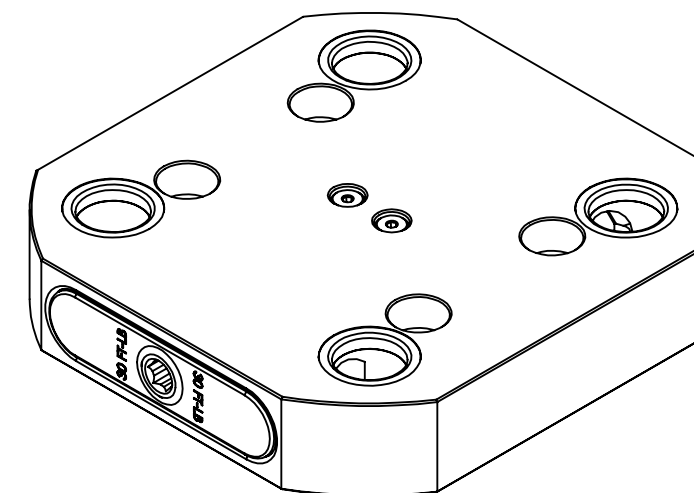
2

1

MATERIAL:
 RL96A-60100: 6061 ALUMINUM BODY
 RL96S-60100: 1018 STEEL BODY

RL96A-60100

RL96S-60100



MILLIMETER				
WWW.5THAXIS.COM 7140 ENGINEER ROAD SAN DIEGO, CA 92111 P (858) 505-0432				
THIRD ANGLE PROJECTION		DESCRIPTION	ROCKLOCK™ 96MM LOW-PROFILE BASE	
SIZE	PART NO.	RL96A-60100 / RL96S-60100		REV
B				B
DO NOT SCALE DRAWING		SCALE 1:2	WEIGHT:	SHEET 1 OF 2

8

7

6

5

4

3

2

1

D

D

C

C

B

B

A

A

8

7

6

5

4

3

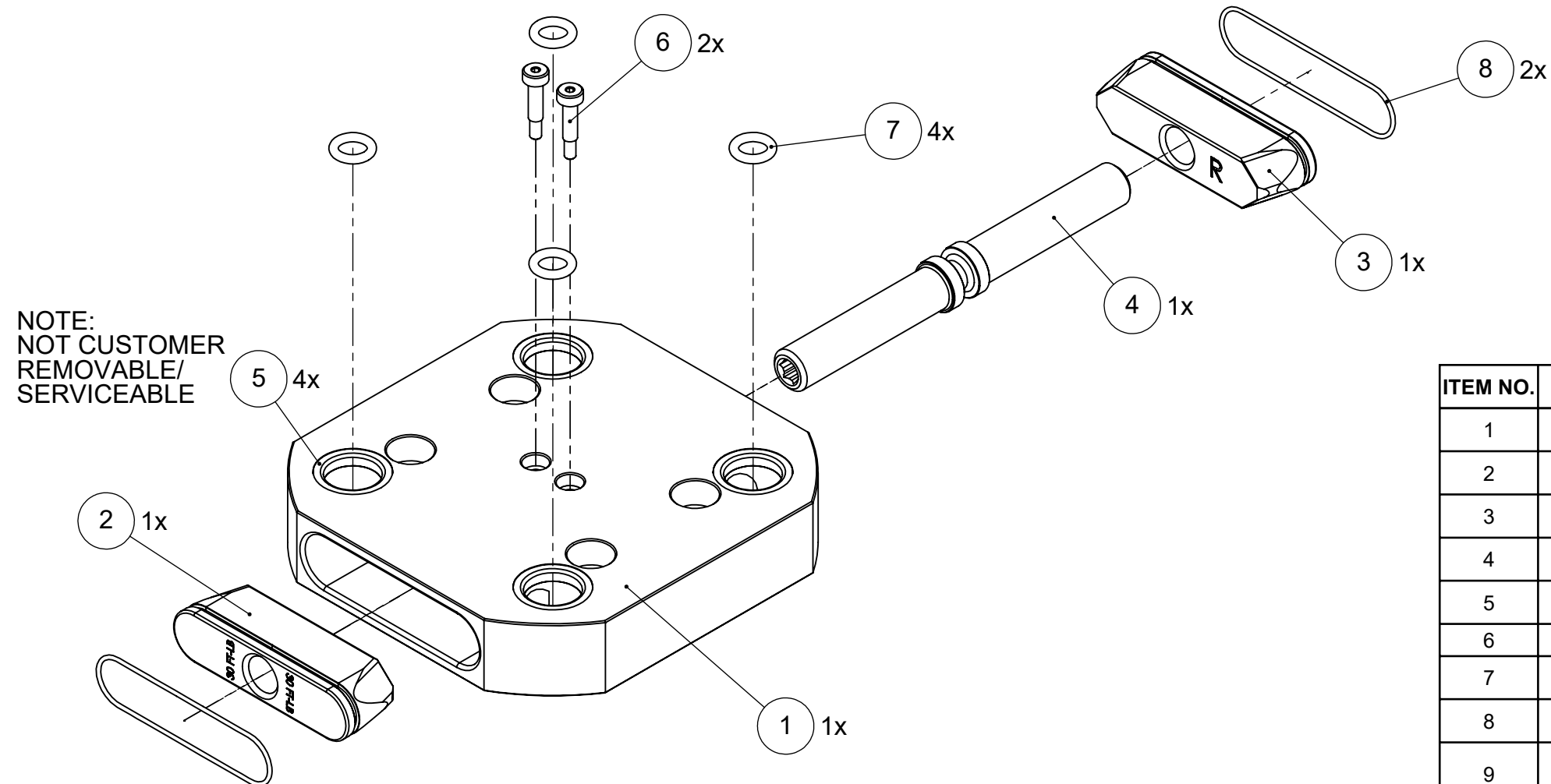
2

1

MATERIAL:

RL96A-60100: 6061 ALUMINUM BODY

RL96S-60100: 1018 STEEL BODY

RL96A-60100
RL96S-60100

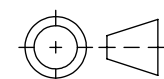
ITEM NO.	PART NUMBER	DESCRIPTION	QTY.
1	RL96-160100A/S	ROCKLOCK™ BASE	1
2	RL96-2L	LEFT ROCKLOCK™ TRUCK	1
3	RL96-2R	RIGHT ROCKLOCK™ TRUCK	1
4	RL96-3	ROCKLOCK™ LEAD SCREW	1
5	27X20.DB	PRECISION BUSHING	4
6	SB54	SHOULDER BOLT	2
7	-	BUNA-N O-RING, 1/8 - #202	4
8	-	BUNA-N O-RING, 1/16 - #033	2
9	MCMASTER 9750K73	POLYETHYLENE PANEL PLUGS 19-20mm (NOT SHOWN)	4

FOR REFERENCE ONLY - NOT FOR RESALE**MILLIMETER**

WWW.5THAXIS.COM

7140 ENGINEER ROAD
SAN DIEGO, CA 92111
P (858) 505-0432

THIRD ANGLE PROJECTION



DESCRIPTION

ROCKLOCK™ 96MM LOW-PROFILE BASE

SIZE

B

PART NO.

RL96A-60100 / RL96S-60100

REV

B

DO NOT SCALE DRAWING

SCALE 1:2

WEIGHT:

SHEET 2 OF 2

8

7

6

5

4

3

2

1