

8

7

6

5

4

3

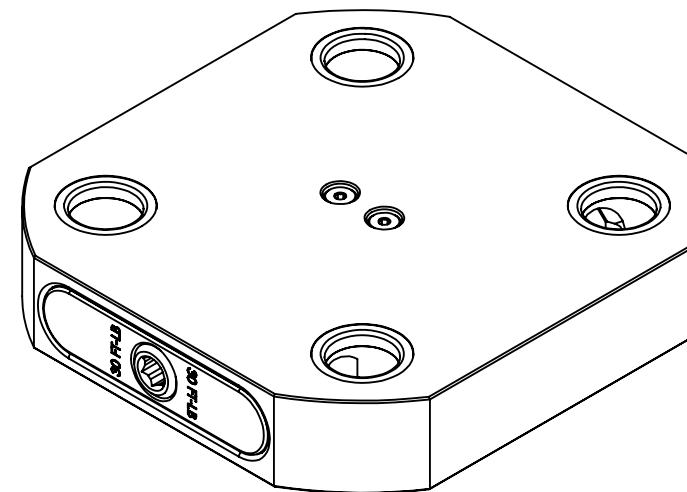
2

1

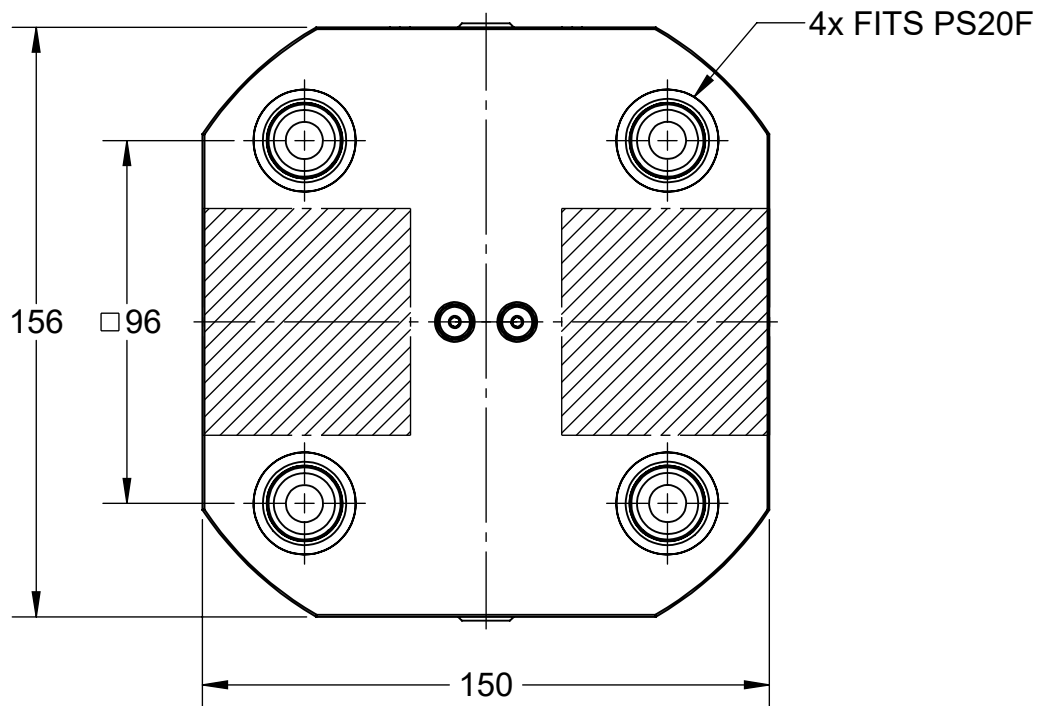
MATERIAL:
RL96A-66: 6061 ALUMINUM BODY
RL96S-66: 1018 STEEL BODY

RL96A-66

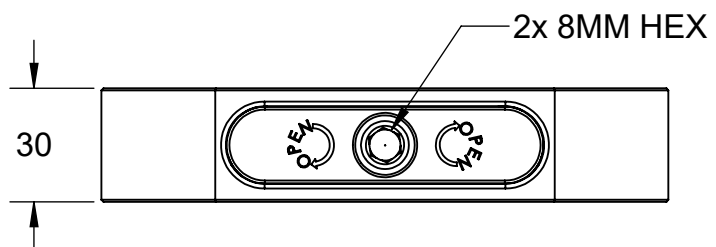
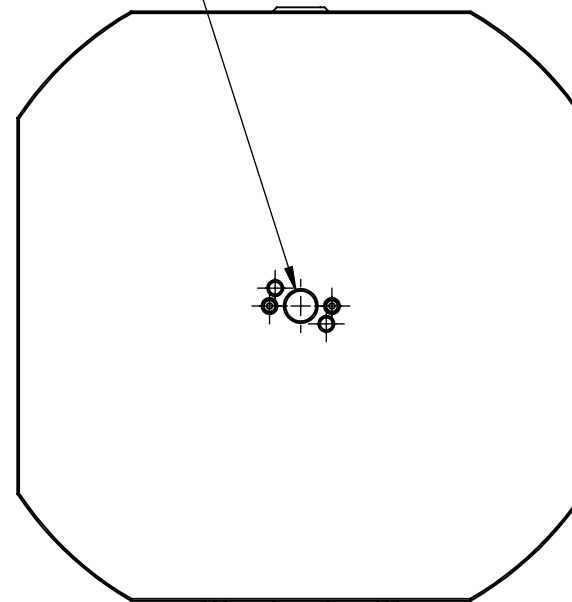
RL96S-66




DRILL YOUR OWN MOUNTING HOLES



$\varnothing 8.026^{+0.013}_{0.000} \nabla 3.68$



| | | | | | |
|--|--|---|---|------------------------|--|
| MILLIMETER | |  | | | |
| WWW.5THAXIS.COM 7140 ENGINEER ROAD SAN DIEGO, CA 92111 P (858) 505-0432 | | | | | DESCRIPTION ROCKLOCK™ 96MM LOW-PROFILE BASE |
| THIRD ANGLE PROJECTION | | SIZE B | PART NO. RL96A-66 / RL96S-66 | REV B | |
| DO NOT SCALE DRAWING | | SCALE 1:2 | WEIGHT: | SHEET 1 OF 3 | |

8

7

6

5

4

3

2

1

D

D

C

C

B

B

A

A

8

7

6

5

4

3

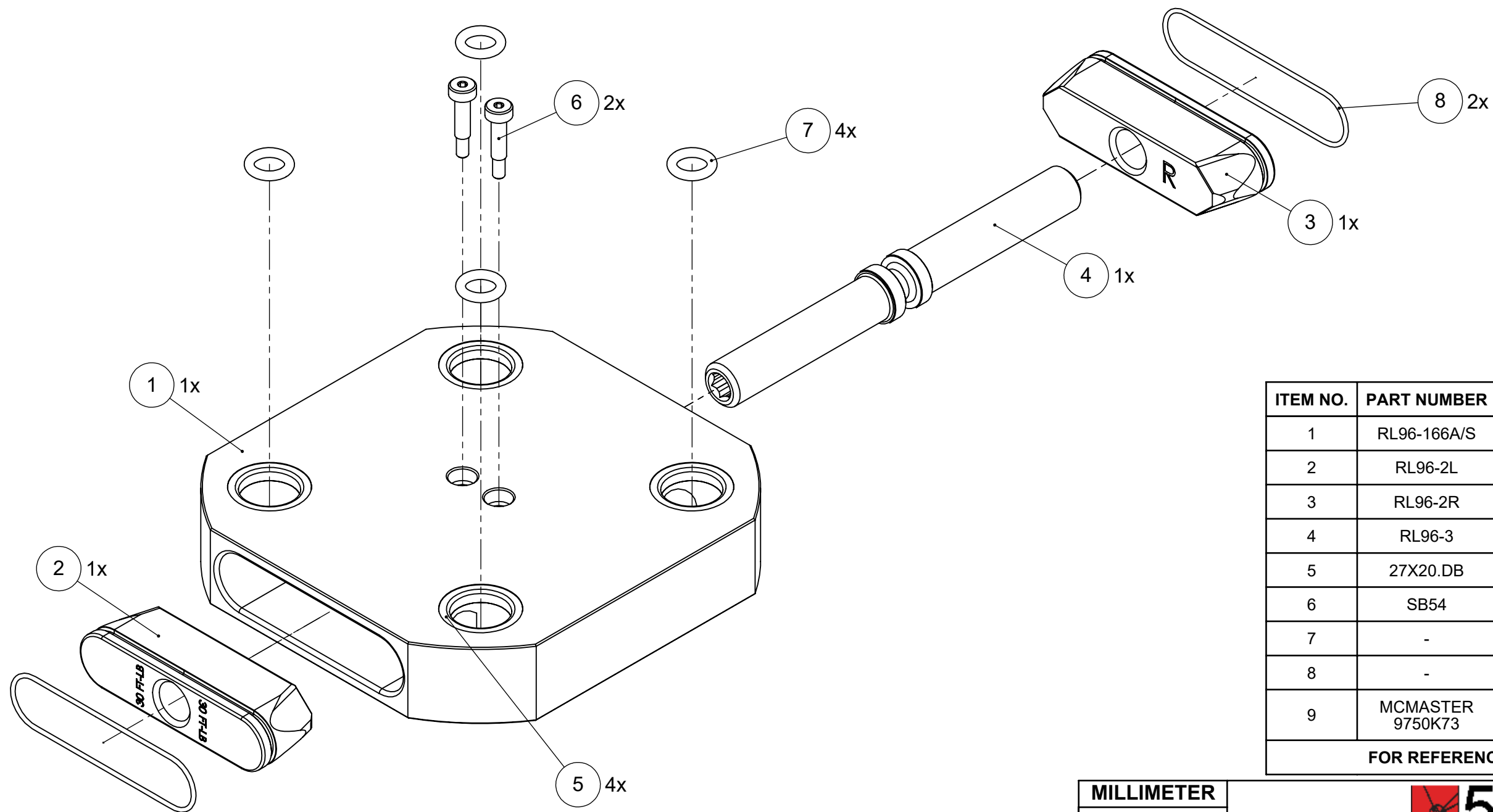
2

1

MATERIAL:

RL96A-66: 6061 ALUMINUM BODY

RL96S-66: 1018 STEEL BODY

RL96A-66
RL96S-66

| ITEM NO. | PART NUMBER | DESCRIPTION | QTY. |
|-------------------------------------|---------------------|---|------|
| 1 | RL96-166A/S | ROCKLOCK™ BASE | 1 |
| 2 | RL96-2L | LEFT ROCKLOCK™ TRUCK | 1 |
| 3 | RL96-2R | RIGHT ROCKLOCK™ TRUCK | 1 |
| 4 | RL96-3 | ROCKLOCK™ LEAD SCREW | 1 |
| 5 | 27X20.DB | PRECISION BUSHING | 4 |
| 6 | SB54 | SHOULDER BOLT | 2 |
| 7 | - | BUNA-N O-RING, 1/8 - #202 | 4 |
| 8 | - | BUNA-N O-RING, 1/16 - #033 | 2 |
| 9 | MCMASTER 9750K73 | POLYETHYLENE PANEL PLUGS 19-20mm (NOT SHOWN) | 4 |
| FOR REFERENCE ONLY - NOT FOR RESALE | | | |

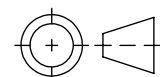
NOTE:
NOT CUSTOMER
REMOVABLE/
SERVICEABLE

MILLIMETER

WWW.5THAXIS.COM

7140 ENGINEER ROAD
SAN DIEGO, CA 92111
P (858) 505-0432

THIRD ANGLE PROJECTION



DESCRIPTION

ROCKLOCK™ 96MM LOW-PROFILE BASE

SIZE

B

PART NO.

RL96A-66 / RL96S-66

REV

B

DO NOT SCALE DRAWING

SCALE 1:2

WEIGHT:

SHEET 2 OF 3

8

7

6

5

4

3

2

1

8

7

6

5

4

3

2

1

MATERIAL:

RL96A-66: 6061 ALUMINUM BODY

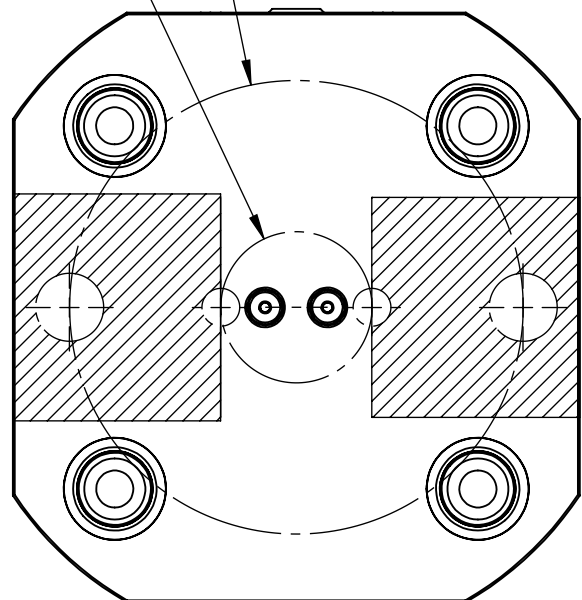
RL96S-66: 1018 STEEL BODY

RL96A-66

RL96S-66

2x M12 AT 180° ON ϕ 120 PCD

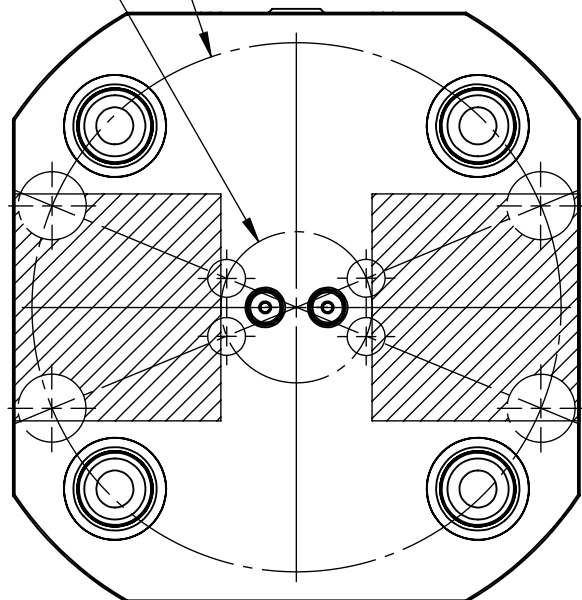
2x M6 AT 180° ON ϕ 40 PCD



180° PATTERN

4x M12 AT 45° ON ϕ 140 PCD

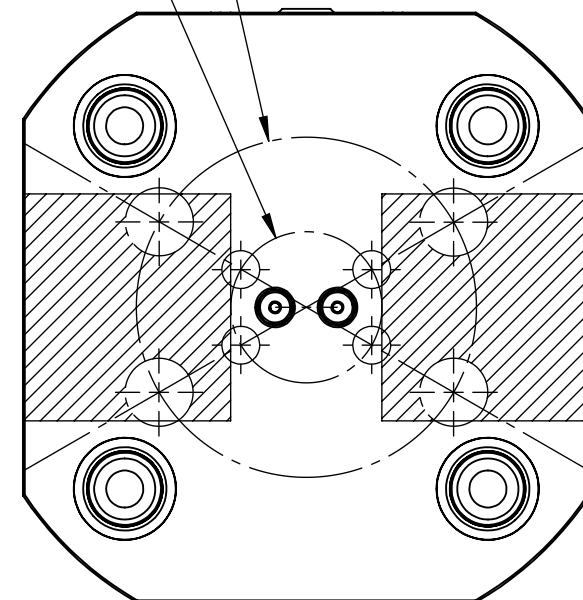
4x M6 AT 45° ON ϕ 40



45° PATTERN

4x M12 AT 60° ON ϕ 90 PCD

4x M6 AT 60° ON ϕ 40 PCD



60° PATTERN

MIN & MAX PCD ON RL96A-66 & RL96S-66 FOR DIFFERENT SIZE HOLE

| BOLT SIZE | 2 BOLT 180° | | 4 BOLT 45° | | 4 BOLT 60° | |
|-----------|-------------|-----|------------|-----|------------|-----|
| | MIN | MAX | MIN | MAX | MIN | MAX |
| - | | | | | | |
| M6 | 40 | 130 | 40 | 140 | 40 | 110 |
| M8 | 50 | 130 | 40 | 140 | 50 | 100 |
| M10 | 50 | 130 | 50 | 140 | 50 | 100 |
| M12 | 50 | 120 | 60 | 140 | 50 | 90 |

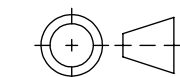
MILLIMETER

WWW.5THAXIS.COM

7140 ENGINEER ROAD
SAN DIEGO, CA 92111

P (858) 505-0432

THIRD ANGLE PROJECTION



DESCRIPTION

ROCKLOCK™ 96MM LOW-PROFILE BASE

SIZE

B

PART NO.

RL96A-66 / RL96S-66

REV

B

DO NOT SCALE DRAWING

SCALE 1:2

WEIGHT:

SHEET 3 OF 3

8

7

6

5

4

3

2

1