

8

7

6

5

4

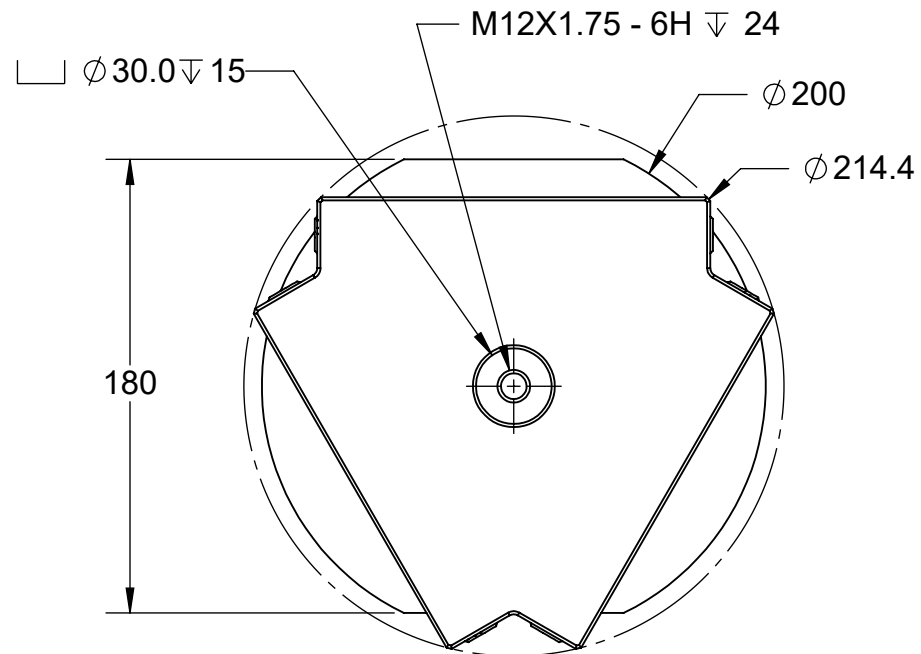
3

2

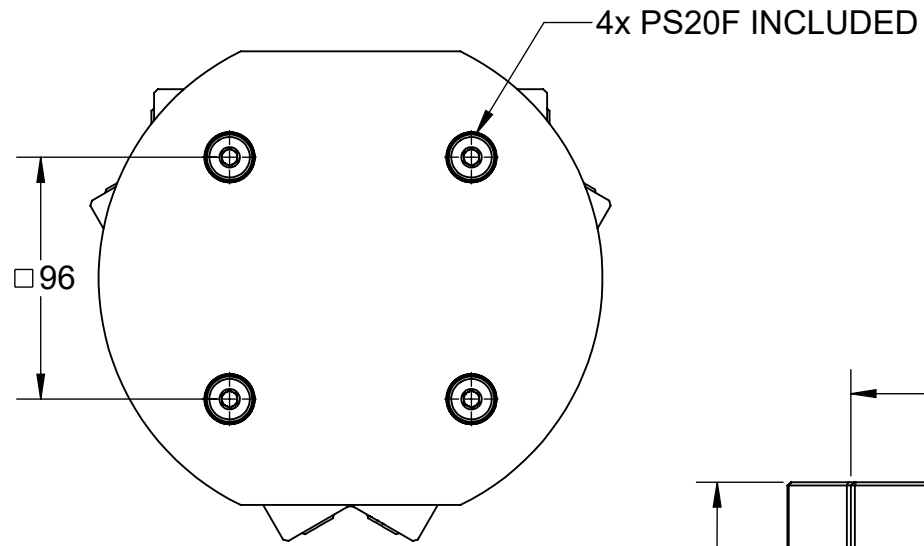
1

MATERIAL:
RL96A-T31: 6061 ALUMINUM BODY

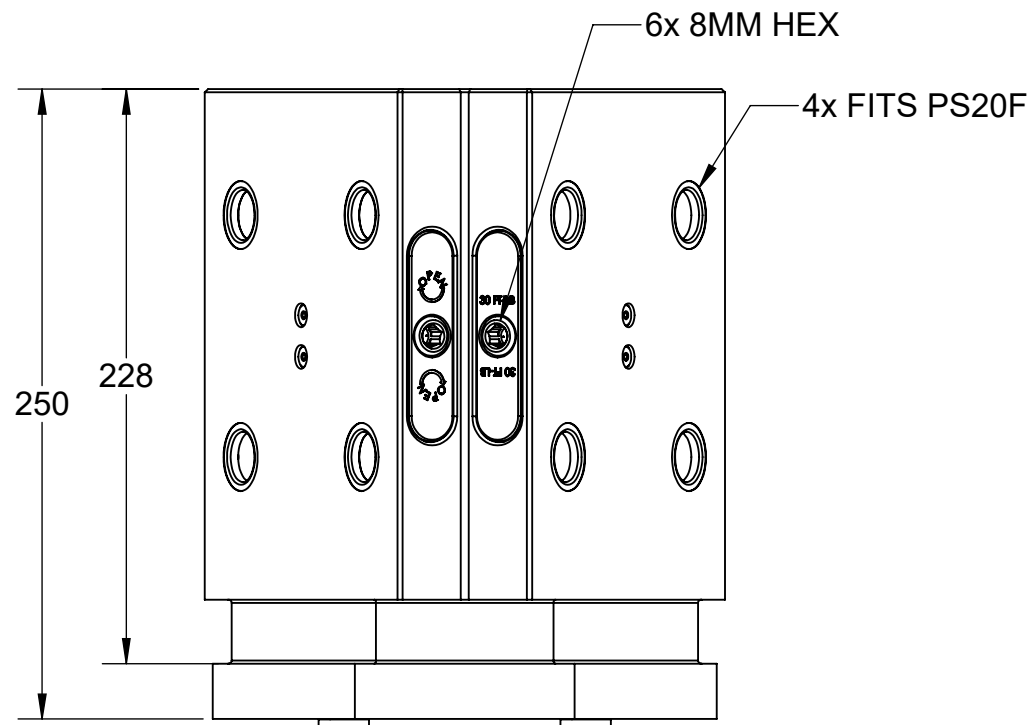
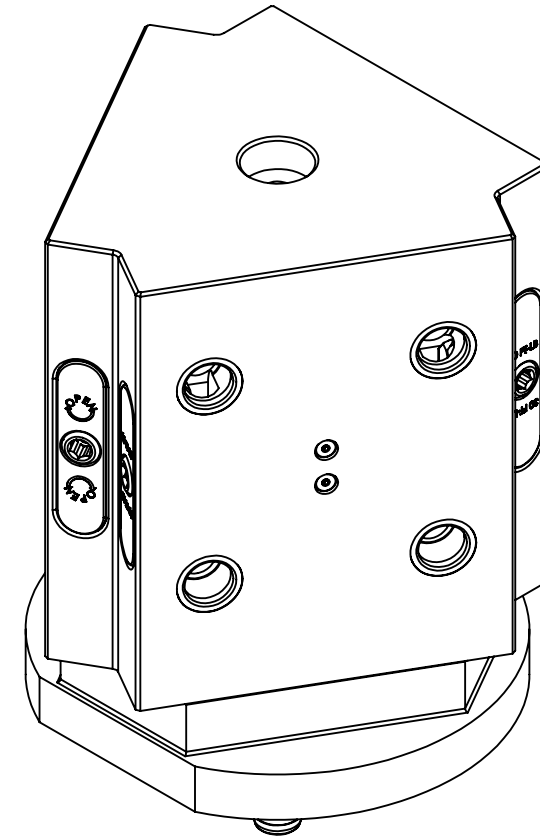
RL96A-T31



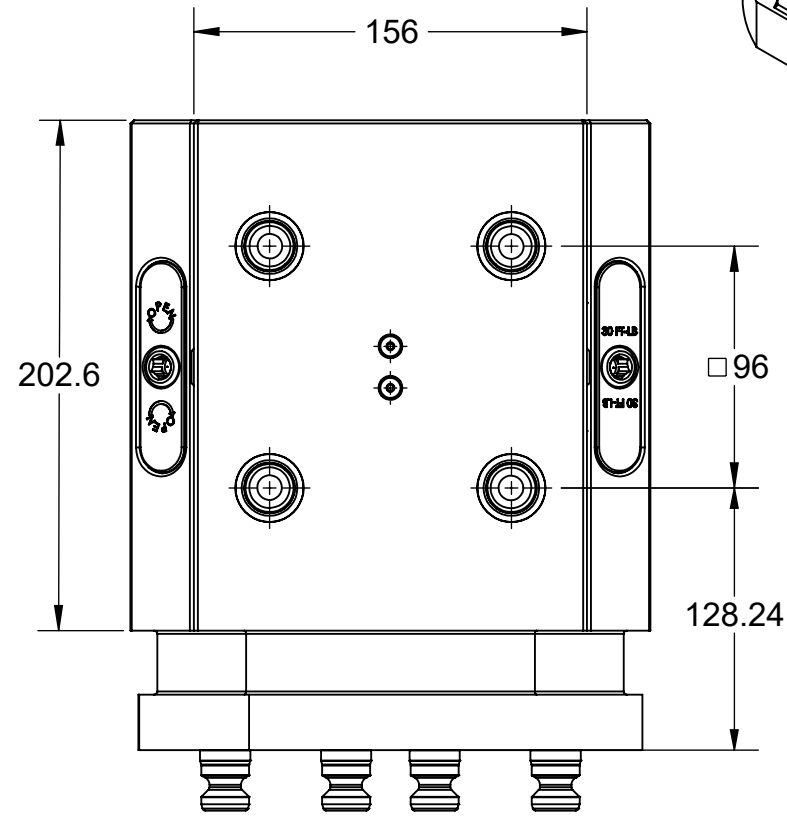
TOP VIEW




BOTTOM VIEW



4x PS20F



SIDE FACE AUXILIARY VIEW

MILLIMETER			
WWW.5THAXIS.COM			
7140 ENGINEER ROAD SAN DIEGO, CA 92111 P (858) 505-0432		DESCRIPTION ROCKLOCK™ 96MM THREE SIDED INTEGRATED TOMBSTONE ADAPTER	
THIRD ANGLE PROJECTION	SIZE B	PART NO. RL96A-T31	REV B
DO NOT SCALE DRAWING		SCALE 1:3	WEIGHT:
			SHEET 1 OF 2

8

7

6

5

4

3

2

1

D

D

C

C

B

B

A

A

8

7

6

5

4

3

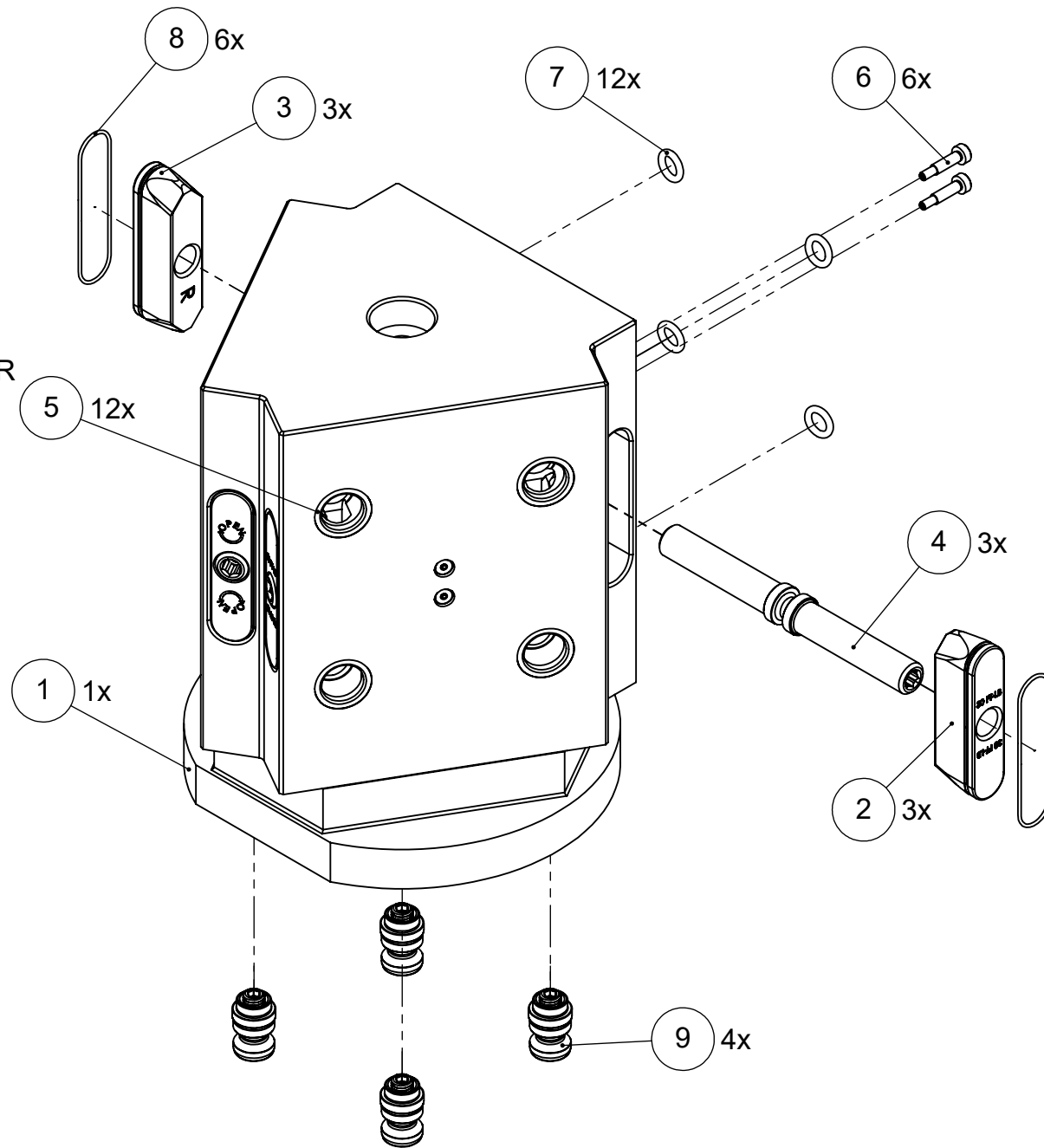
2

1

MATERIAL:
RL96A-T31: 6061 ALUMINUM BODY

RL96A-T31

NOTE:
NOT CUSTOMER
REMOVABLE/
SERVICEABLE



ITEM NO.	PART NUMBER	DESCRIPTION	QTY.
1	RL96-1T31A	96MM ROCKLOCK, 3 SIDED TOMBSTONE, ALUMINUM	1
2	RL96-2L	LEFT ROCKLOCK™ TRUCK	3
3	RL96-2R	RIGHT ROCKLOCK™ TRUCK	3
4	RL96-3	ROCKLOCK™ LEAD SCREW	3
5	27X20.DB	PRECISION BUSHING	12
6	SB54	SHOULDER BOLT	6
7	-	BUNA-N O-RING, 1/8 - #202	12
8	-	BUNA-N O-RING, 1/16 - #033	6
9	PS20F	96mm PULL STUD	4
10	MCMASTER 9750K73	POLYETHYLENE PANEL PLUGS 19-20mm (NOT SHOWN)	12

FOR REFERENCE ONLY - NOT FOR RESALE

MILLIMETER WWW.5THAXIS.COM 7140 ENGINEER ROAD SAN DIEGO, CA 92111 P (858) 505-0432			
	DESCRIPTION ROCKLOCK™ 96MM THREE SIDED INTEGRATED TOMBSTONE ADAPTER		
THIRD ANGLE PROJECTION 	SIZE B	PART NO. RL96A-T31	REV B
DO NOT SCALE DRAWING		SCALE 1:3	WEIGHT:
			SHEET 2 OF 2

8

7

6

5

4

3

2

1