

MATERIAL:

RL96A-3003-400: 6061 ALUMINUM BODY

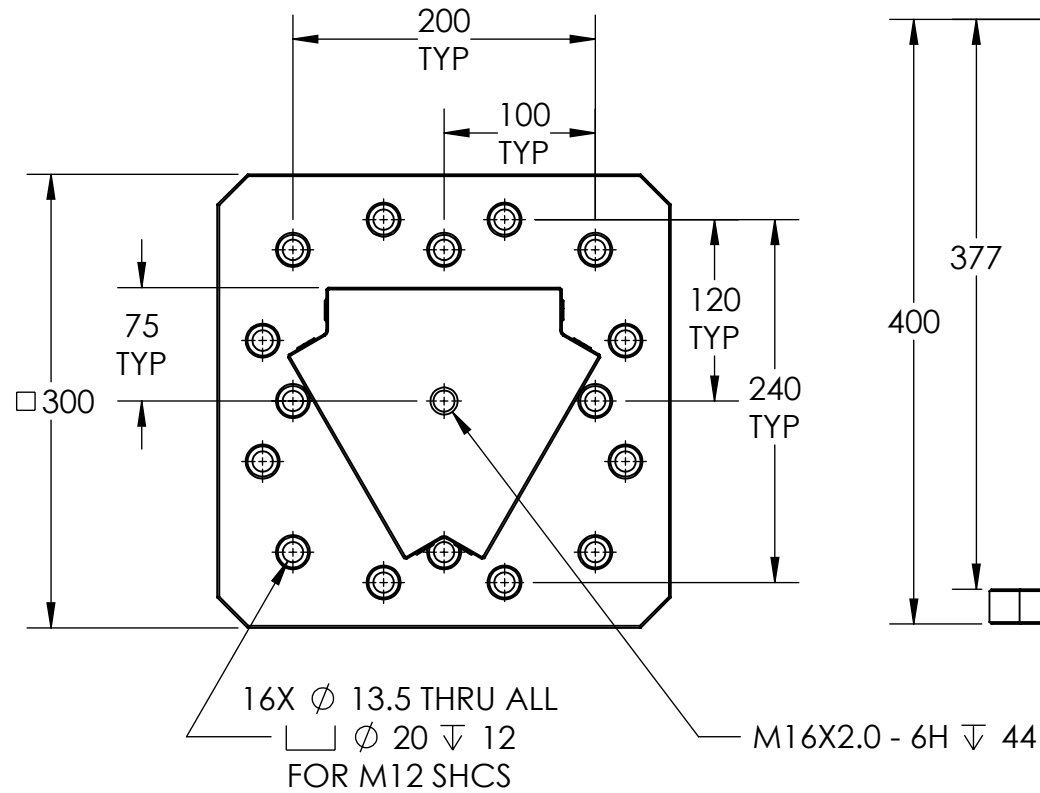
RL96S-3003-400: STEEL BODY

RL96A-3003-400

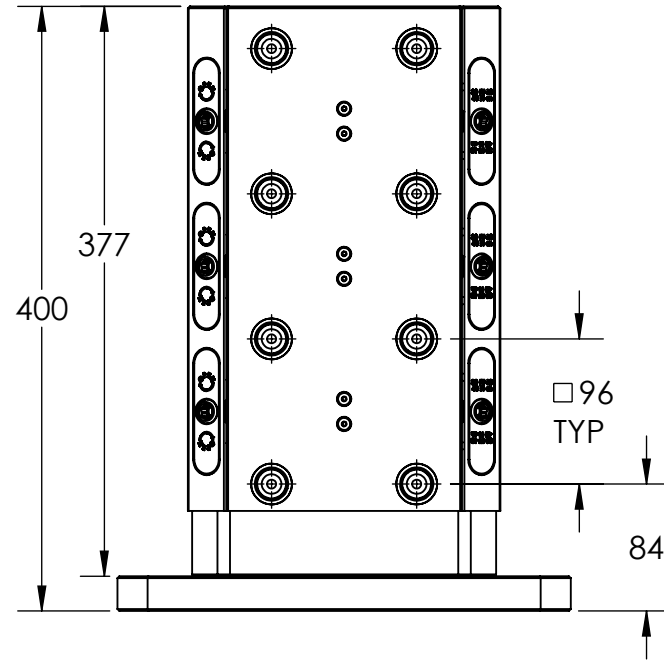
RL96S-3003-400

NOTE:
NOT CUSTOMER
REMOVABLE/
SERVICEABLE

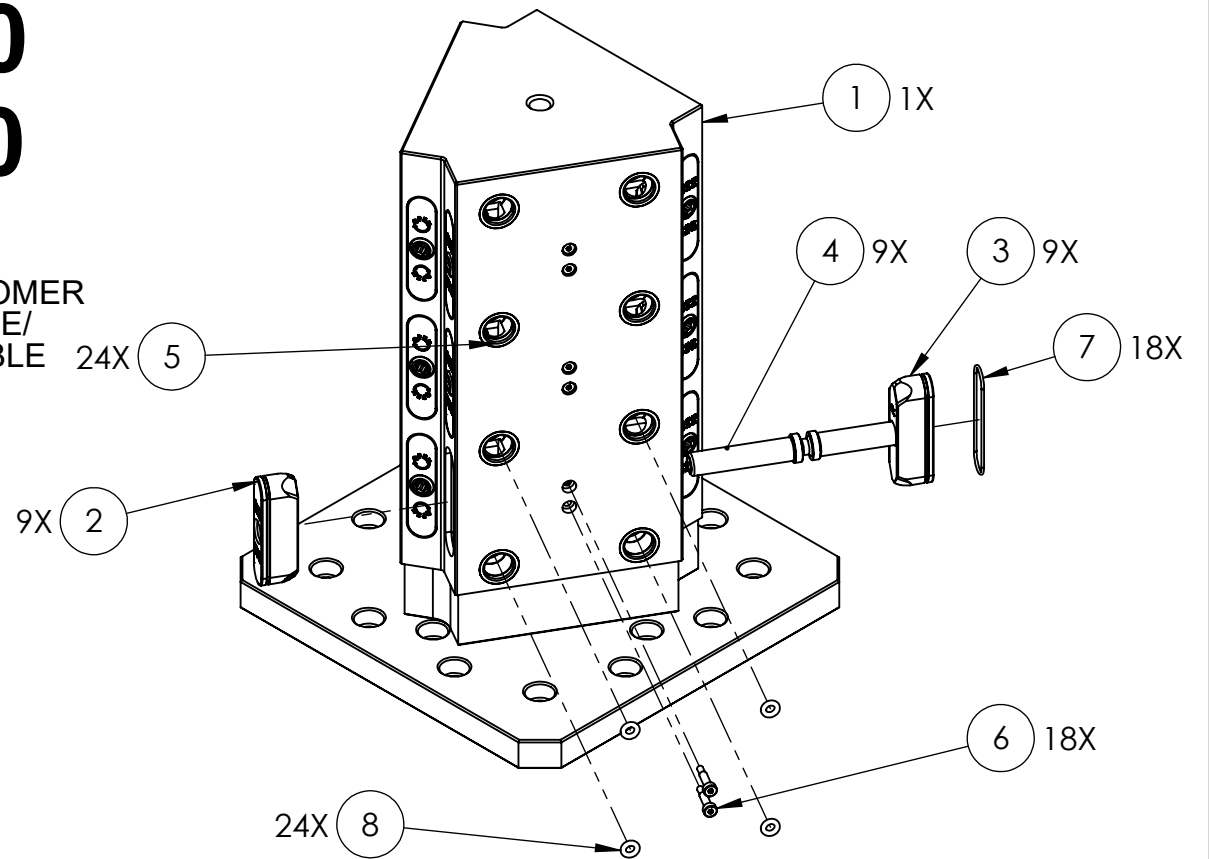
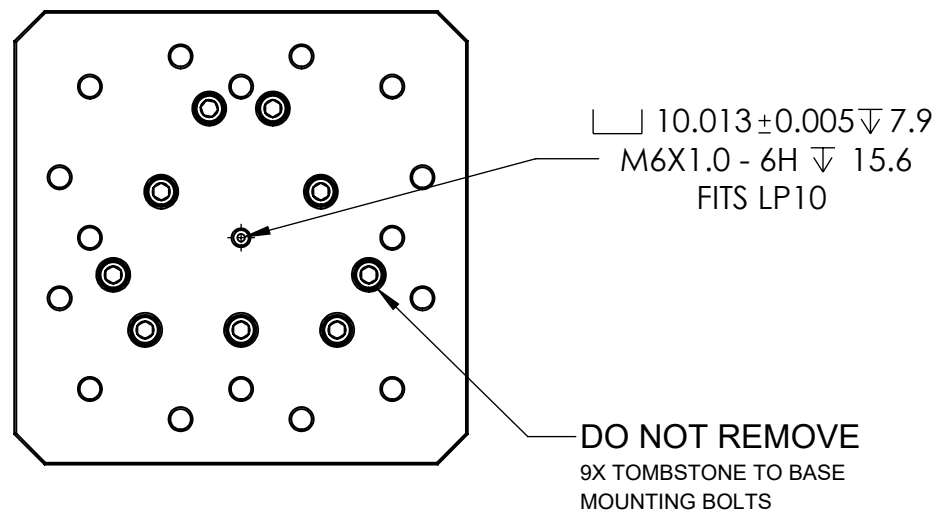
TOP VIEW



FRONT VIEW



BOTTOM VIEW



ITEM NO.	PART NUMBER	DESCRIPTION	QTY.
1	RL96-3003-377A/S	96MM ROCKLOCK, 300MM BASE, 377MM 3-SIDE TOWER	1
2	RL96-2L	96MM ROCKLOCK, LOCK, LEFT	9
3	RL96-2R	96MM ROCKLOCK, LOCK, RIGHT	9
4	RL96-3	96MM ROCKLOCK, LEAD SCREW	9
5	HW27X20.DB	96MM ROCKLOCK BUSHING	24
6	SB54	SHOULDER BOLT 5MM DIAM 24MM LENGTH M4X0.7	18
7	-	BUNA-N O-RING, 1/16 - #033	18
8	-	BUNA-N O-RING, 1/8 - #202	24

MILLIMETER

WWW.5THAXIS.COM
7140 ENGINEER ROAD
SAN DIEGO, CA 92111
P (858) 505-0432



DESCRIPTION
ROCKLOCK™ 96 MM TOMBSTONE 3-SIDED, 300MM BASE

THIRD ANGLE PROJECTION

SIZE **B** PART NO. **RL96A-3003-400 / RL96S-3003-400** REV **A**

DO NOT SCALE DRAWING

SCALE 1:4

WEIGHT:

SHEET 1 OF 1