

8

7

6

5

4

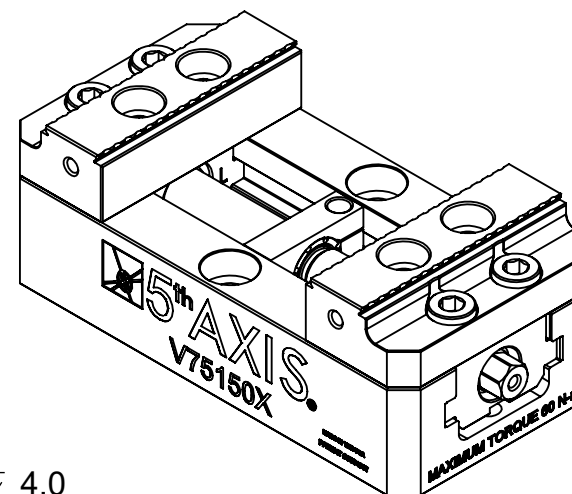
3

2

1

TECHNICAL DATA	V75150X
JAW WIDTH	2.95" (75mm)
BASE LENGTH	5.91" (150mm)
MAXIMUM TORQUE (JAW BOLT)	20 ft-lb (27 Nm)
CLAMPING FORCE	5000 lbf @ 45 ft-lb (22 kN @ 60 Nm)
MAXIMUM TORQUE (LEADSCREW)	45 ft-lb (60 Nm)
MAXIMUM TORQUE (MOUNTING BOLT)	25 ft-lb (34 Nm)
SELF-CENTERING ACCURACY	± 0.0005" (± 12.7 μm)

V75150X



D

D

C

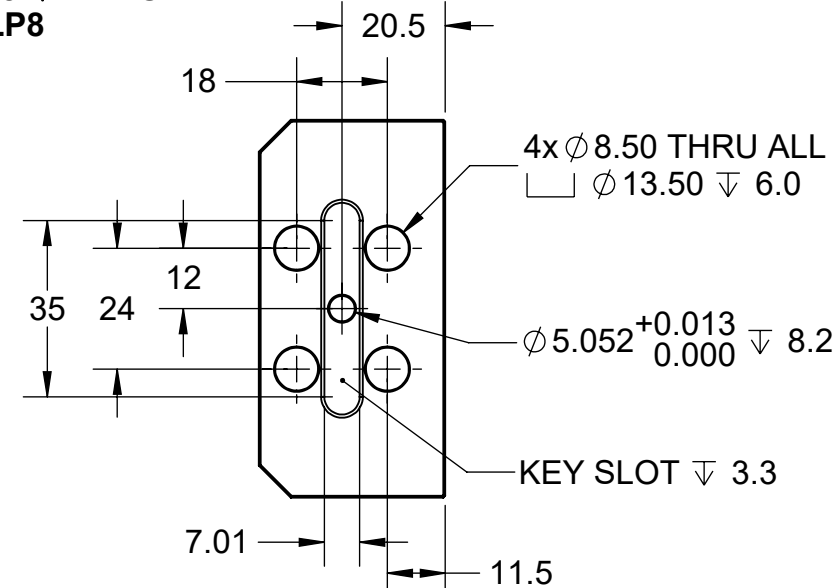
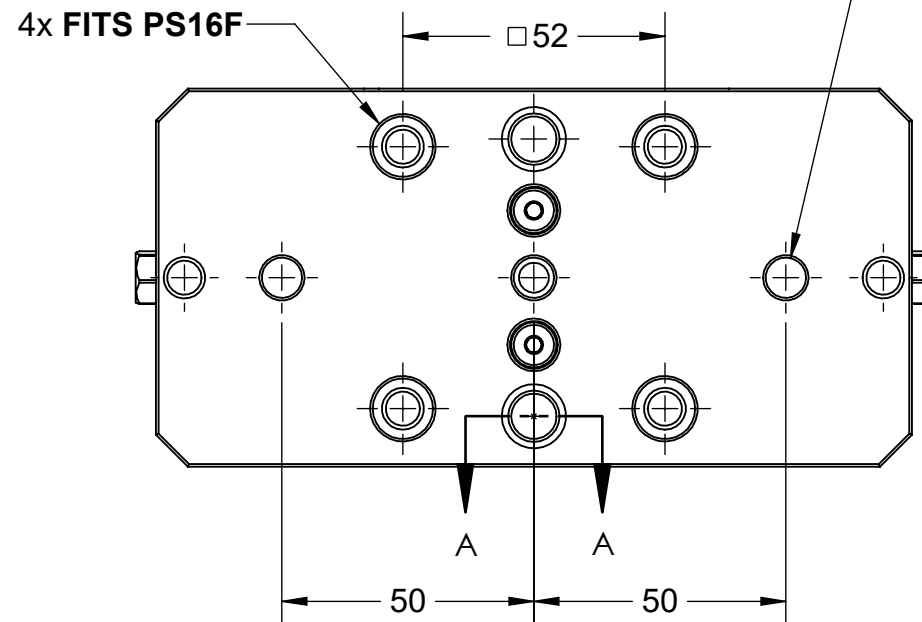
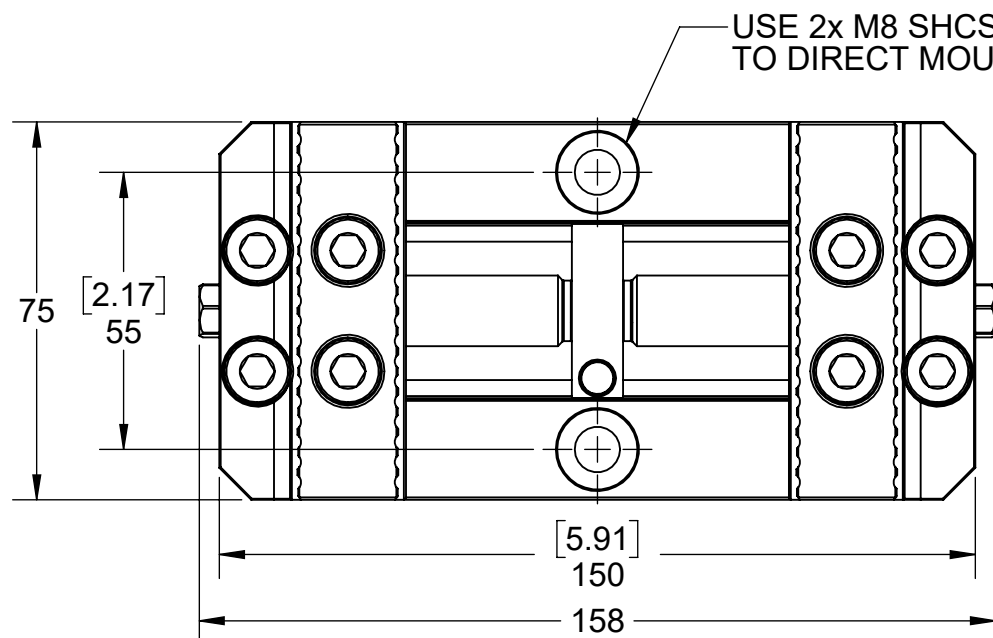
C

B

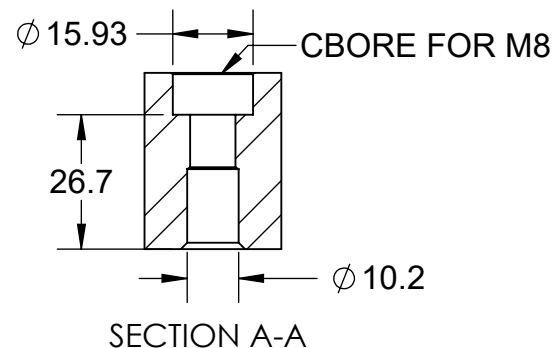
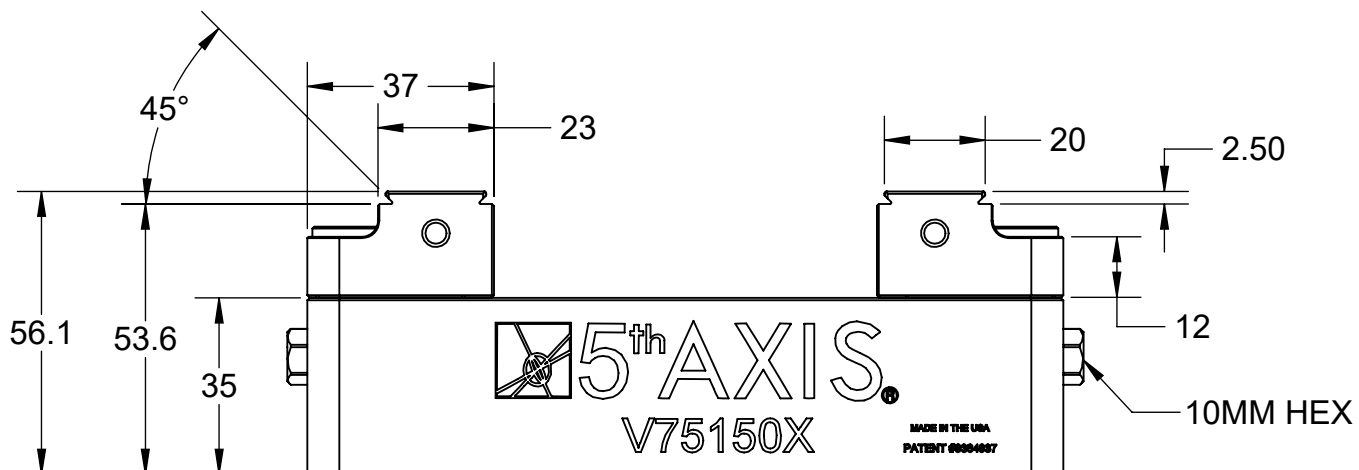
B


A

A



JAW MOUNTING



MILLIMETER				
WWW.5THAXIS.COM 7140 ENGINEER ROAD SAN DIEGO, CA 92111 P (858) 505-0432				
THIRD ANGLE PROJECTION		DESCRIPTION	SMALL SELF-CENTERING VISE	
SIZE	PART NO.	REV		
B	V75150X	B		
DO NOT SCALE DRAWING		SCALE 2:3	WEIGHT:	SHEET 1 OF 3

8

7

6

5

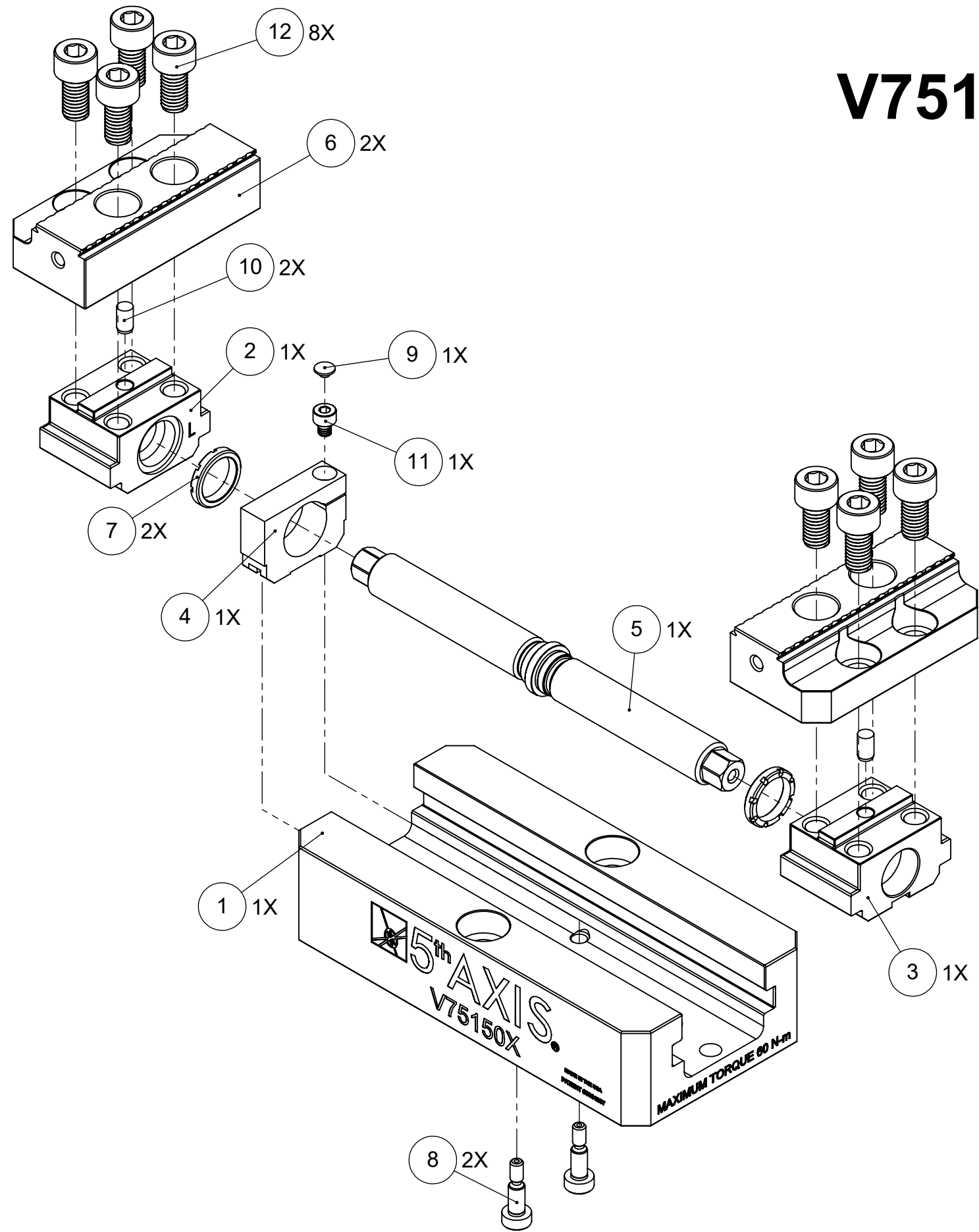
4

3

2


1

V75150X



ITEM NO.	PART NUMBER	DESCRIPTION	QTY.
1	V75150X-1	BASE	1
2	V75100X-2L	LEFT TRUCK	1
3	V75100X-2R	RIGHT TRUCK	1
4	V75100X-3	CENTER BLOCK	1
5	V75150-4	LEAD SCREW	1
6	V75100X-5	JAW	2
7	V75100-6	CENTER BLOCK RING	2
8	SB3V	SHOULDER BOLT	2
9	M4C	PLASTIC PLUG	1
10	M5X10.DP	DOWEL PIN, Ø 5 X 10mm	2
11	-	SOCKET HEAD SCREW, M4x0.7x5mm	1
12	-	SOCKET HEAD SCREW, M8x1.25x16mm	8
13	-	SOCKET HEAD SCREW M8 - 1.25 X 40mm (NOT SHOWN)	2
14	ANTI-SEIZE	ANTI-SEIZE (NOT SHOWN)	1
15	LP8	LOCATING PIN (NOT SHOWN)	2
16	TS10	THUMB SCREW (NOT SHOWN)	1

FOR REFERENCE ONLY - NOT FOR RESALE

MILLIMETER				
WWW.5THAXIS.COM 7140 ENGINEER ROAD SAN DIEGO, CA 92111 P (858) 505-0432				
THIRD ANGLE PROJECTION		DESCRIPTION	SMALL SELF-CENTERING VISE	
SIZE	PART NO.	REV		
B	V75150X	B		
DO NOT SCALE DRAWING		SCALE 2:3	WEIGHT:	SHEET 2 OF 3

8

7

6

5

4

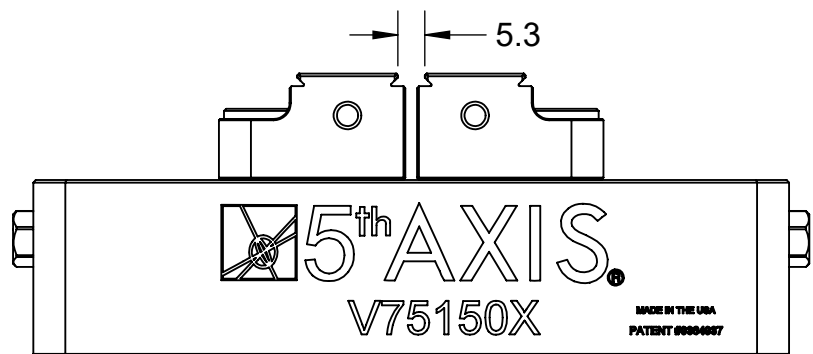
3

2

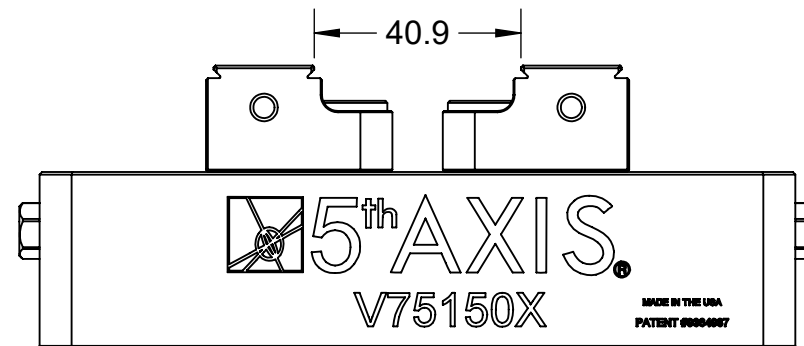
1

NOTE: USING DOVETAIL ALLOWS VISE TO CLAMP LARGER PART.
BELOW CLAMPING RANGE ONLY SHOWS THE CAPABILITY OF THE GRIPPER TEETH.

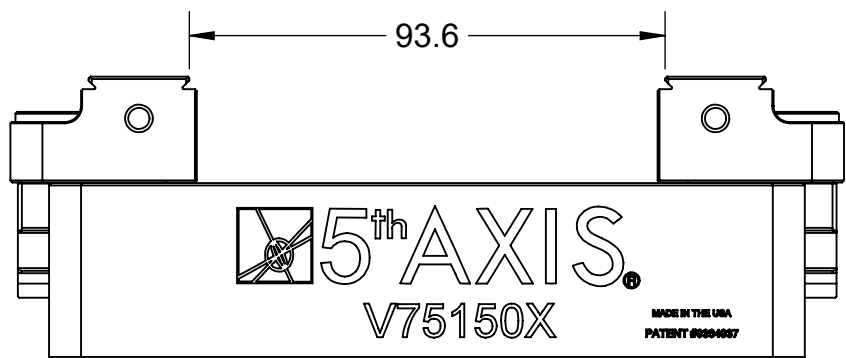
V75150X



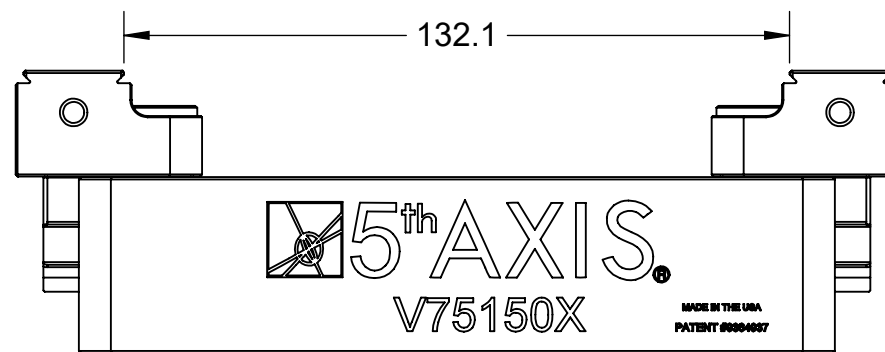
FORWARD JAWS (MINIMUM CLAMPING RANGE)




REVERSE JAWS (MINIMUM CLAMPING RANGE)



FORWARD JAWS (MAXIMUM CLAMPING RANGE)



REVERSE JAWS (MAXIMUM CLAMPING RANGE)

MILLIMETER				
WWW.5THAXIS.COM 7140 ENGINEER ROAD SAN DIEGO, CA 92111 P (858) 505-0432				
THIRD ANGLE PROJECTION		DESCRIPTION	SMALL SELF-CENTERING VISE	
SIZE	PART NO.	REV		
B	V75150X	B		
DO NOT SCALE DRAWING		SCALE 2:3	WEIGHT:	SHEET 3 OF 3

8

7

6

5

4

3

2

1

D

D

C

C

B

B

A

A