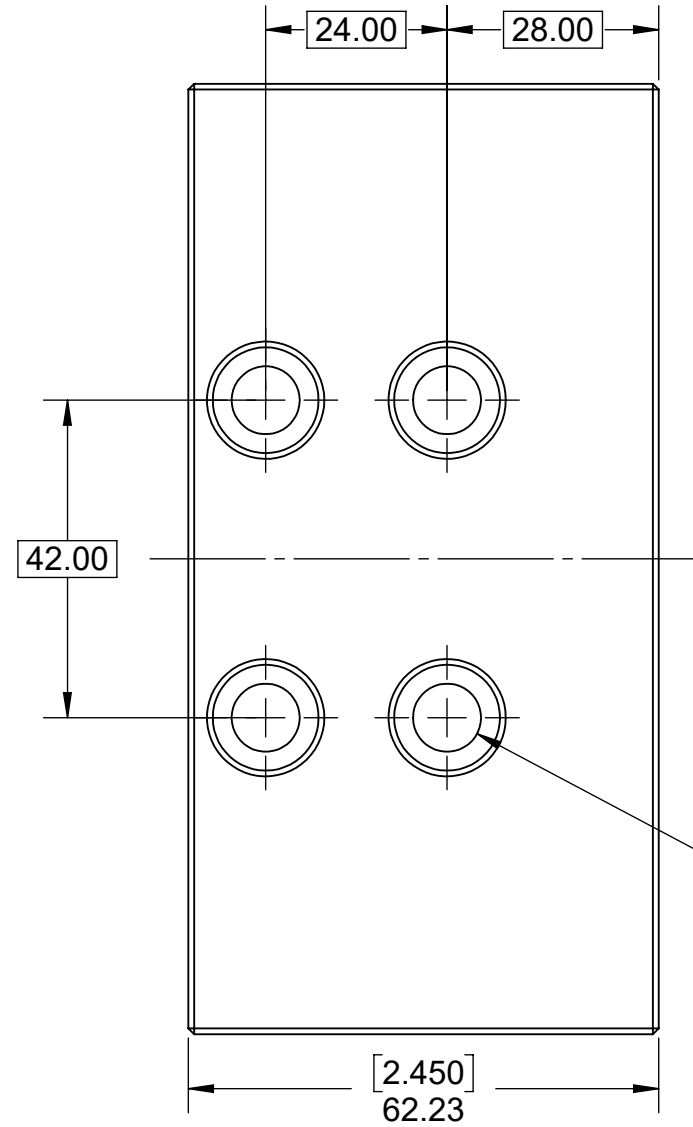
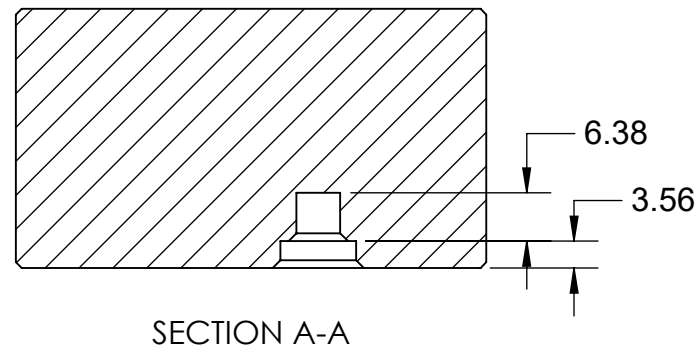
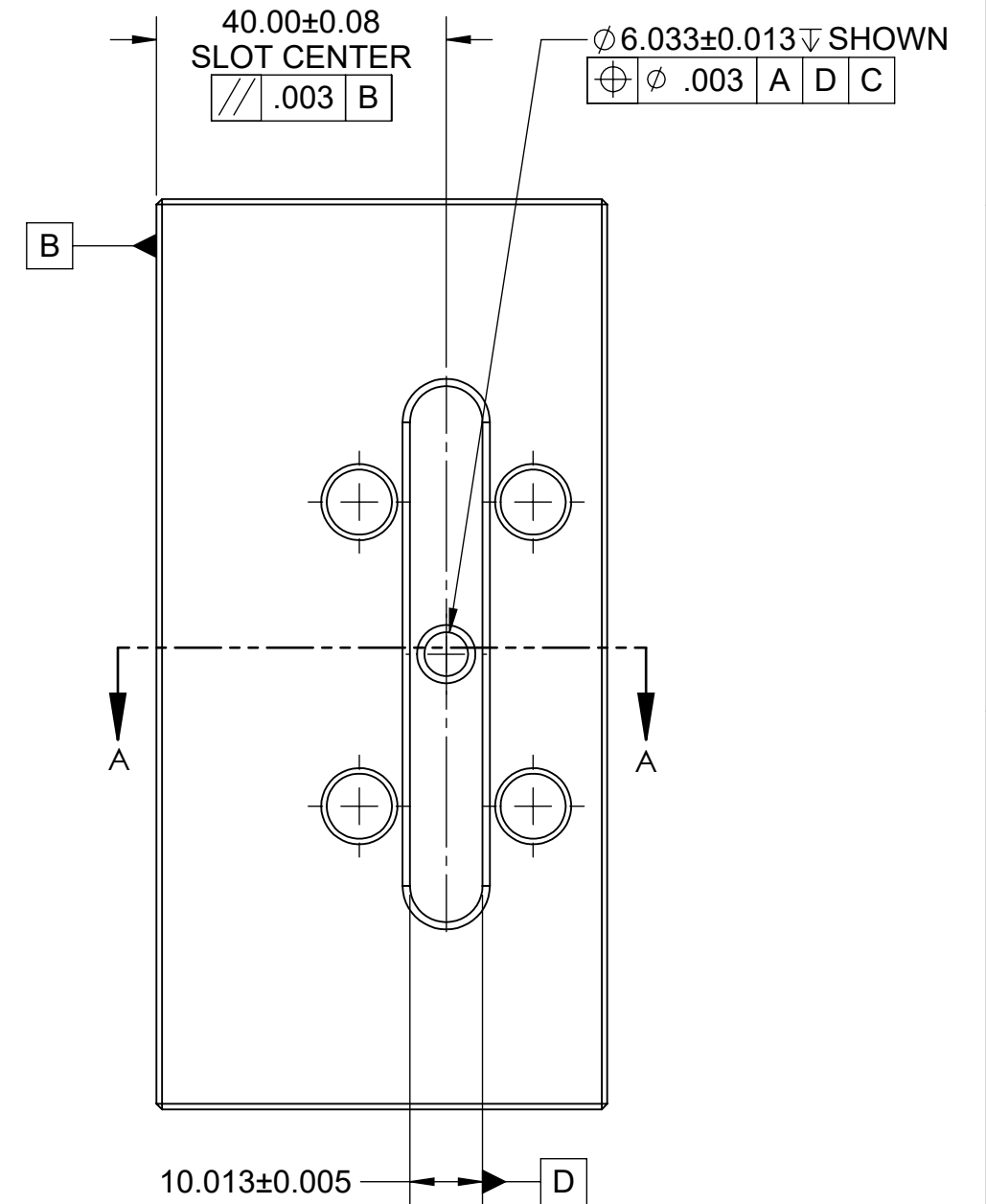
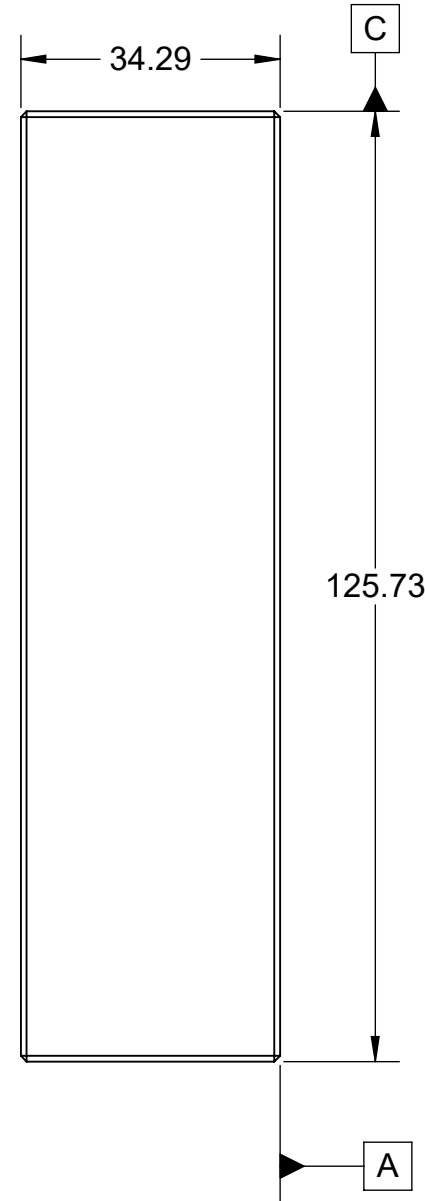


**MATERIAL:**  
**VAJ52X: 6061 ALUMINUM JAW**  
**VSJ52X: 1018 STEEL JAW**  
**SOLD AS SET OF TWO**

# VAJ52X VSJ52X



4x  $\phi$  9.0 THRU ALL  
 $\square$   $\phi$  14.0  $\nabla$  28.0  
 $\oplus$   $\phi$  .010 A B C



<b>MILLIMETER</b> <small>DRAWN IN ACCORDANCE WITH ASME Y14.5-2009</small>  WWW.5THAXIS.COM  7140 ENGINEER ROAD SAN DIEGO, CA 92111  P (858) 505-0432 F (858) 505-9344	<b>TOLERANCES</b> <small>UNLESS OTHERWISE SPECIFIED</small> x ± 0.1    .xx ± 0.01 .x ± 0.05    .xxx ± 0.005 ANGULAR ± 0.5° THIRD ANGLE PROJECTION			
	DESCRIPTION <b>SOFT JAW FOR V562X / V510X</b>	SIZE <b>B</b>	PART NO. <b>VAJ52X/VSJ52X</b>	REV <b>A</b>
DO NOT SCALE DRAWING		SCALE 1:1	WEIGHT:	SHEET 1 OF 1