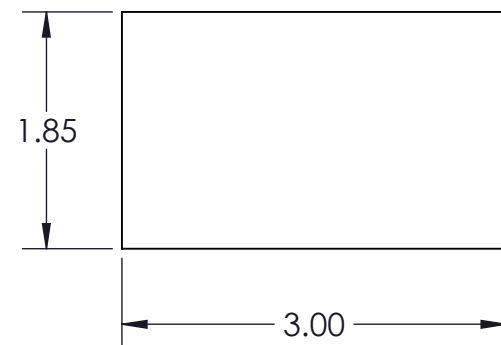
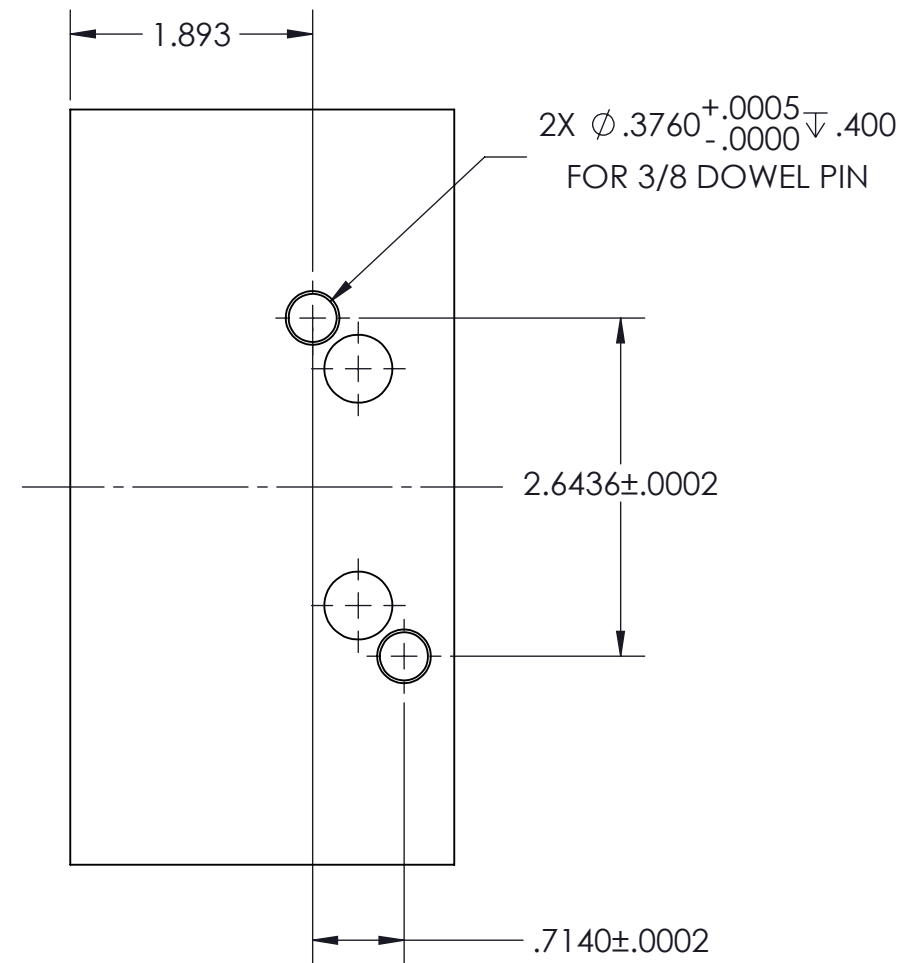
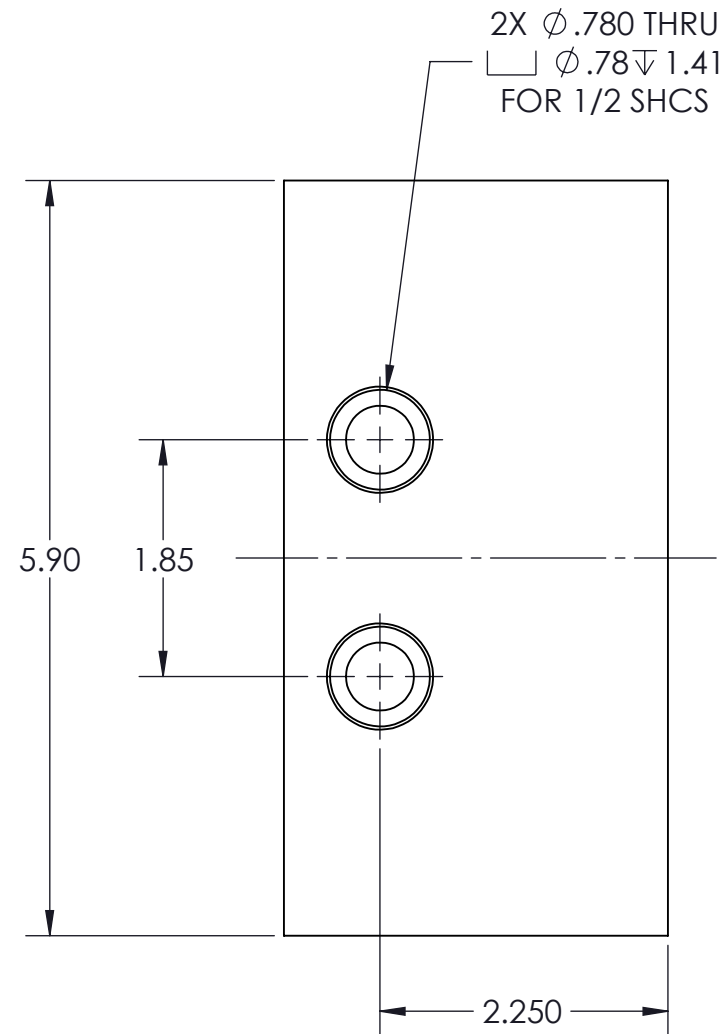
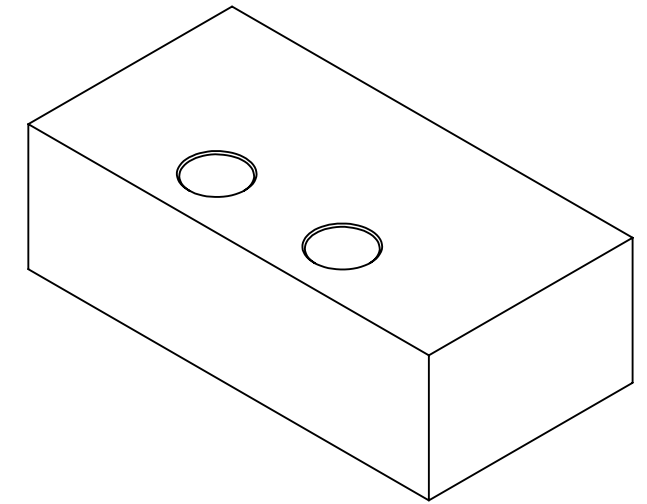




MATERIAL:
 VAJ610: 6061 ALUMINUM
 VSJ610: 1018 STEEL

VAJ610 VSJ610

FITS V6105



INCH <small>DRAWN IN ACCORDANCE WITH ASME Y14.5-2009</small> PROPRIETARY AND CONFIDENTIAL <small>THE INFORMATION CONTAINED IN THIS DRAWING IS THE SOLE PROPERTY OF FIFTH AXIS, INC. ANY REPRODUCTION IN PART OR AS A WHOLE WITHOUT THE WRITTEN PERMISSION OF FIFTH AXIS, INC. IS PROHIBITED.</small>	TOLERANCES <small>UNLESS OTHERWISE SPECIFIED</small> X \pm 0.1 .XX \pm 0.01 .X \pm 0.05 .XXX \pm 0.005 ANGULAR \pm 0.5°	 <small>WWW.FIFTHAXIS.COM 7140 ENGINEER ROAD SAN DIEGO, CA 92111 P (858) 505-0432 F (858) 505-9344</small>	
	<small>THIRD ANGLE PROJECTION</small> 		DESCRIPTION SOFT JAWS FOR V6105
SIZE B	PART NO. VAJ610/VSJ610	REV	<small>DO NOT SCALE DRAWING SCALE 1:1 WEIGHT: 3.035 SHEET 1 OF 1</small>