

8

7

6

5

4

3

2

1

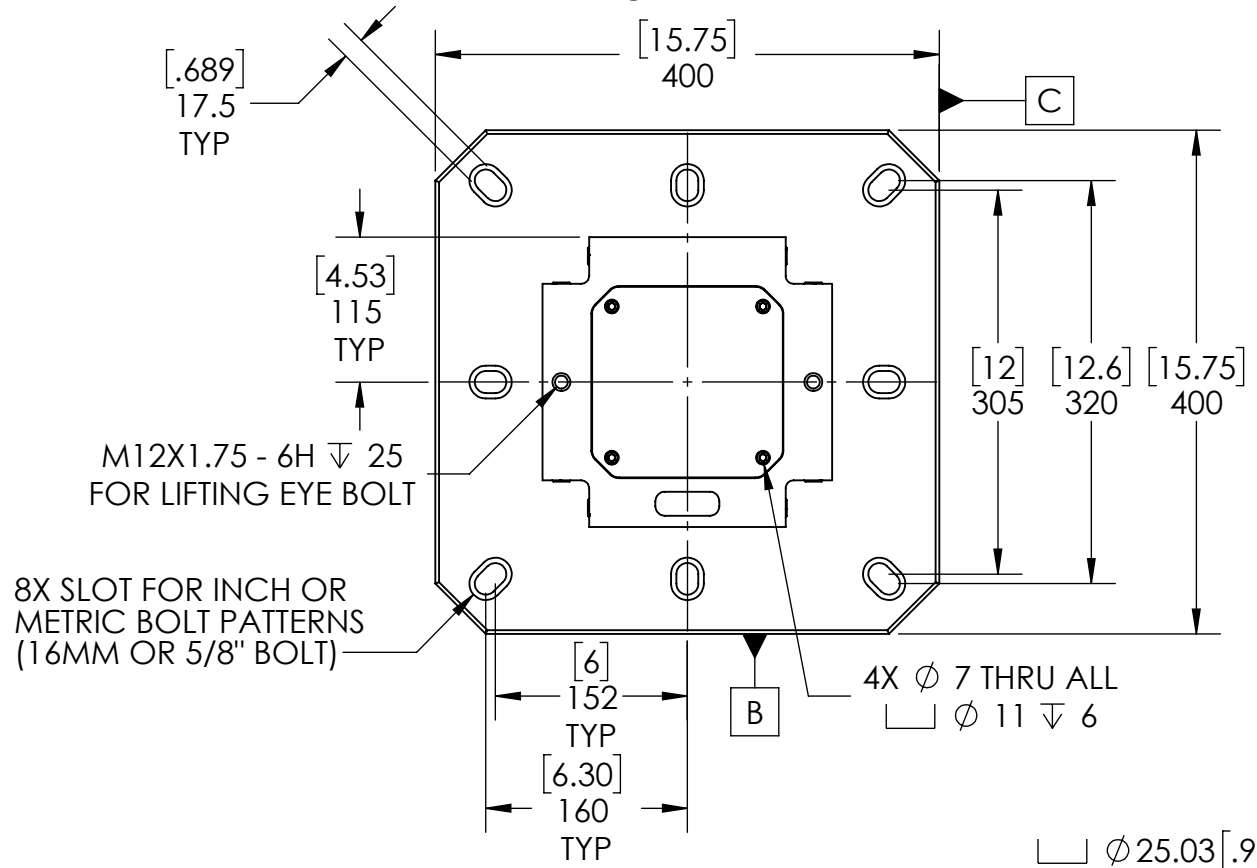
MATERIAL: ALUMINUM

RL96A-4004U-638

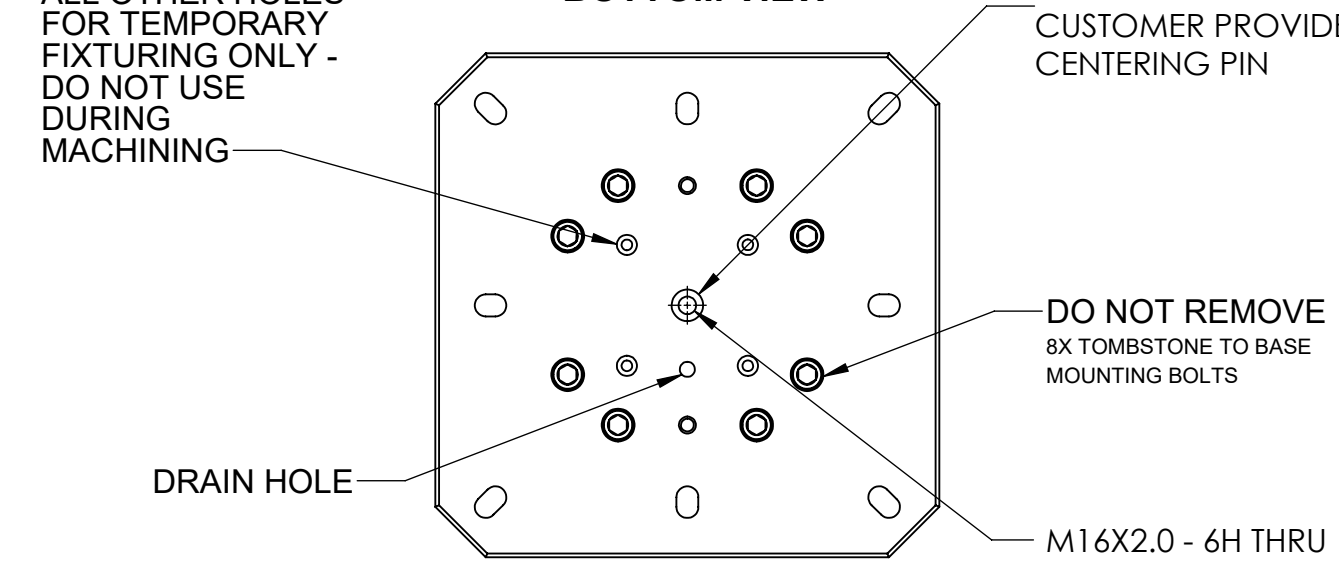
D

D

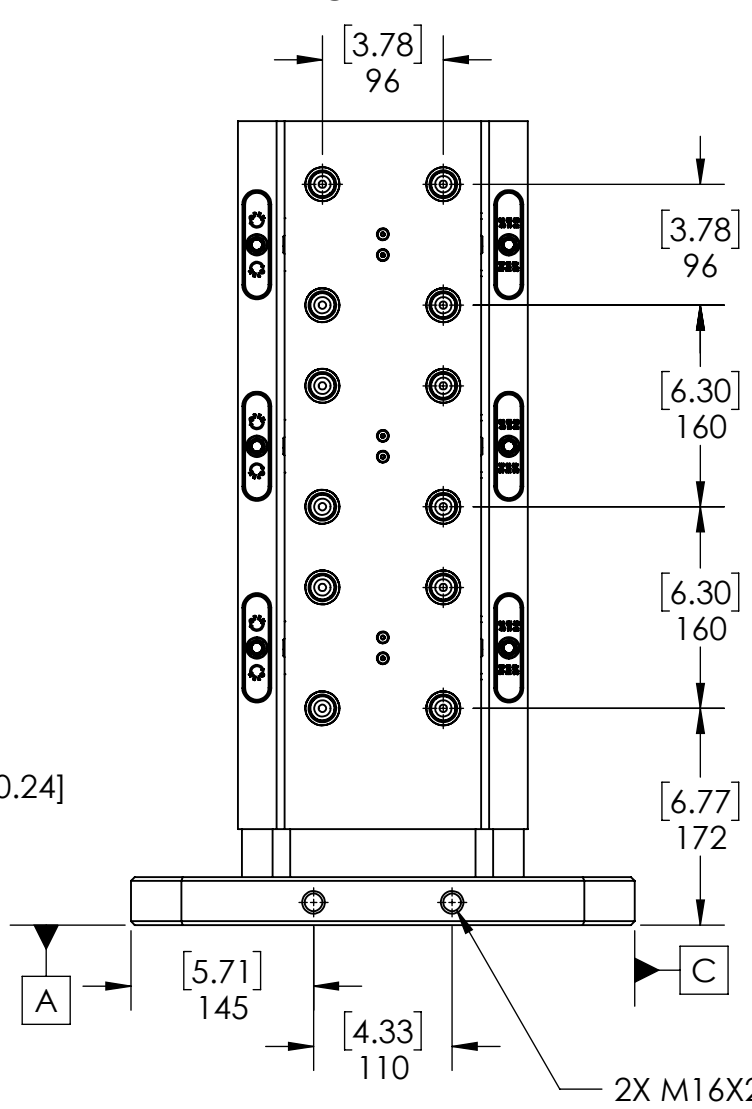
TOP VIEW



BOTTOM VIEW



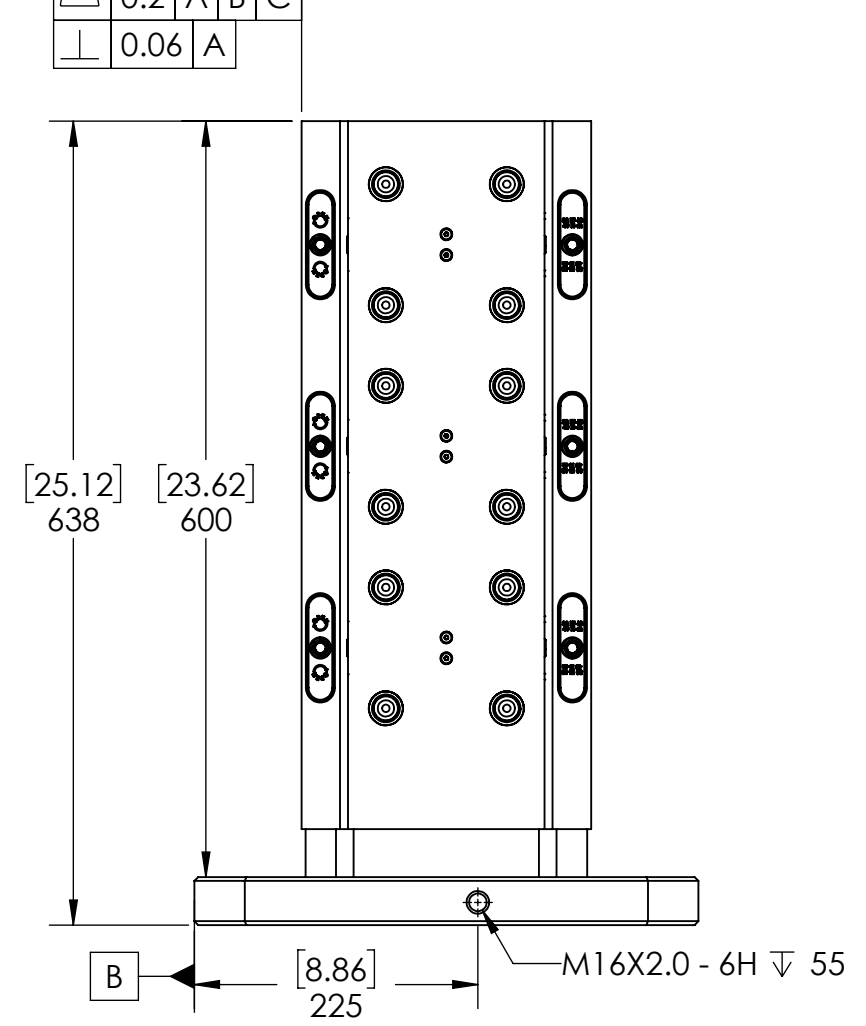
FRONT VIEW



TYPE EACH FACE

∇	0.2	A	B	C
\perp	0.06	A		

SIDE VIEW



B

B

A

A

8

7

6

5

4

3

2

1

MILLIMETER WWW.5THAXIS.COM 7140 ENGINEER ROAD SAN DIEGO, CA 92111 P (858) 505-0432			
	DESCRIPTION 96MM ROCKLOCK, 400MM TOMBSTONE, 638MM TALL, ALUMINUM		
THIRD ANGLE PROJECTION 	SIZE B	PART NO. RL96A-4004U-638	REV B
DO NOT SCALE DRAWING		SCALE 1:6	WEIGHT: SHEET 1 OF 2

8

7

6

5

4

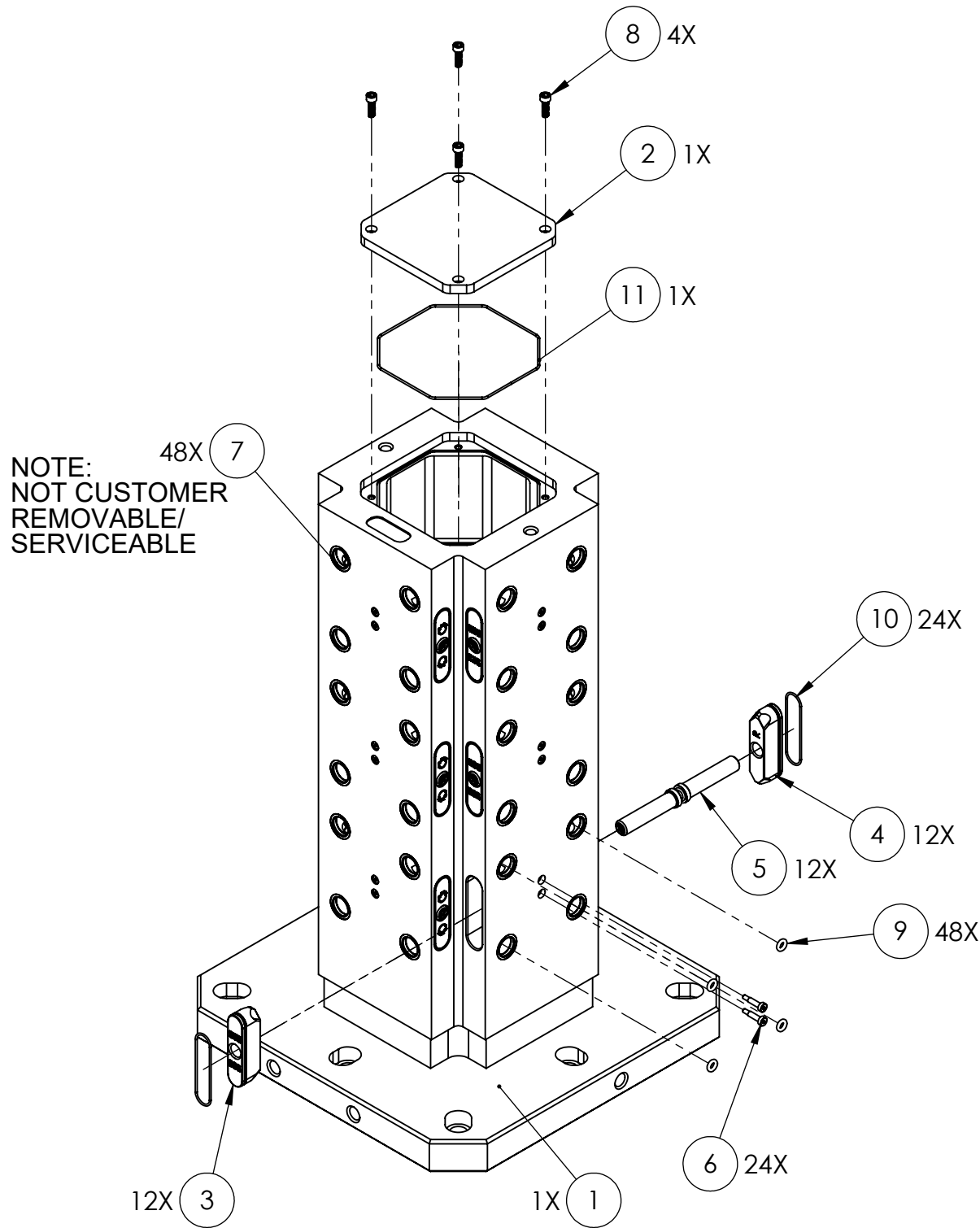
3

2

1

MATERIAL: ALUMINUM

RL96A-4004U-638



ITEM NO.	PART NUMBER	DESCRIPTION	QTY.
1	RL96-4004-600A	96MM ROCKLOCK, 400MM BASE, 600MM 4-SIDE TOWER	1
2	RL96-14TC	96MM ROCKLOCK, 230MM TOMB CAP, ALUMINUM	1
3	RL96-2L	96MM ROCKLOCK, LOCK, LEFT	12
4	RL96-2R	96MM ROCKLOCK, LOCK, RIGHT	12
5	RL96-3	96MM ROCKLOCK, LEAD SCREW	12
6	SB54	SHOULDER BOLT 5MM DIAM 24MM LENGTH M4X0.7	24
7	HW27X20.DB	96MM ROCKLOCK BUSHING	48
8	-	SOCKET HEAD CAP SCREW, M6x1x20mm	4
9	-	BUNA-N O-RING, 1/8 - #202	48
10	-	BUNA-N O-RING, 1/16 - #033	24
11	-	O-RING, 156mm ID X 2mm THK, BUNA-N, 70A	1

MILLIMETER			
WWW.5THAXIS.COM			
7140 ENGINEER ROAD SAN DIEGO, CA 92111 P (858) 505-0432		DESCRIPTION 96MM ROCKLOCK, 400MM TOMBSTONE, 638MM TALL, ALUMINUM	
THIRD ANGLE PROJECTION	SIZE B	PART NO. RL96A-4004U-638	REV B
DO NOT SCALE DRAWING		SCALE 1:6	WEIGHT:
		SHEET 2 OF 2	

8

7

6

5

4

3

2

1