

8

7

6

5

4

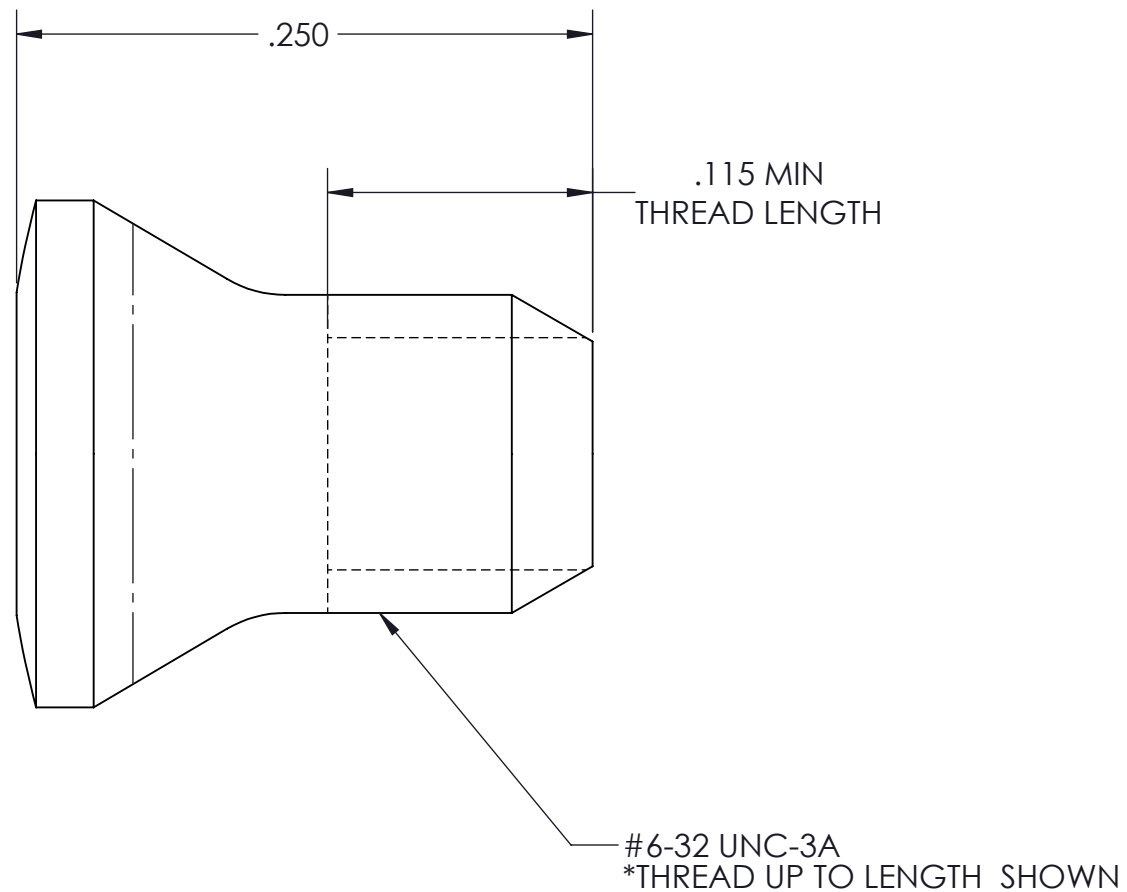
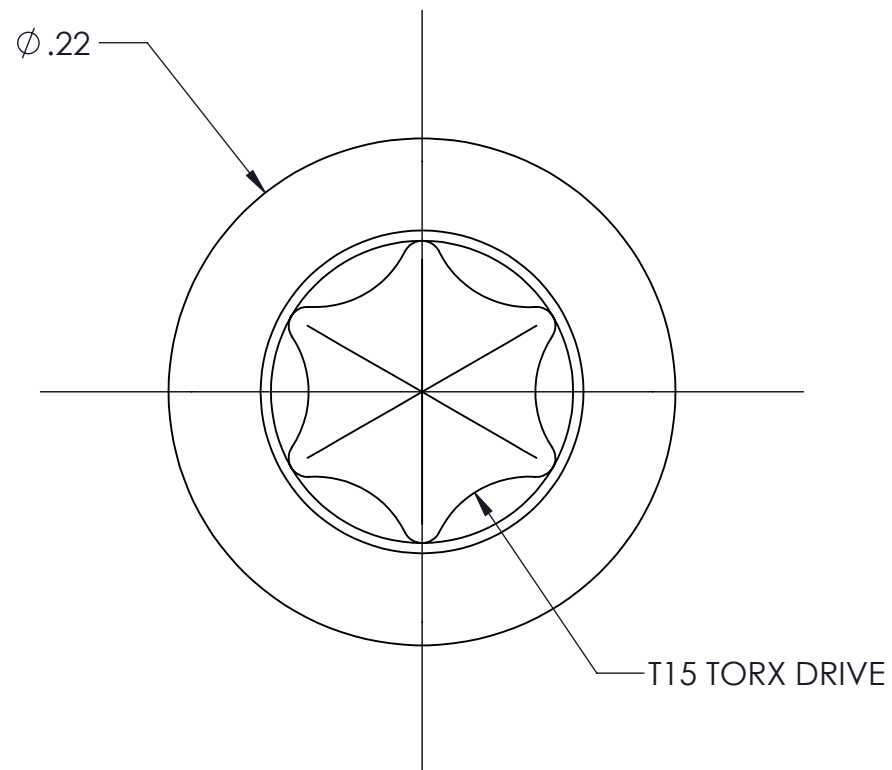
3


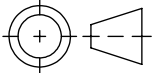
2

1

MATERIAL: 4140 STEEL HEAT TREAT TO 38-44 HRC
FINISH: BLACK OXIDE COATING CLASS 1
COMPATIBLE WITH ALL 5TH AXIS DOVETAIL CUTTERS

DC1750-S



INCH				
WWW.5THAXIS.COM 7140 ENGINEER ROAD SAN DIEGO, CA 92111 P (858) 505-0432				
THIRD ANGLE PROJECTION		DESCRIPTION		REV
		SIZE	PART NO.	G
		B	DC1750-S	
DO NOT SCALE DRAWING		SCALE 1:1	WEIGHT: 0.016 OZ	SHEET 1 OF 1

8

7

6

5

4

3

2

1