

8

7

6

5

4

3

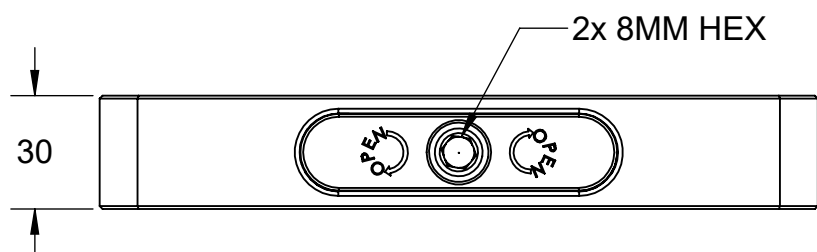
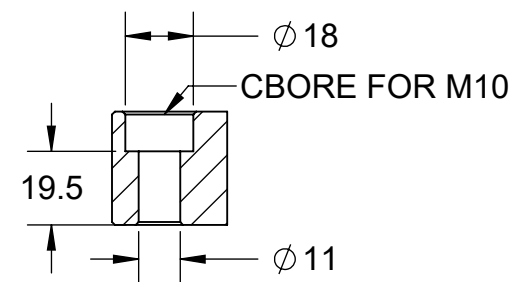
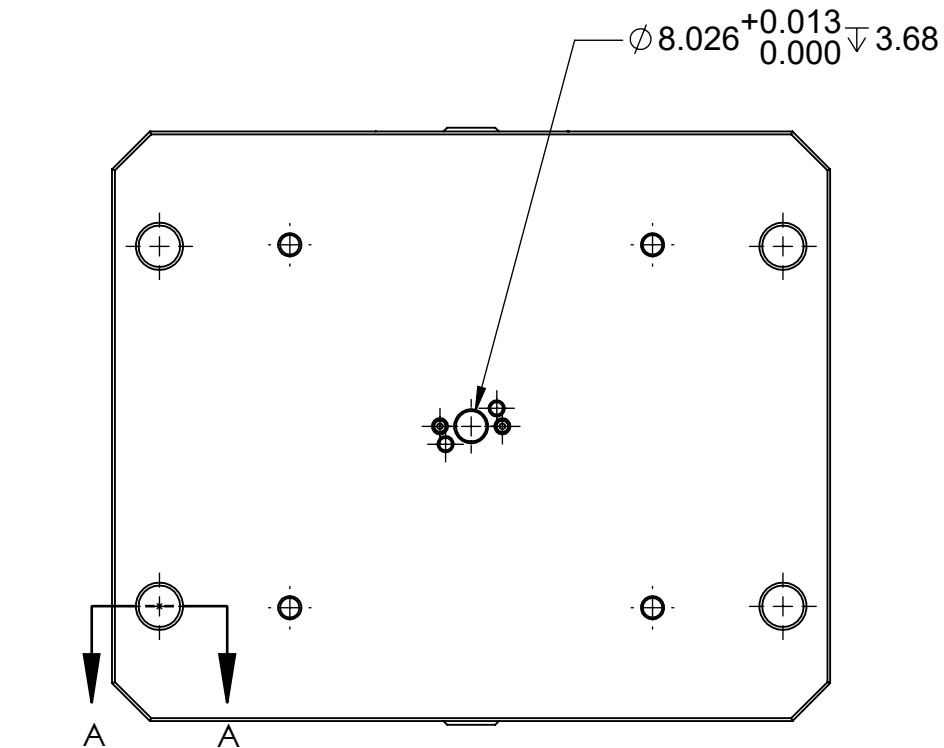
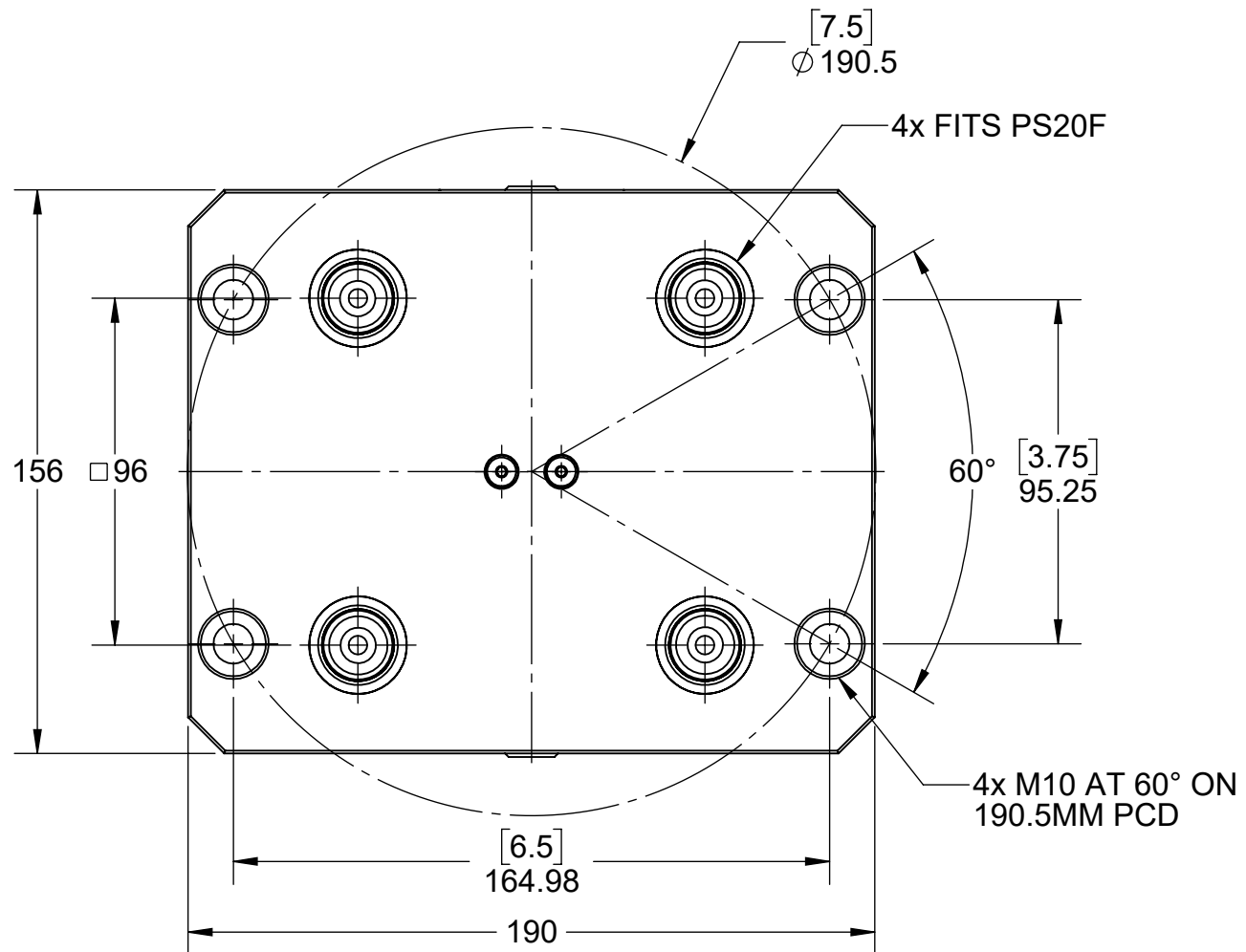
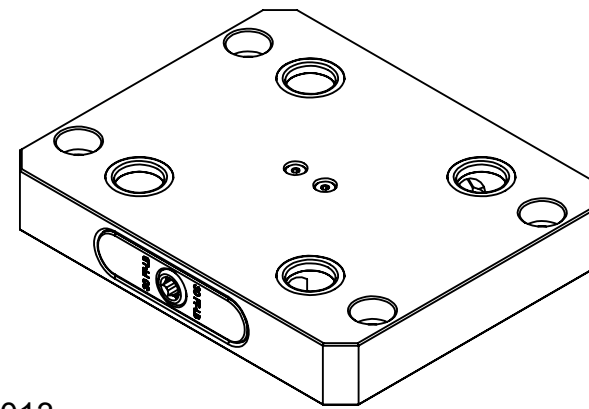
2

1

MATERIAL:
RL96A-68: 6061 ALUMINUM BODY
RL96S-68: 1018 STEEL BODY

RL96A-68

RL96S-68



MILLIMETER				
WWW.5THAXIS.COM 7140 ENGINEER ROAD SAN DIEGO, CA 92111 P (858) 505-0432				
THIRD ANGLE PROJECTION		DESCRIPTION	ROCKLOCK™ 96MM LOW-PROFILE BASE	
SIZE	PART NO.	RL96A-68 / RL96S-68		REV
B				B
DO NOT SCALE DRAWING		SCALE 1:2	WEIGHT:	SHEET 1 OF 2

8

7

6

5

4

3

2

1

8

7

6

5

4

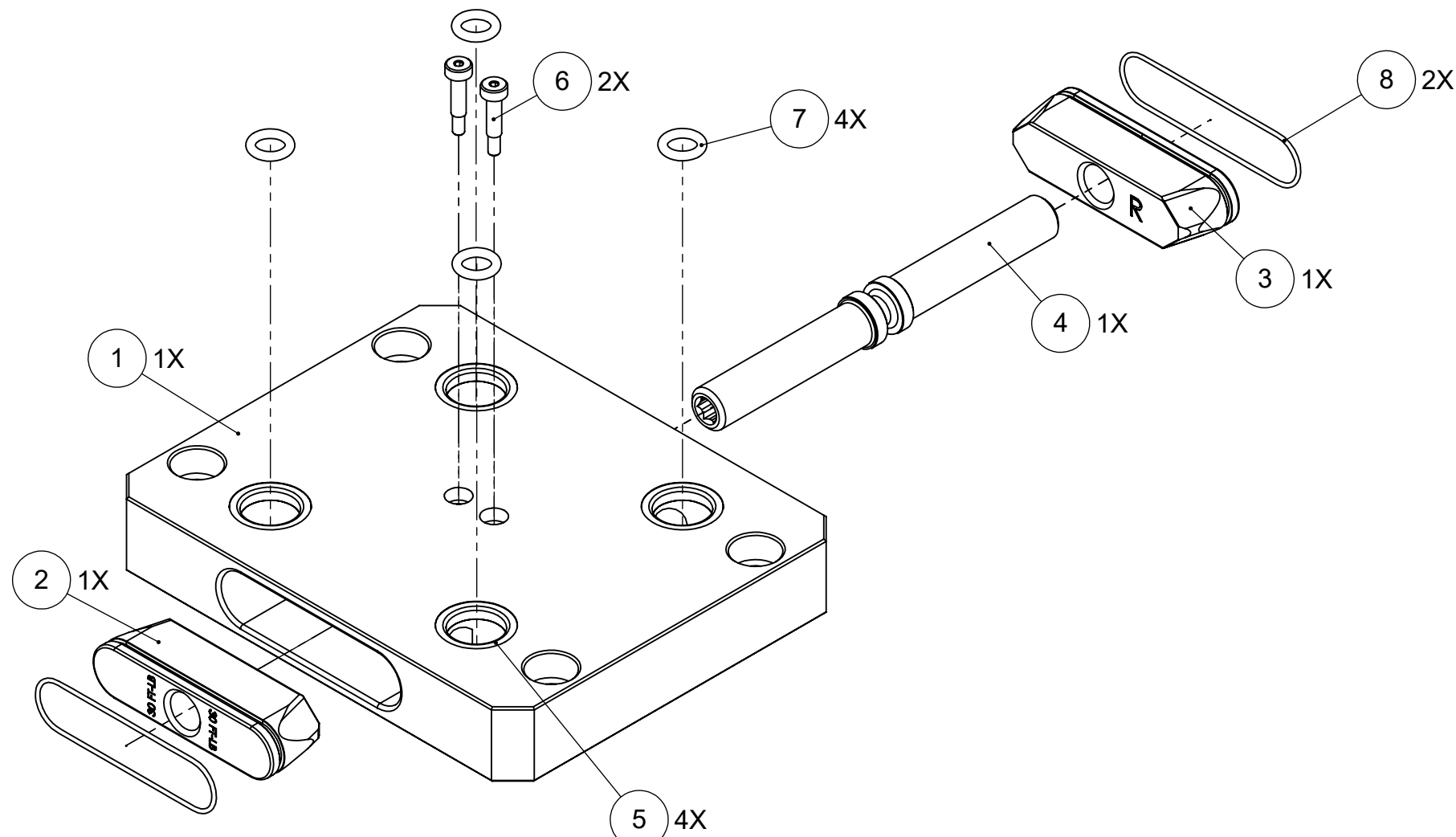
3

2

1

MATERIAL:
 RL96A-68: 6061 ALUMINUM BODY
 RL96S-68: 1018 STEEL BODY

RL96A-68 RL96S-68



NOTE:
 NOT CUSTOMER
 REMOVABLE/
 SERVICEABLE

ITEM NO.	PART NUMBER	DESCRIPTION	QTY.
1	RL96-168A/S	ROCKLOCK™ BASE	1
2	RL96-2L	LEFT ROCKLOCK™ TRUCK	1
3	RL96-2R	RIGHT ROCKLOCK™ TRUCK	1
4	RL96-3	ROCKLOCK™ LEAD SCREW	1
5	27X20.DB	PRECISION BUSHING	4
6	SB54	SHOULDER BOLT	2
7	-	BUNA-N O-RING, 1/8 - #202	4
8	-	BUNA-N O-RING, 1/16 - #033	2
9	MCMASTER 9750K73	POLYETHYLENE PANEL PLUGS 19-20mm (NOT SHOWN)	4

FOR REFERENCE ONLY - NOT FOR RESALE

MILLIMETER WWW.5THAXIS.COM 7140 ENGINEER ROAD SAN DIEGO, CA 92111 P (858) 505-0432			
	DESCRIPTION ROCKLOCK™ 96MM LOW-PROFILE BASE		
THIRD ANGLE PROJECTION 	SIZE B	PART NO. RL96A-68 / RL96S-68	REV B
DO NOT SCALE DRAWING		SCALE 1:2	WEIGHT: SHEET 2 OF 2

8

7

6

5

4

3

2

1