

8

7

6

5

4

3

2

1

MATERIAL: ALUMINIUM

# MTA-4004U-638

D

D

C

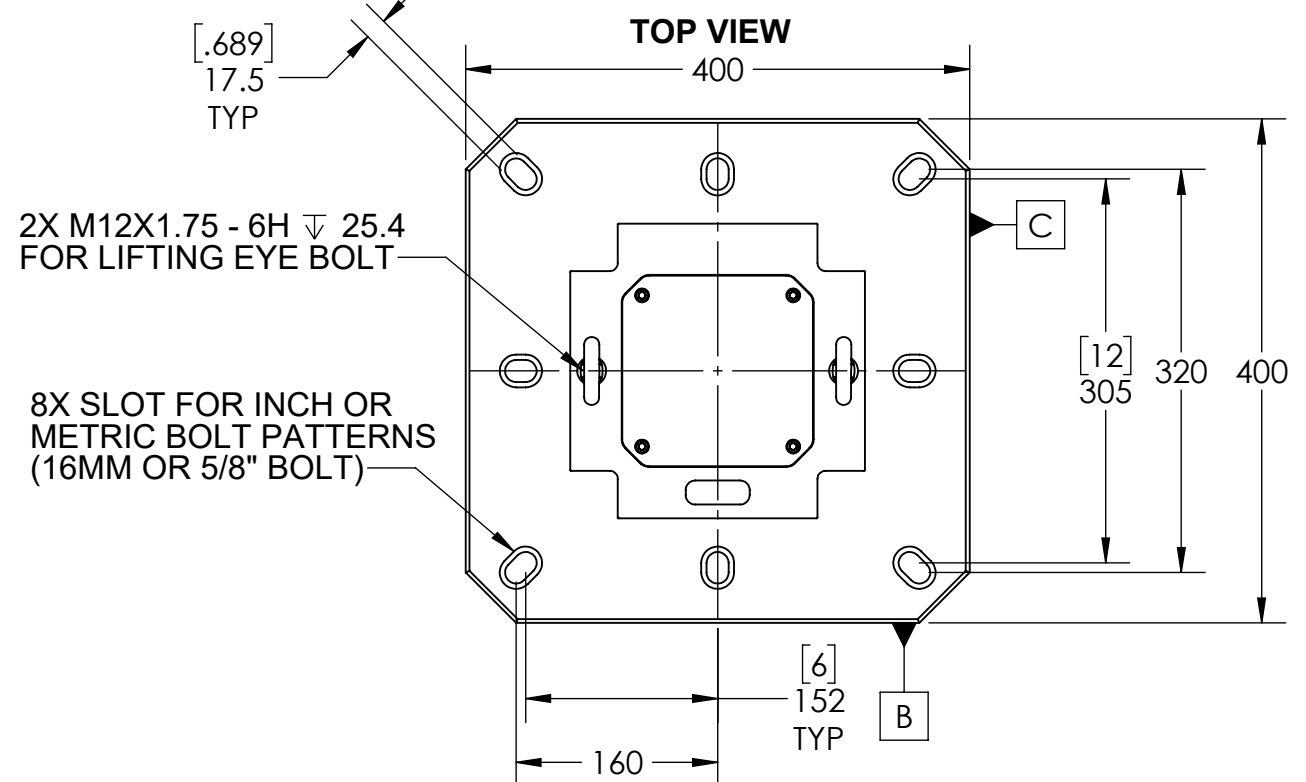
C

B

B

A

A



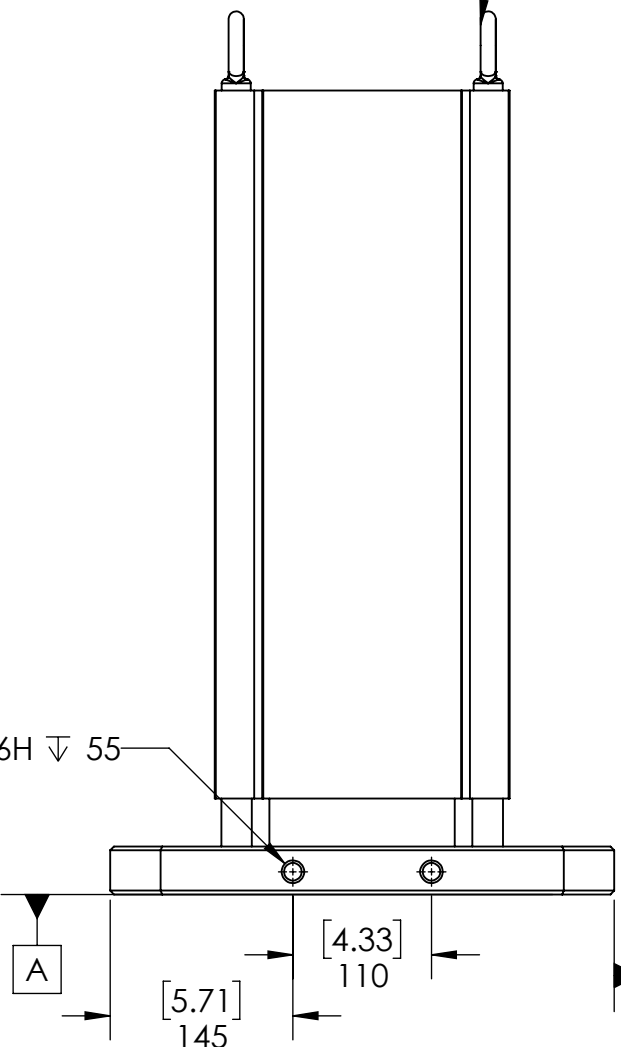
2X M12X1.75 - 6H  $\nabla$  25.4 FOR LIFTING EYE BOLT

8X SLOT FOR INCH OR METRIC BOLT PATTERNS (16MM OR 5/8" BOLT)

2X M16X2.0 - 6H  $\nabla$  55

## FRONT VIEW

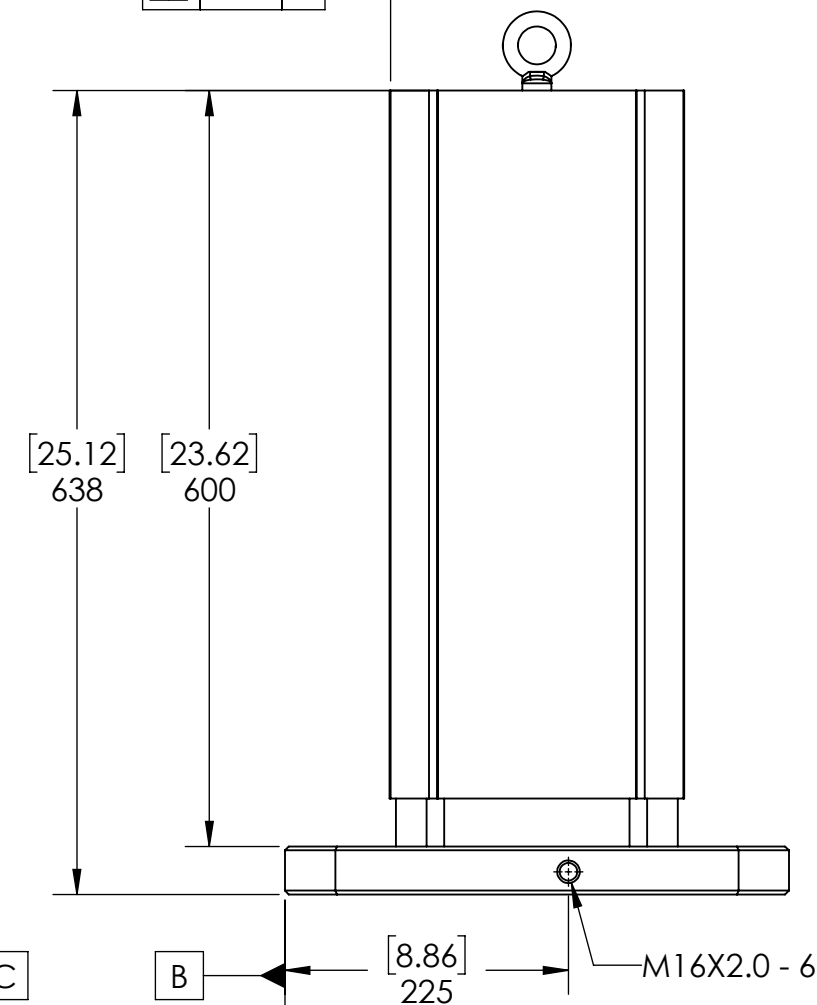
LIFTING EYE BOLT



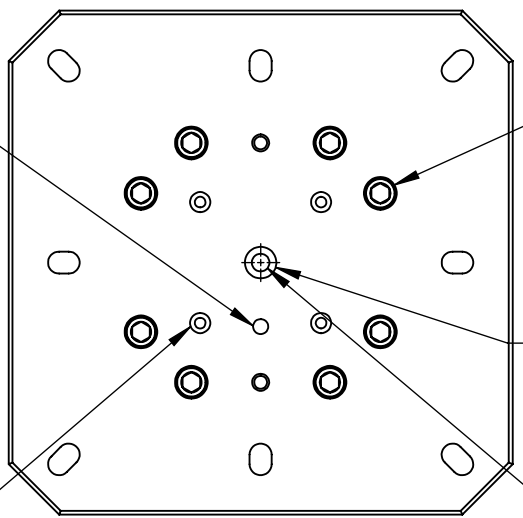
TYPE EACH FACE

|            |      |   |   |   |
|------------|------|---|---|---|
| $\text{R}$ | 0.2  | A | B | C |
| $\perp$    | 0.06 | A |   |   |

## SIDE VIEW



## BOTTOM VIEW



DO NOT REMOVE 8X TOMBSTONE TO BASE MOUNTING BOLTS

$\square$   $\phi$  25.03  $\sqrt{.985}$   $\nabla$  6.00  $\sqrt{0.24}$  CAN BE USED FOR CUSTOMER PROVIDED CENTERING PIN

$\phi$  14  $\nabla$  28  
M16X2.0 - 6H  $\nabla$  22  
 $\nabla$  16 X 90°, NEAR SIDE

ALL OTHER HOLES FOR TEMPORARY FIXTURING ONLY - DO NOT USE DURING MACHINING

DRAIN HOLE

**MILLIMETER**

WWW.5THAXIS.COM

7140 ENGINEER ROAD  
SAN DIEGO, CA 92111  
P (858) 505-0432

THIRD ANGLE PROJECTION



|                      |                      |   |              |
|----------------------|----------------------|---|--------------|
| DESCRIPTION          |                      | <b>MACHINABLE, 400MM TOMBSTONE, ALUMINIUM</b> |              |
| SIZE                 | PART NO.             | REV   |              |
| <b>B</b>             | <b>MTA-4004U-638</b> | <b>A</b>                                      |              |
| DO NOT SCALE DRAWING | SCALE 1:6            | WEIGHT: 69.68kg                               | SHEET 1 OF 2 |

8

7

6

5

4

3

2

1

8

7

6

5

4

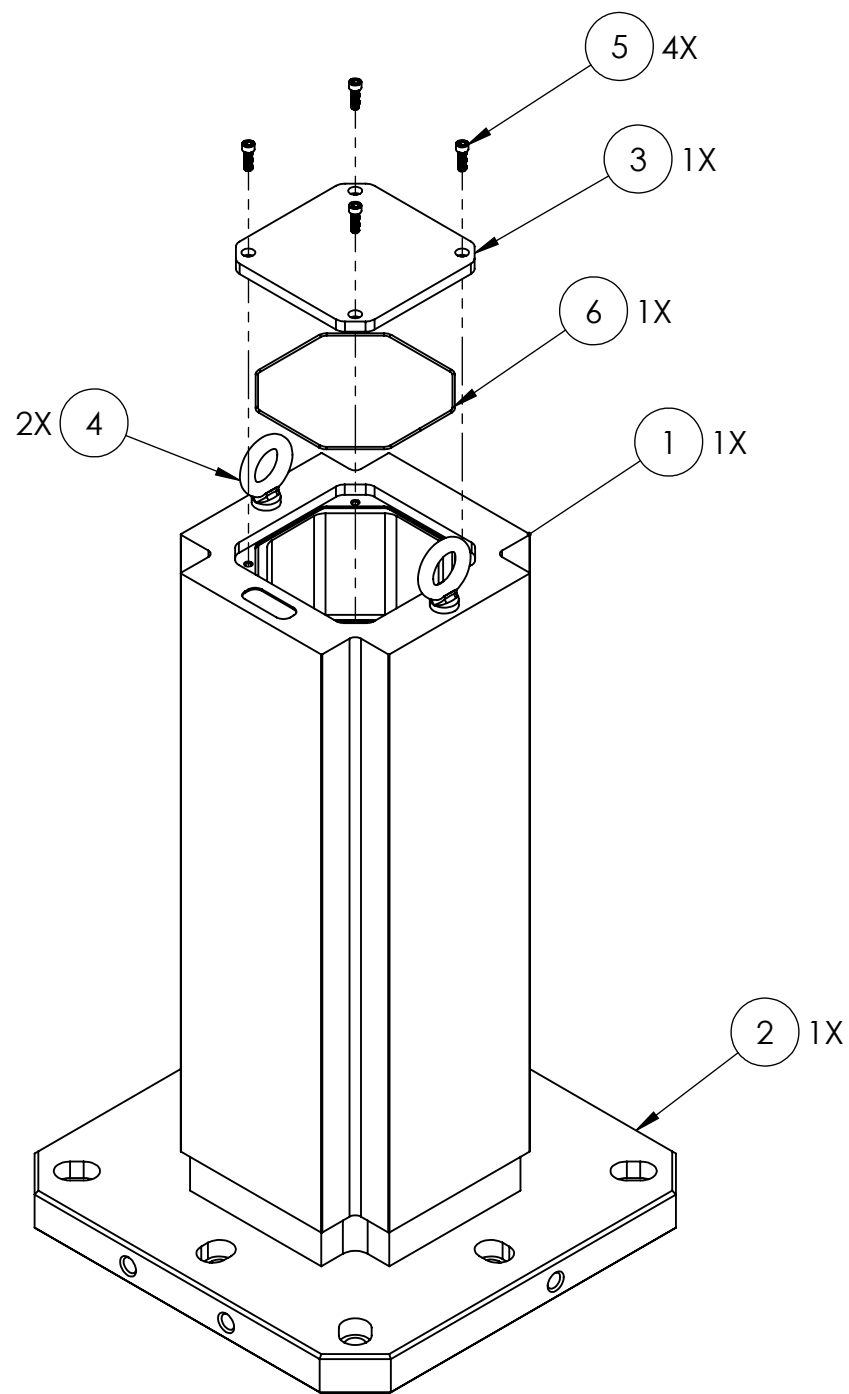
3

2


1

MATERIAL: ALUMINIUM

# MTA-4004U-638



| ITEM NO. | PART NUMBER  | DESCRIPTION                                     | QTY. |
|----------|--------------|---|------|
| 1        | MT-4600A     | 4 SIDED ALUMINUM MACHINABLE TOWER 600MM TALL    | 1    |
| 2        | RL96-4004BUA | 400MM UNIVERSAL BASE FOR 4 SIDED ALUMINUM TOWER | 1    |
| 3        | RL96-14TC    | 96MM ROCKLOCK, 230MM TOMB CAP, ALUMINIUM        | 1    |
| 4        | 3040T15      | Steel Eyebolt - for Lifting                     | 2    |
| 5        | HW.76172     | SOCKET HEAD CAP SCREW, M6x1x20mm                | 4    |
| 6        | -            | O-RING, 156mm ID X 2mm THK, BUNA-N, 70A         | 1    |

|  |          |   |   |              |
|--|----------|---|---|--------------|
| <b>MILLIMETER</b>  |          |  |   |              |
| WWW.5THAXIS.COM<br>7140 ENGINEER ROAD<br>SAN DIEGO, CA 92111<br>P (858) 505-0432 |          |   |   |              |
| THIRD ANGLE PROJECTION   |          | DESCRIPTION   | <b>MACHINABLE, 400MM TOMBSTONE, ALUMINIUM</b> |              |
| SIZE   | PART NO. | <b>MTA-4004U-638</b>  |   | REV          |
| <b>B</b>   |          |   |   | <b>A</b>     |
| DO NOT SCALE DRAWING   |          | SCALE 1:6   | WEIGHT: 69.68kg                               | SHEET 2 OF 2 |

8

7

6

5

4

3

2

1