

8

7

6

5

4

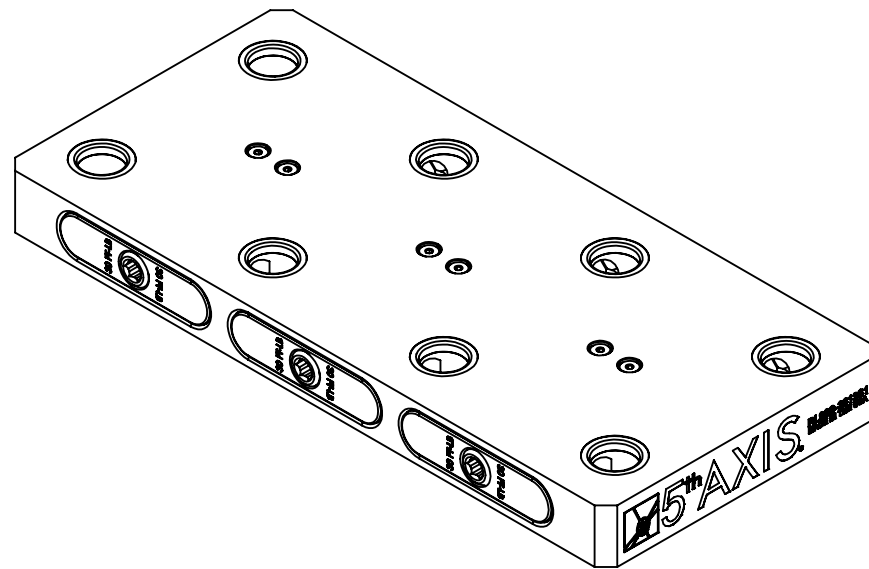
3

2

1

MATERIAL:
RL96A-3613S0: 6061 ALUMINUM BODY

RL96A-3613S0

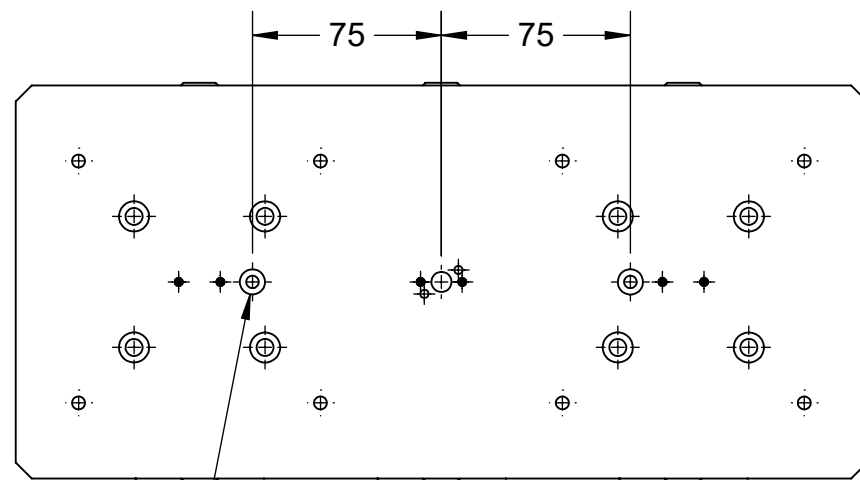
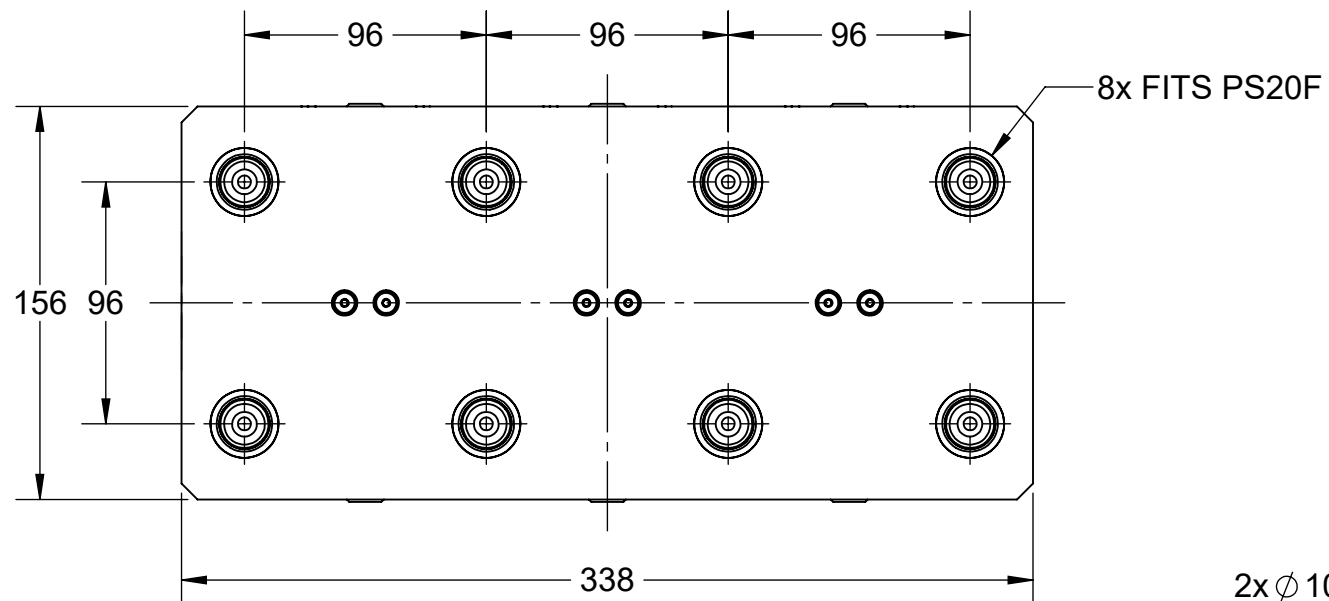


D

D

C

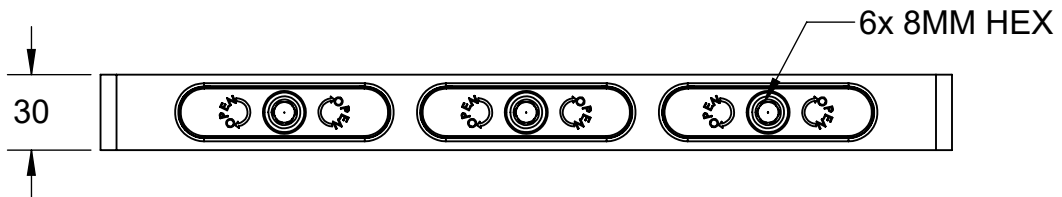
C



2x $\varnothing 10.025^{+0.013}_{0.000} \nabla 8.50$
 M6X1.0 $\nabla 15.0$
FITS LP10


B

B



A

A

MILLIMETER			
WWW.5THAXIS.COM 7140 ENGINEER ROAD SAN DIEGO, CA 92111 P (858) 505-0432			
THIRD ANGLE PROJECTION		DESCRIPTION ROCKLOCK™ 96MM MULTI-POSITION LOW-PROFILE BASE	
SIZE B	PART NO. RL96A-3613S0	REV B	
DO NOT SCALE DRAWING		SCALE 1:3	WEIGHT:
		SHEET 1 OF 3	

8

7

6

5

4

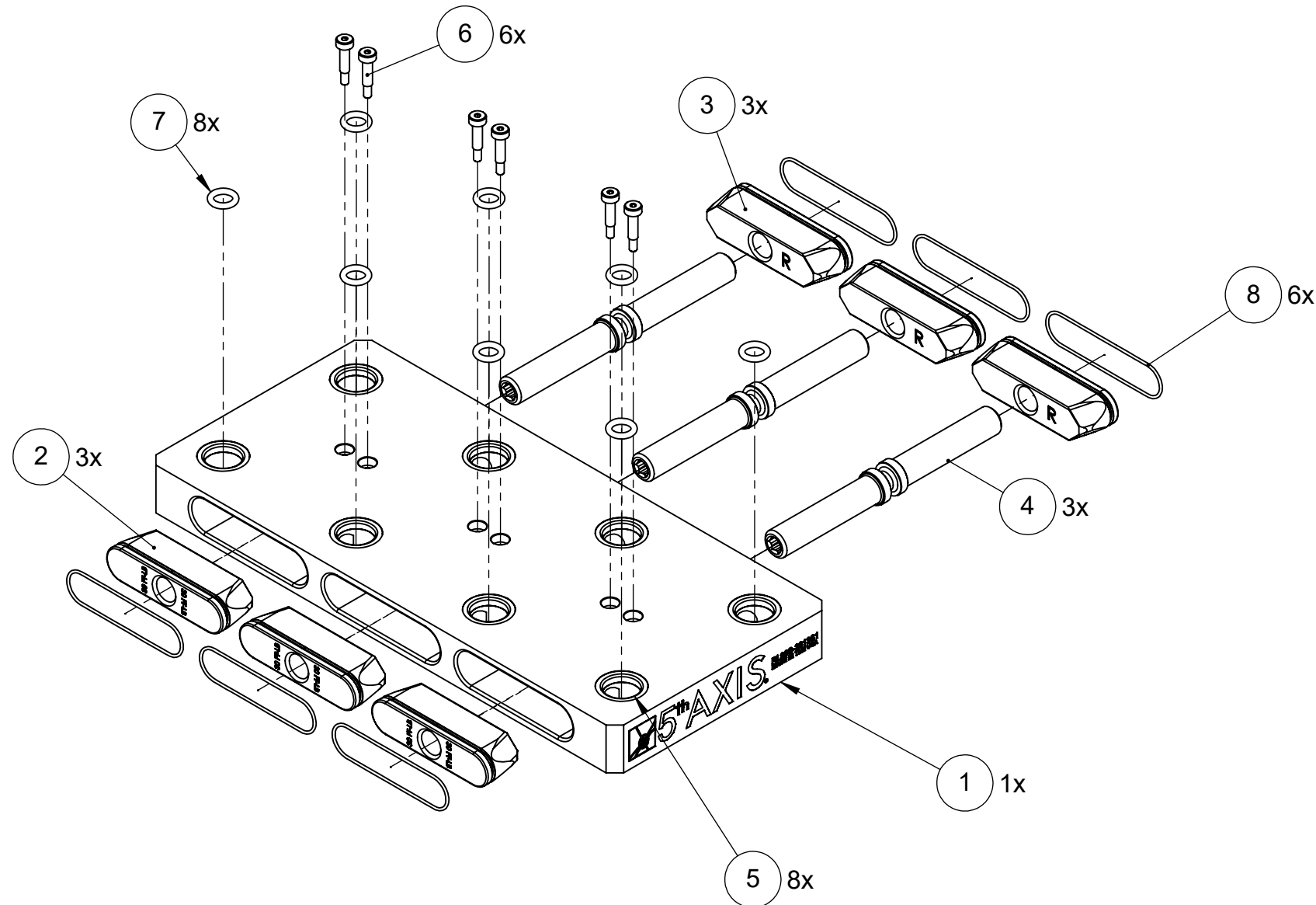
3

2

1

MATERIAL:
RL96A-3613S0: 6061 ALUMINUM BODY

RL96A-3613S0



NOTE:
 NOT CUSTOMER
 REMOVABLE/
 SERVICEABLE

ITEM NO.	PART NUMBER	DESCRIPTION	QTY.
1	RL96-1613S1A	ROCKLOCK™ BASE	1
2	RL96-2L	LEFT ROCKLOCK™ TRUCK	3
3	RL96-2R	RIGHT ROCKLOCK™ TRUCK	3
4	RL96-3	ROCKLOCK™ LEAD SCREW	3
5	27X20.DB	PRECISION BUSHING	8
6	SB54	SHOULDER BOLT	6
7	-	BUNA-N O-RING, 1/8 - #202	8
8	-	BUNA-N O-RING, 1/16 - #033	6
9	MCMASTER 9750K73	POLYETHYLENE PANEL PLUGS 19-20mm (NOT SHOWN)	8
FOR REFERENCE ONLY - NOT FOR RESALE			

MILLIMETER			
WWW.5THAXIS.COM		ROCKLOCK™ 96MM MULTI-POSITION LOW-PROFILE BASE	
7140 ENGINEER ROAD SAN DIEGO, CA 92111 P (858) 505-0432			
THIRD ANGLE PROJECTION		SIZE B	PART NO. RL96A-3613S0
		DO NOT SCALE DRAWING	
		SCALE 1:3	SHEET 2 OF 3

D

C

B

A

D

C

B

A

8

7

6

5

4

3

2

1

8

7

6

5

4

3

2

1

8

7

6

5

4

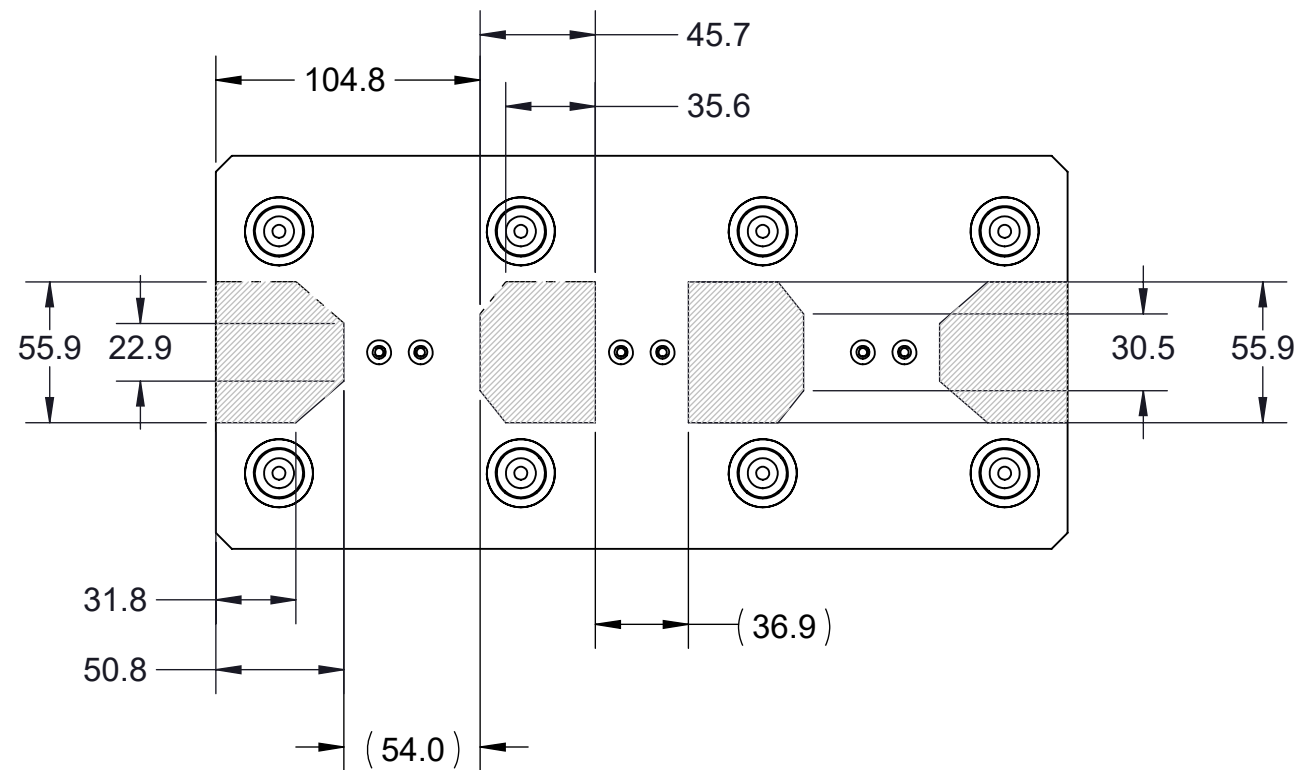
3

2

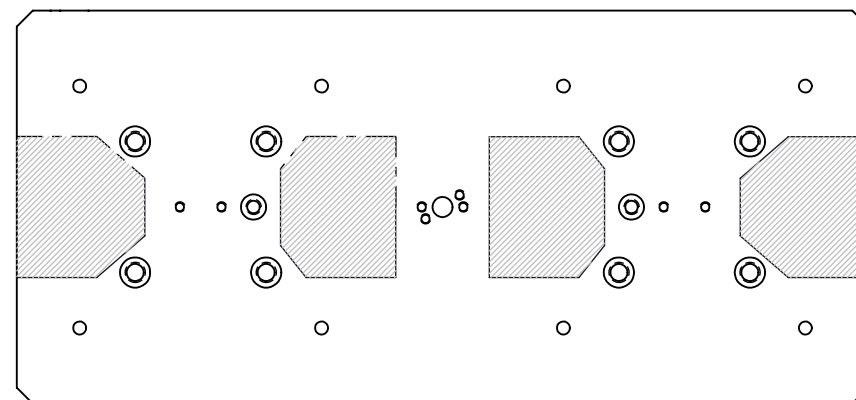
1


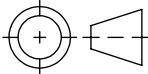
NOTES:
ONLY DRILL IN SHADED AREAS

RL96A-3613S0



BOTTOM VIEW



MILLIMETER				
WWW.5THAXIS.COM 7140 ENGINEER ROAD SAN DIEGO, CA 92111 P (858) 505-0432				
THIRD ANGLE PROJECTION		SIZE	PART NO.	REV
		B	RL96A-3613S0	B
DO NOT SCALE DRAWING		SCALE 1:3	WEIGHT:	SHEET 3 OF 3

8

7

6

5

4

3

2

1

D

D

C

C

B

B

A

A