

8

7

6

5

4

3

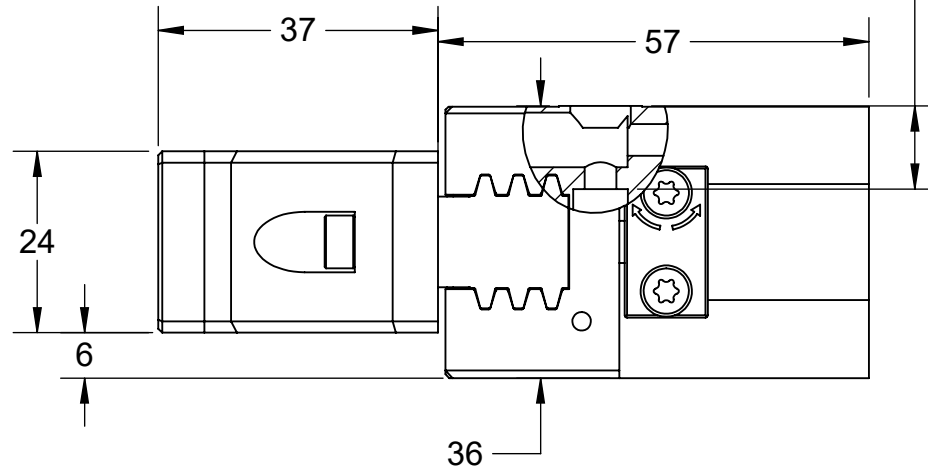
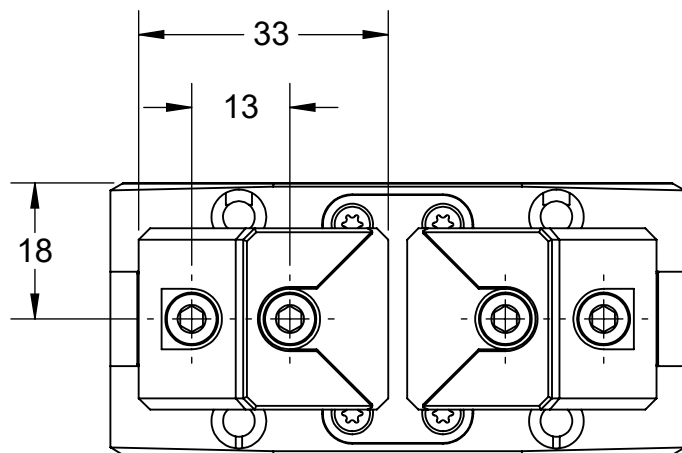
2

1

D

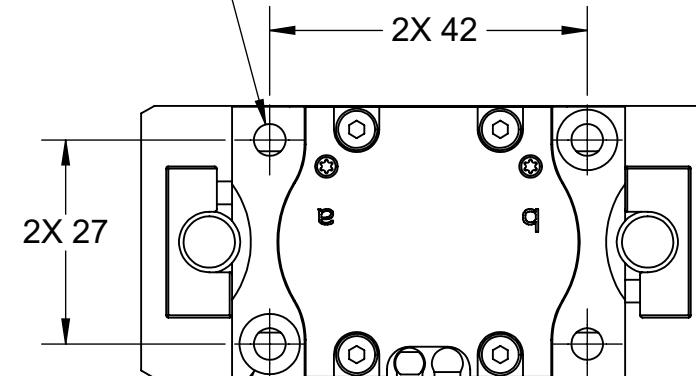
D

AG-12



2X 11
TO C-BORE
FOR M4

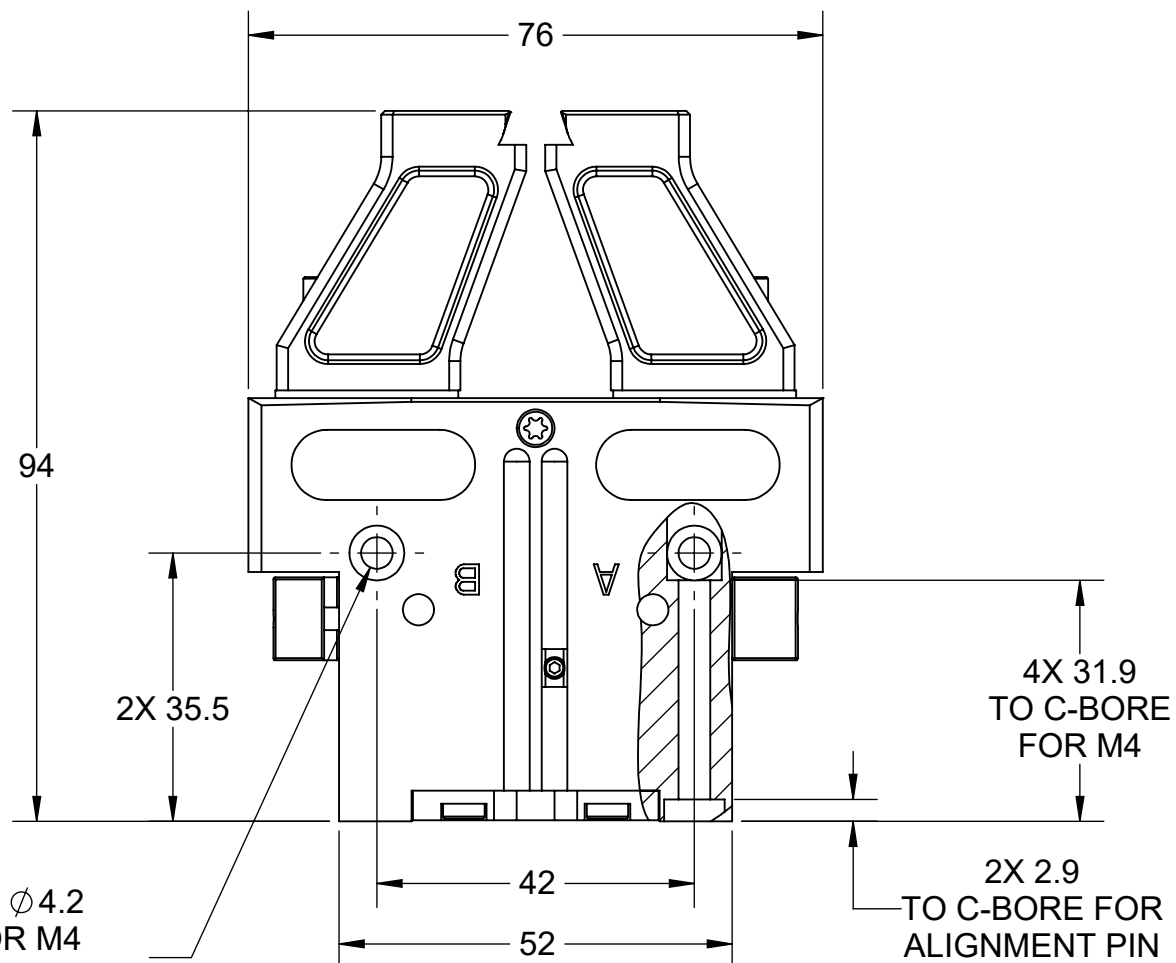
4X ϕ 4.2
FOR M4
SOCKET HEAD
CAP SCREW
(INSTALLED FROM
OPPOSITE SIDE)



2X ϕ 8.0
FOR ALIGNMENT PIN

C

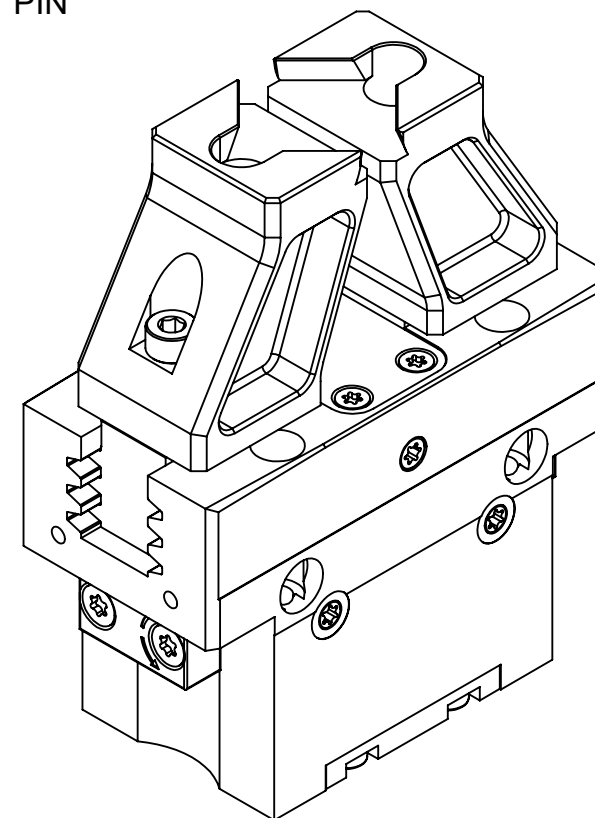
C



2X ϕ 4.2
FOR M4
SOCKET HEAD
CAP SCREW

2X 2.9
TO C-BORE FOR
ALIGNMENT PIN

4X 31.9
TO C-BORE
FOR M4



B

B

A

A

MILLIMETER			
WWW.5THAXIS.COM			
7140 ENGINEER ROAD SAN DIEGO, CA 92111 P (858) 505-0432		DESCRIPTION AUTOMATION SOLUTIONS, GRIPPER ASSEMBLY	
THIRD ANGLE PROJECTION	SIZE B	PART NO. AG-12	REV A
DO NOT SCALE DRAWING		SCALE 1:1	WEIGHT: 0.48kg
		SHEET 1 OF 2	

8

7

6

5

4

3

2

1

8

7

6

5

4

3

2

1

D

D

C

C

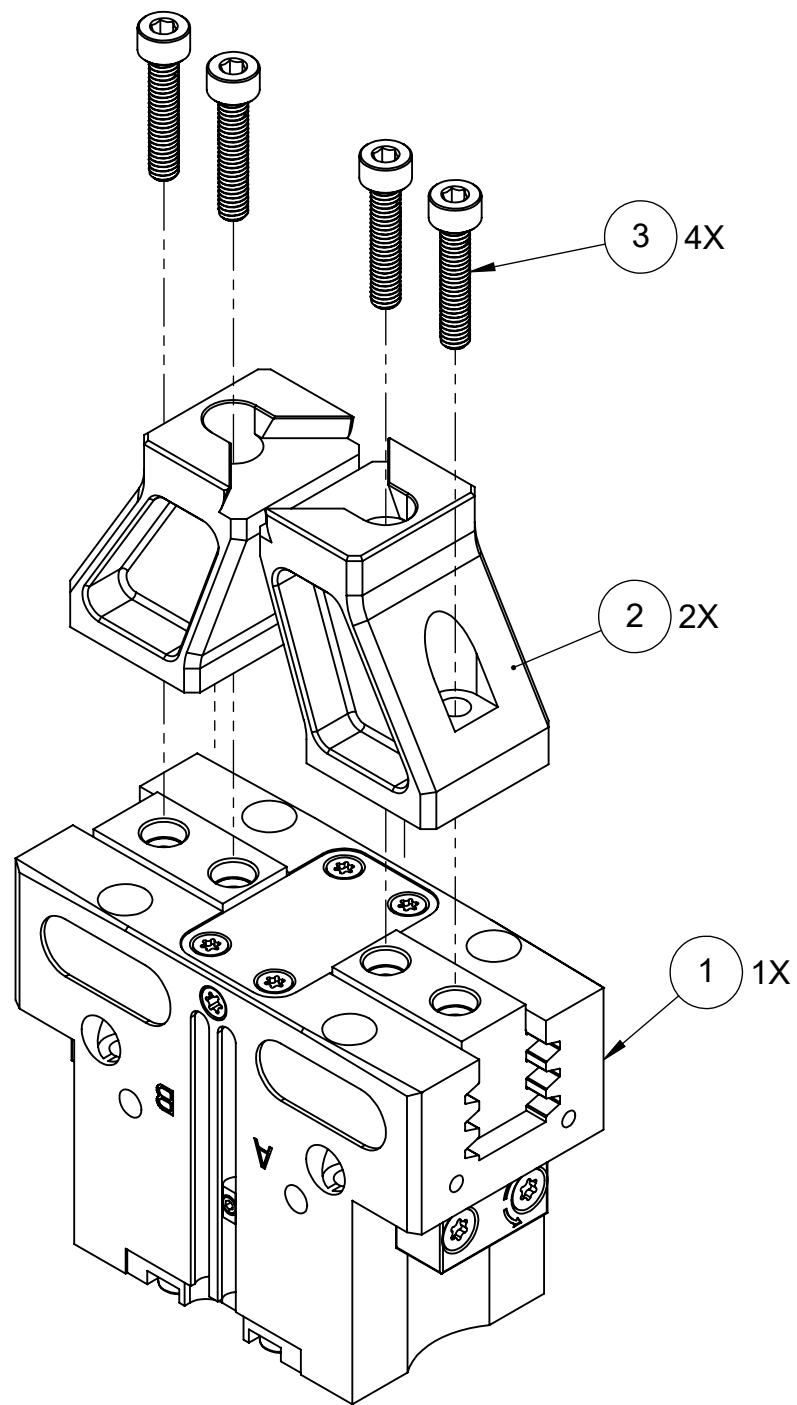
B

B


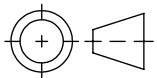
A

A

AG-12



ITEM NO.	PART NUMBER	DESCRIPTION	QTY.
1	0318499	SCHUNK PGN-PLUS-P 64-2-AS	1
2	AS-52-1	AUTOMATION SOLUTIONS, GRIPPER, 52MM, JAW	2
3	-	SOCKET HEAD SCREW, M4x0.7x20mm	4

MILLIMETER			
WWW.5THAXIS.COM 7140 ENGINEER ROAD SAN DIEGO, CA 92111 P (858) 505-0432			
THIRD ANGLE PROJECTION		DESCRIPTION	
		AUTOMATION SOLUTIONS, GRIPPER ASSEMBLY	
SIZE	PART NO.	REV	
B	AG-12	A	
DO NOT SCALE DRAWING		SCALE 1:1	WEIGHT: 0.48kg
		SHEET 2 OF 2	

8

7

6

5

4

3

2

1