

8

7

6

5

4

3

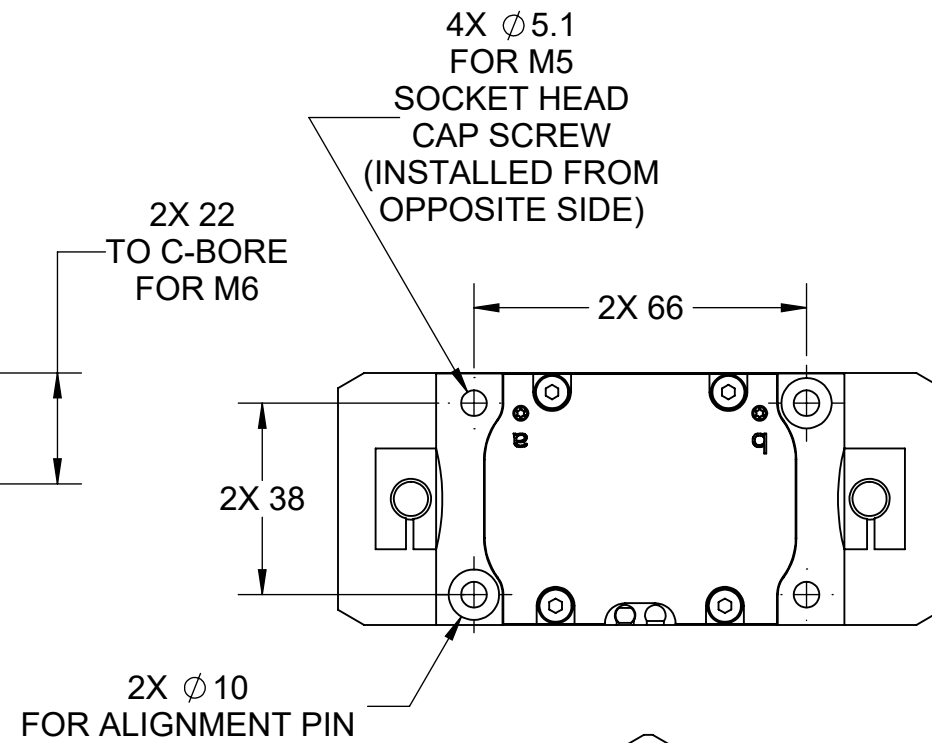
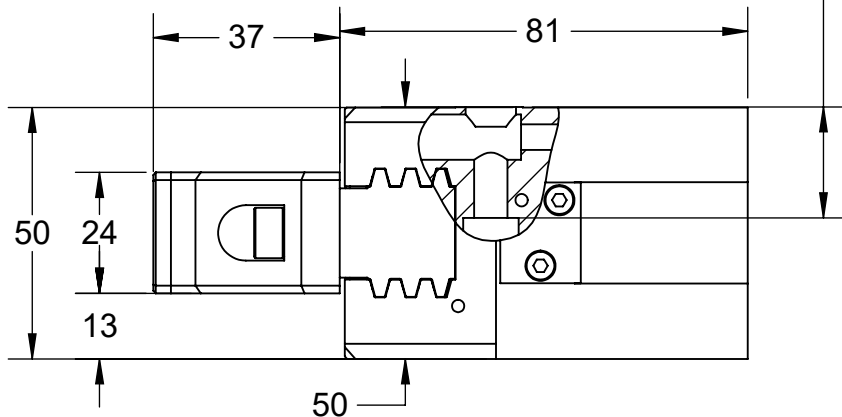
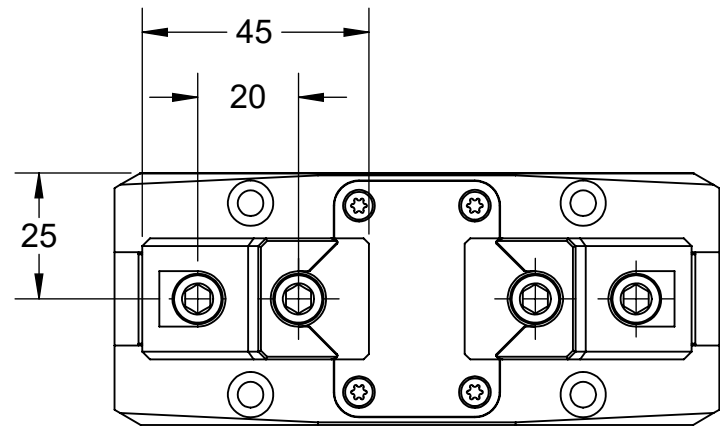
2

1

D

D

AS-96

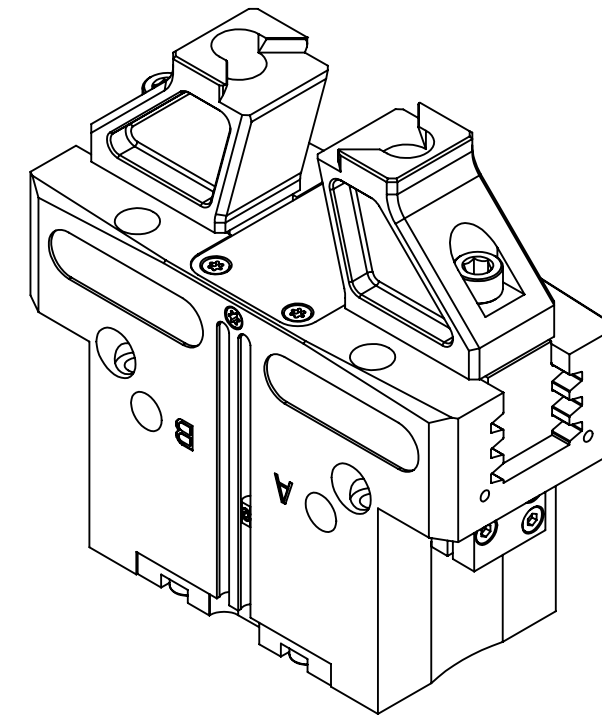
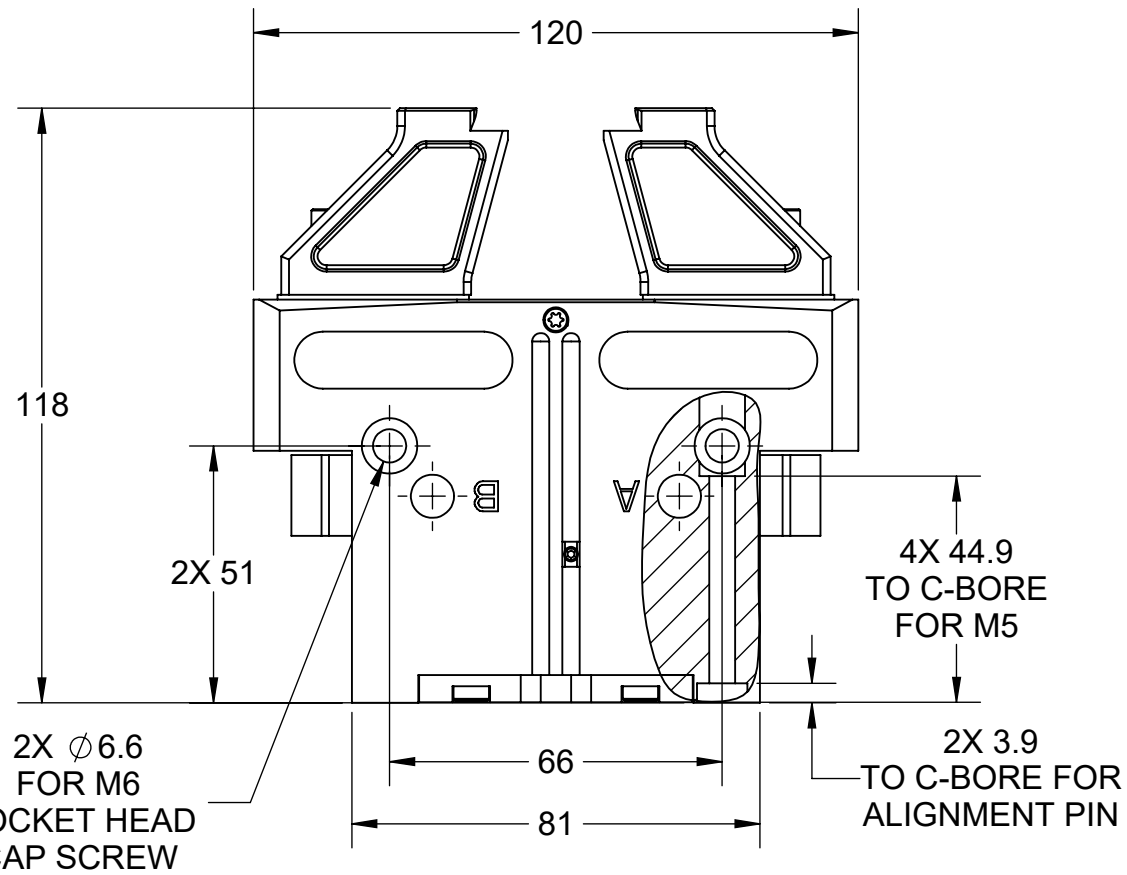


C

C


B

B



A

A

MILLIMETER				
WWW.5THAXIS.COM 7140 ENGINEER ROAD SAN DIEGO, CA 92111 P (858) 505-0432				
THIRD ANGLE PROJECTION		DESCRIPTION	AUTOMATION SOLUTIONS, GRIPPER ASSEMBLY	
SIZE	PART NO.	AS-96		REV
B				A
DO NOT SCALE DRAWING		SCALE 1:1.5	WEIGHT: 1.22kg	SHEET 1 OF 2

8

7

6

5

4

3

2

1

8

7

6

5

4

3

2

1

D

D

AS-96

C

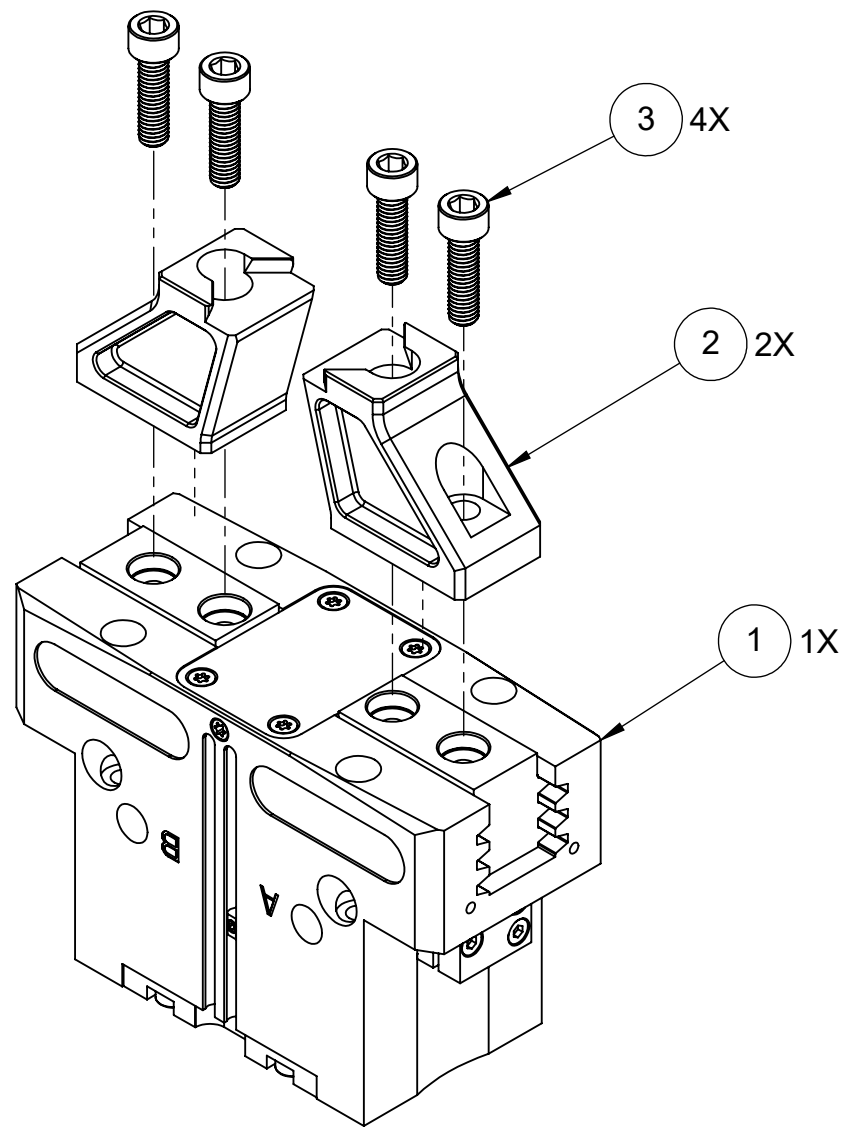
C

B


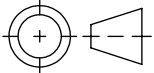
B

A

A



ITEM NO.	PART NUMBER	DESCRIPTION	QTY.
1	0318547	SCHUNK PGN-PLUS-P 100-2-AS	1
2	AS-96-1	AUTOMATION SOLUTIONS, GRIPPER, 96MM, JAW	2
3	-	SOCKET HEAD SCREW, M6x1x22mm	4

MILLIMETER			
WWW.5THAXIS.COM 7140 ENGINEER ROAD SAN DIEGO, CA 92111 P (858) 505-0432			
THIRD ANGLE PROJECTION		AUTOMATION SOLUTIONS, GRIPPER ASSEMBLY	
	SIZE B	PART NO. AS-96	REV A
DO NOT SCALE DRAWING		SCALE 1:1.5	WEIGHT: 1.22kg
		SHEET 2 OF 2	

8

7

6

5

4

3

2

1