

8

7

6

5

4

3

2

1

D

D

AS-C96

C

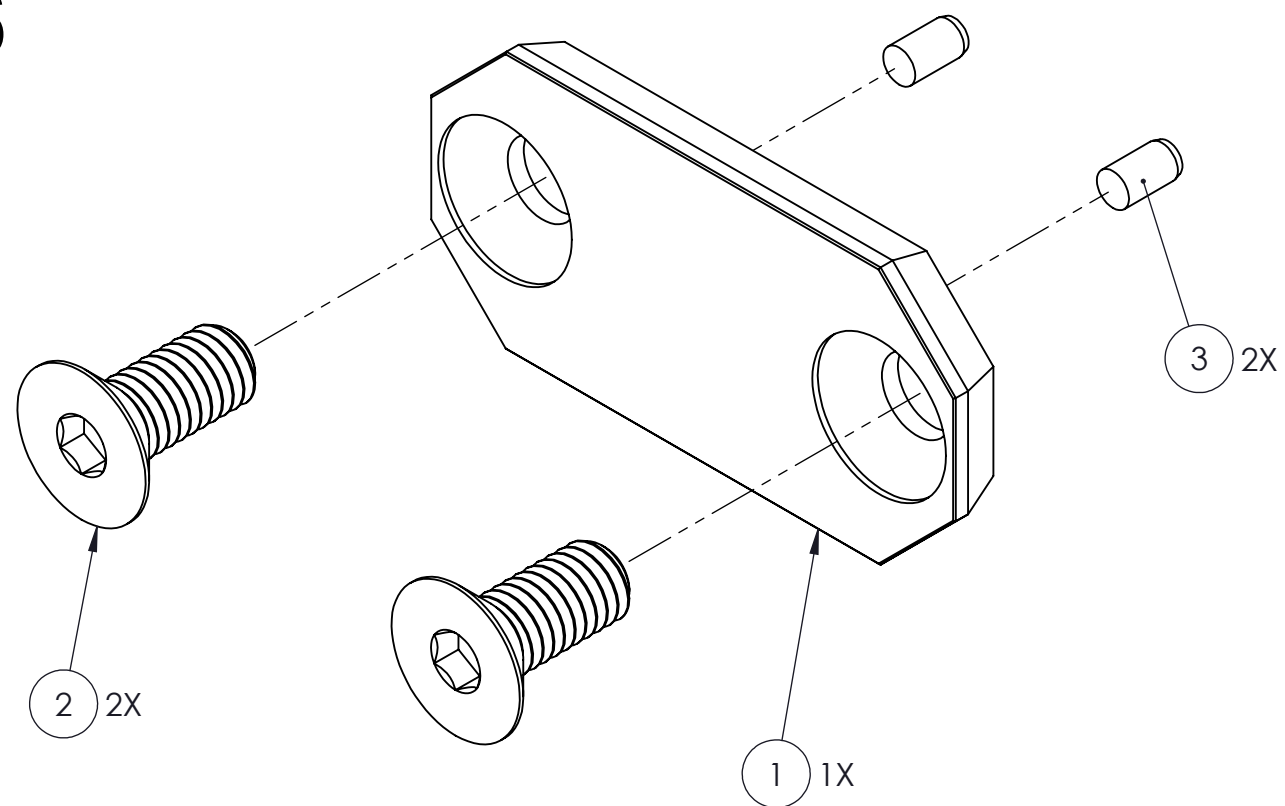
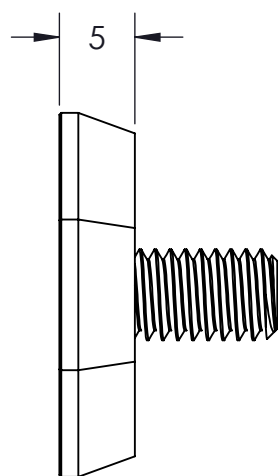
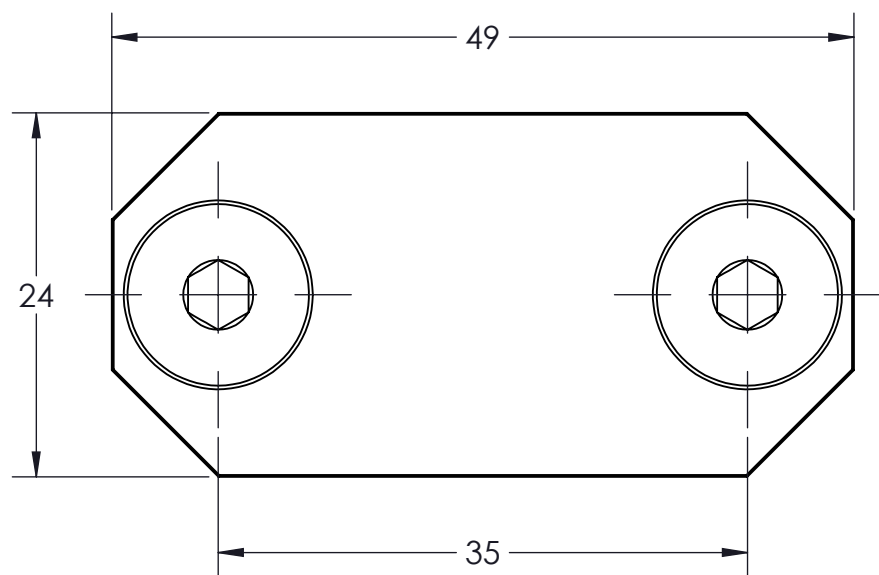
C

B

B

A

A



ITEM NO.	PART NUMBER	DESCRIPTION	QTY.
1	AS-C	AUTOMATION SOLUTIONS, CLEAT	1
2	M6X14MM.FHCS	M6X1.0X14MM ALLOY STEEL FHCS, ZINC	2
3	M3X6.DP	DOWEL PIN, 3MM DIA. X 6MM, ALLOY STEEL	2

MILLIMETER			
WWW.5THAXIS.COM			
7140 ENGINEER ROAD SAN DIEGO, CA 92111 P (858) 505-0432		DESCRIPTION AUTOMATION SOLUTIONS, 96MM LOW PROFILE CLEAT	
THIRD ANGLE PROJECTION	SIZE B	PART NO. AS-C96	REV A
DO NOT SCALE DRAWING		SCALE 2:1	WEIGHT:
		SHEET 1 OF 1	

8

7

6

5

4

3

2

1