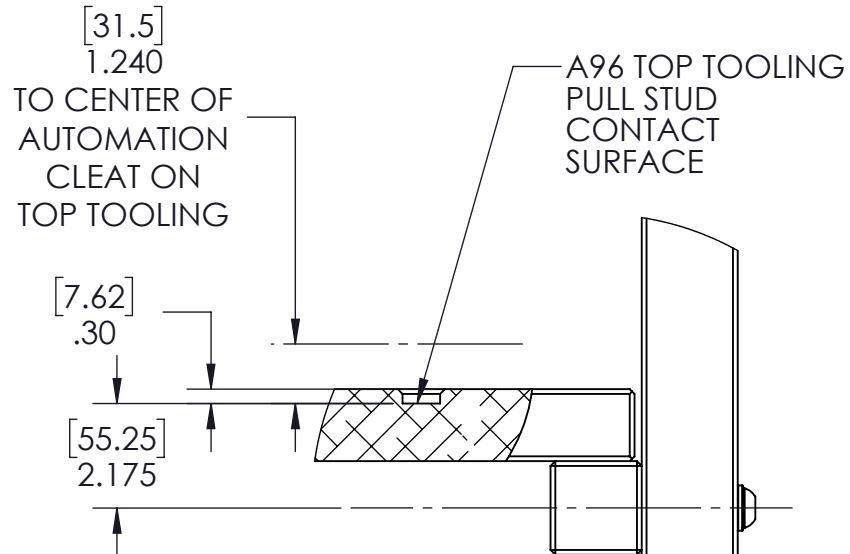
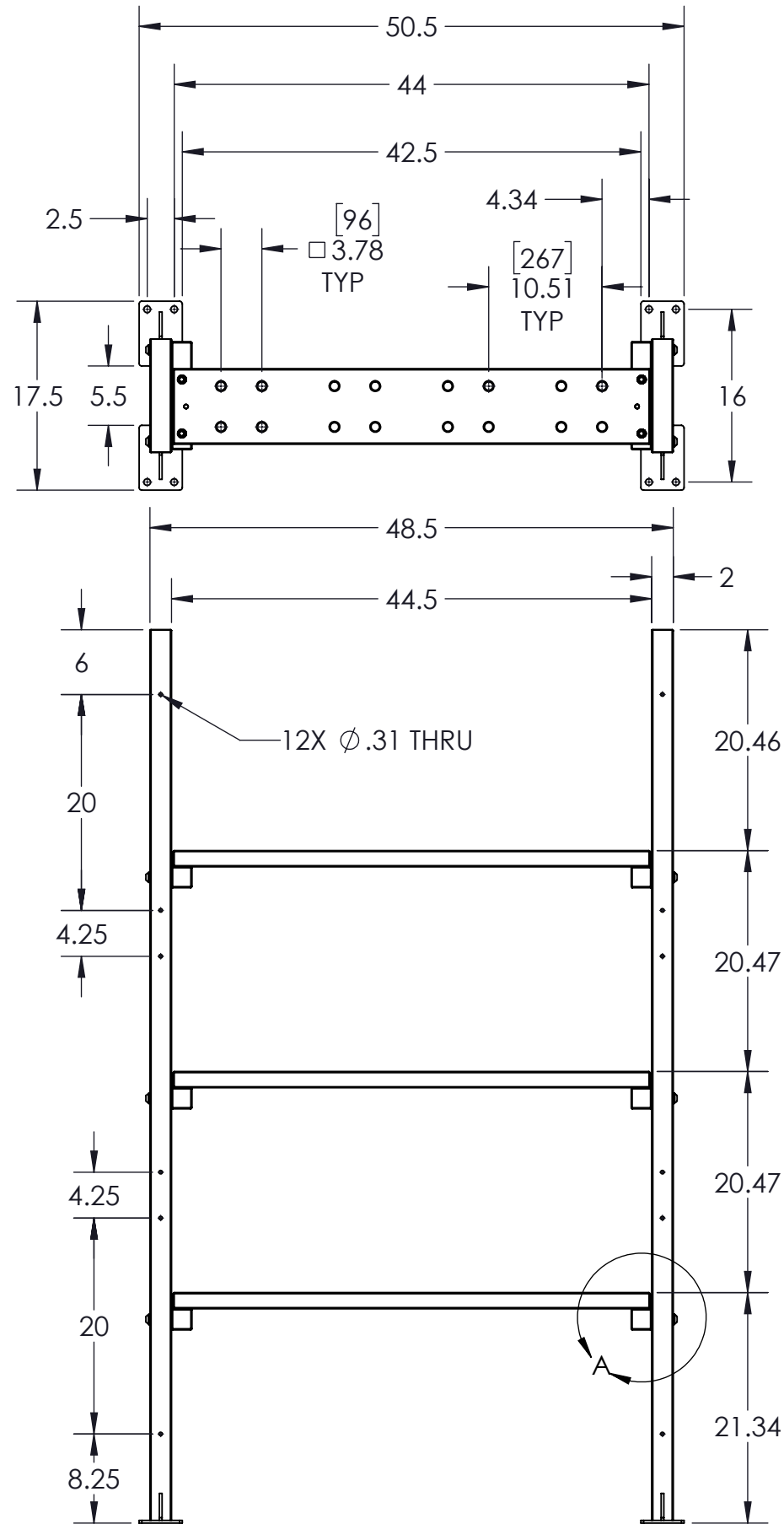
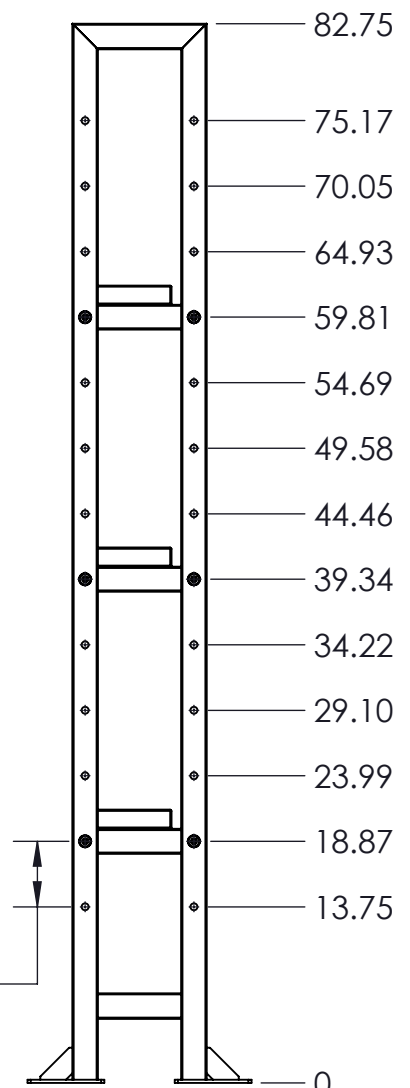
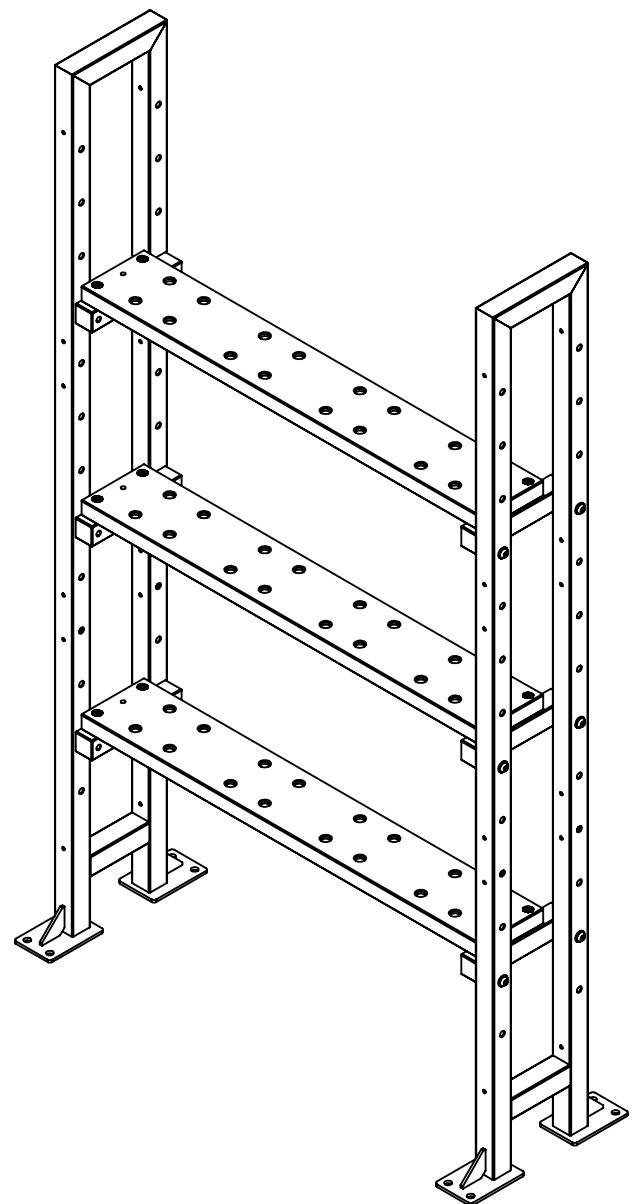


# AS-R3



DETAIL A  
SCALE 1 : 4



<b>INCH</b> WWW.5THAXIS.COM 7140 ENGINEER ROAD SAN DIEGO, CA 92111 P (858) 505-0432			
THIRD ANGLE PROJECTION		DESCRIPTION <b>AUTOMATION, RACK WITH SHELVES</b>	
SIZE <b>B</b>	PART NO. <b>AS-R3</b>	WEIGHT:	REV
DO NOT SCALE DRAWING		SCALE 1:15	SHEET 1 OF 2

8

7

6

5

4

3

2

1

D

D

C

C

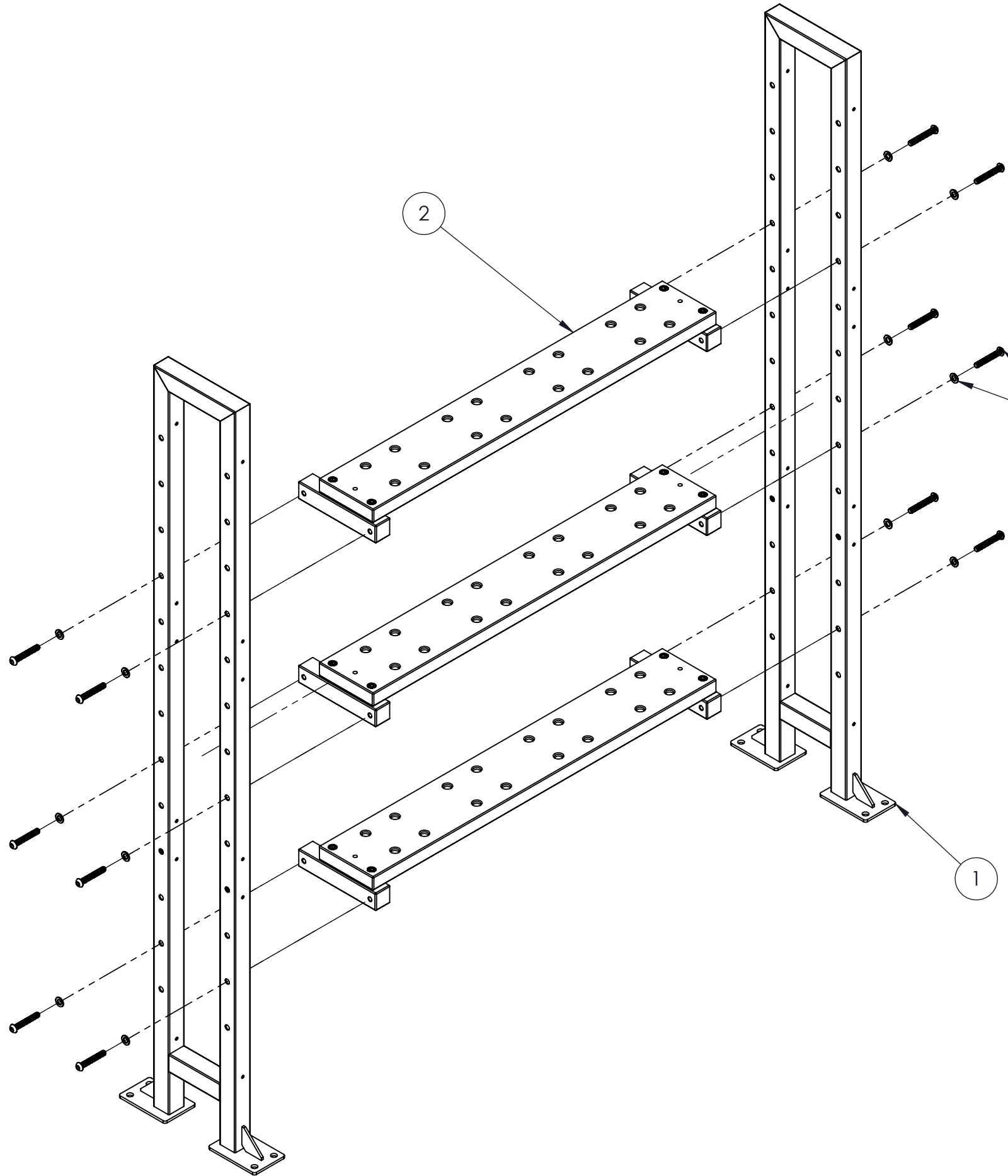
B

B

A


A

# AS-R3



HARDWARE INCLUDED IN AS-RS

ITEM NO.	PART NUMBER	DESCRIPTION	QTY.
1	AS-RU	AUTOMATION, RACK, UPRIGHT	2
2	AS-RS	AUTOMATION, RACK, SHELF KIT	3

<b>INCH</b>				
WWW.5THAXIS.COM 7140 ENGINEER ROAD SAN DIEGO, CA 92111 P (858) 505-0432				
THIRD ANGLE PROJECTION		DESCRIPTION	<b>AUTOMATION, RACK WITH SHELVES</b>	
SIZE	PART NO.	REV		
<b>B</b>	<b>AS-R3</b>			
DO NOT SCALE DRAWING		SCALE 1:11	WEIGHT:	SHEET 2 OF 2

8

7

6

5

4

3

2

1