

8

7

6

5

4

3

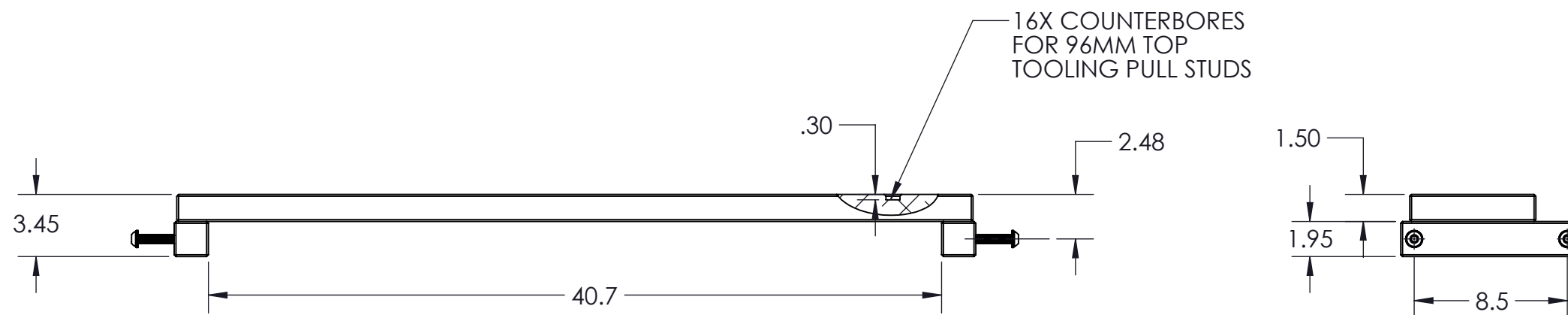
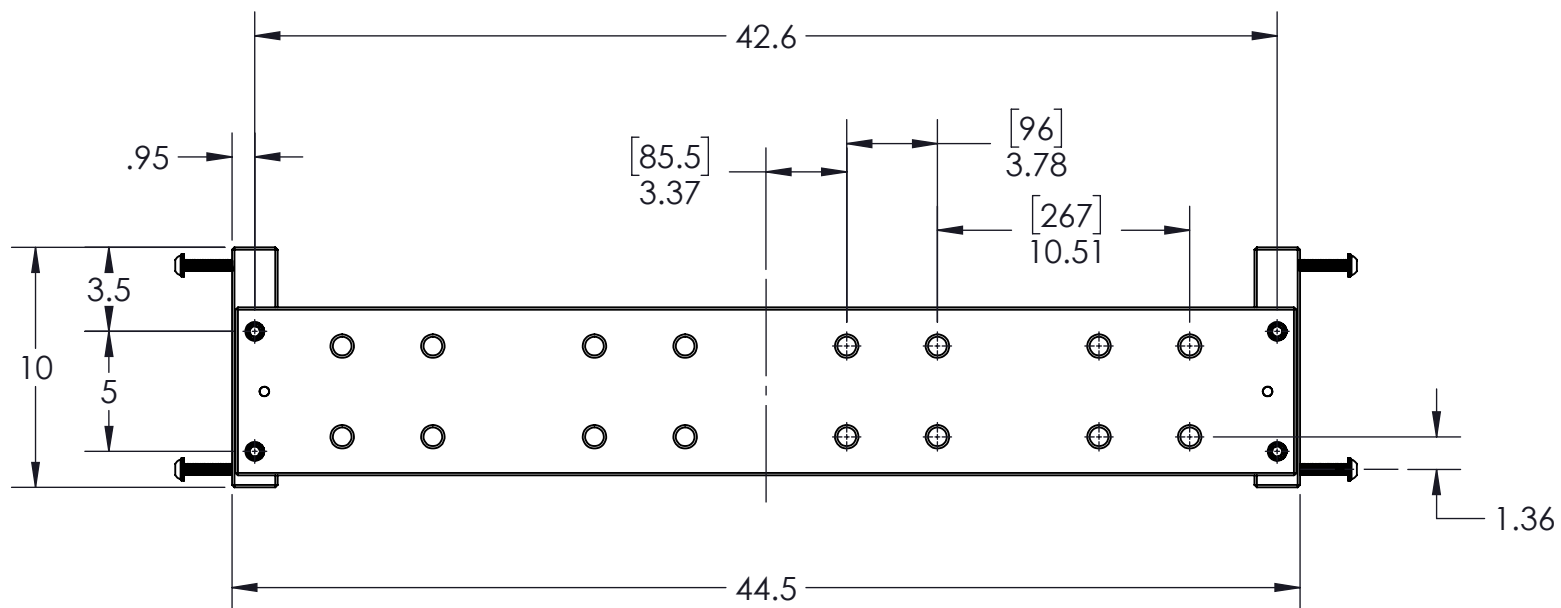
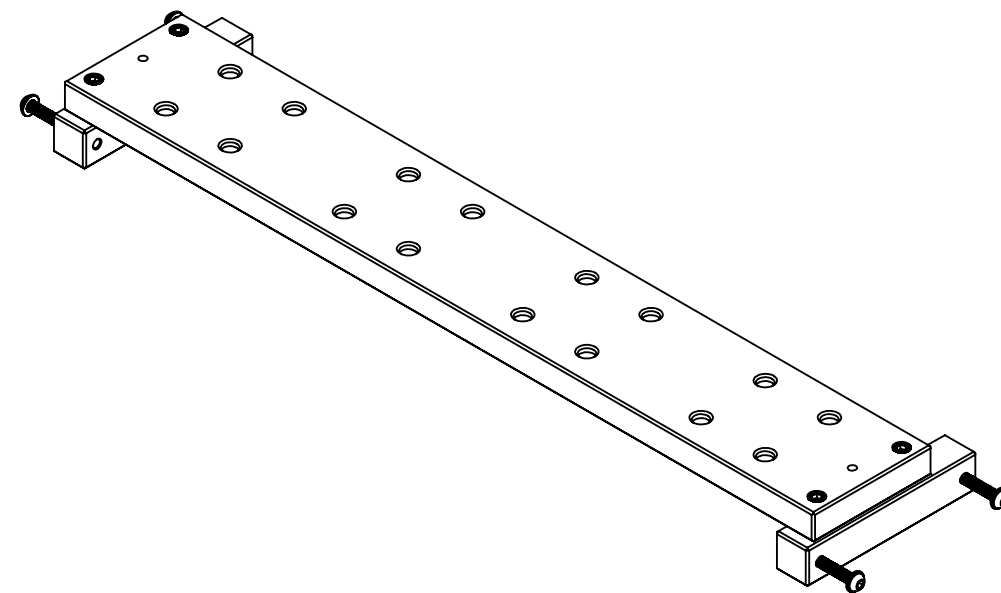
2

1

D

D

# AS-RS



16X COUNTERBORES  
FOR 96MM TOP  
TOOLING PULL STUDS

C

C

B

B

A

A

8

7

6


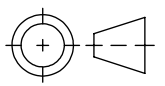
5

4

3

2

1

<b>MILLIMETER</b>				
WWW.5THAXIS.COM 7140 ENGINEER ROAD SAN DIEGO, CA 92111 P (858) 505-0432				
THIRD ANGLE PROJECTION		SIZE	PART NO.	REV
		<b>B</b>	<b>AS-RS</b>	<b>B</b>
DO NOT SCALE DRAWING		SCALE 1:8	WEIGHT: 21.45 kg	SHEET 1 OF 2

8

7

6

5

4

3

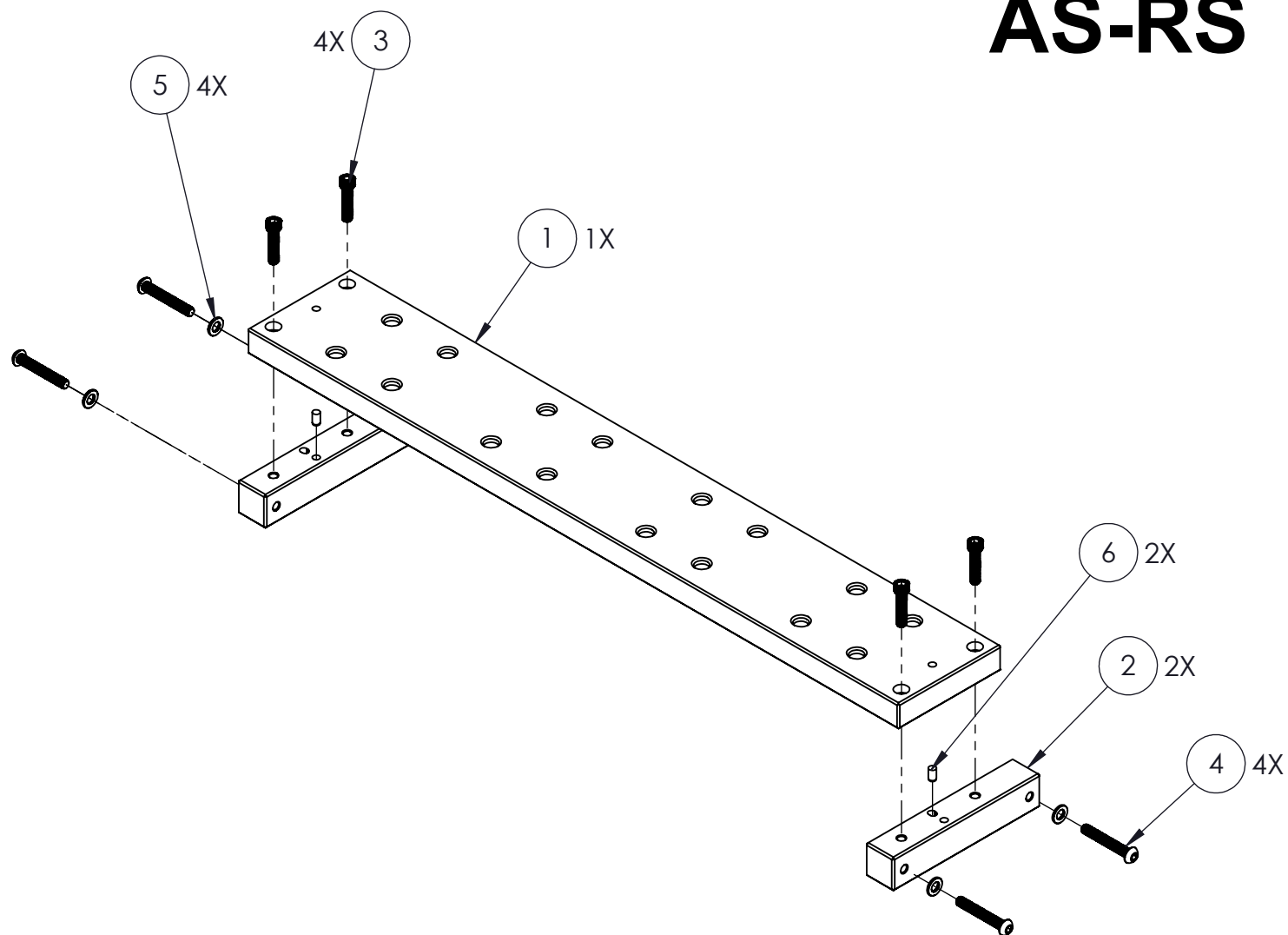
2

1

D

D

# AS-RS



C

C


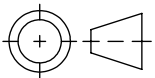
B

B

ITEM NO.	PART NUMBER	DESCRIPTION	QTY.
1	ASD-S-3-96	SHELF	1
2	AS-R-2	POST TO SHELF ADAPTER	2
3	-	SOCKET HEAD SCREW, M12x1.75x50mm	4
4	-	BUTTON HEAD CAP SCREW M12 x 1.75 mm X 80 mm	4
5	-	ZINC-PLATED STEEL WASHER, M12 X 24mm OD	4
6	-	10x20mm DOWEL PIN	2

A

A

<b>MILLIMETER</b>			
WWW.5THAXIS.COM 7140 ENGINEER ROAD SAN DIEGO, CA 92111 P (858) 505-0432			
THIRD ANGLE PROJECTION		DESCRIPTION	
		<b>AUTOMATION, RACK, SHELF KIT</b>	
SIZE	PART NO.	REV	
<b>B</b>	<b>AS-RS</b>	<b>B</b>	
DO NOT SCALE DRAWING		SCALE 1:8	WEIGHT: 21.45 kg
			SHEET 2 OF 2

8

7

6

5

4

3

2

1