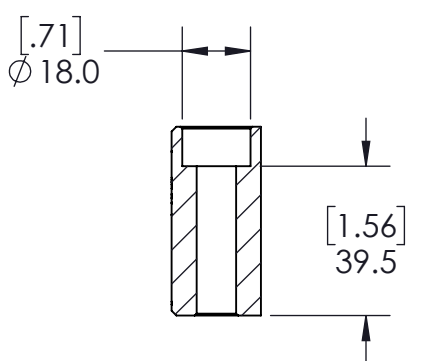
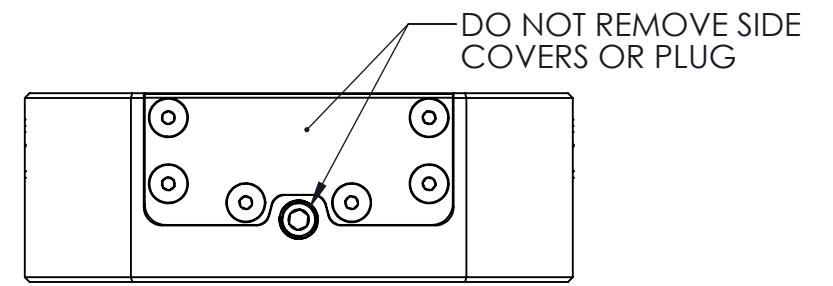
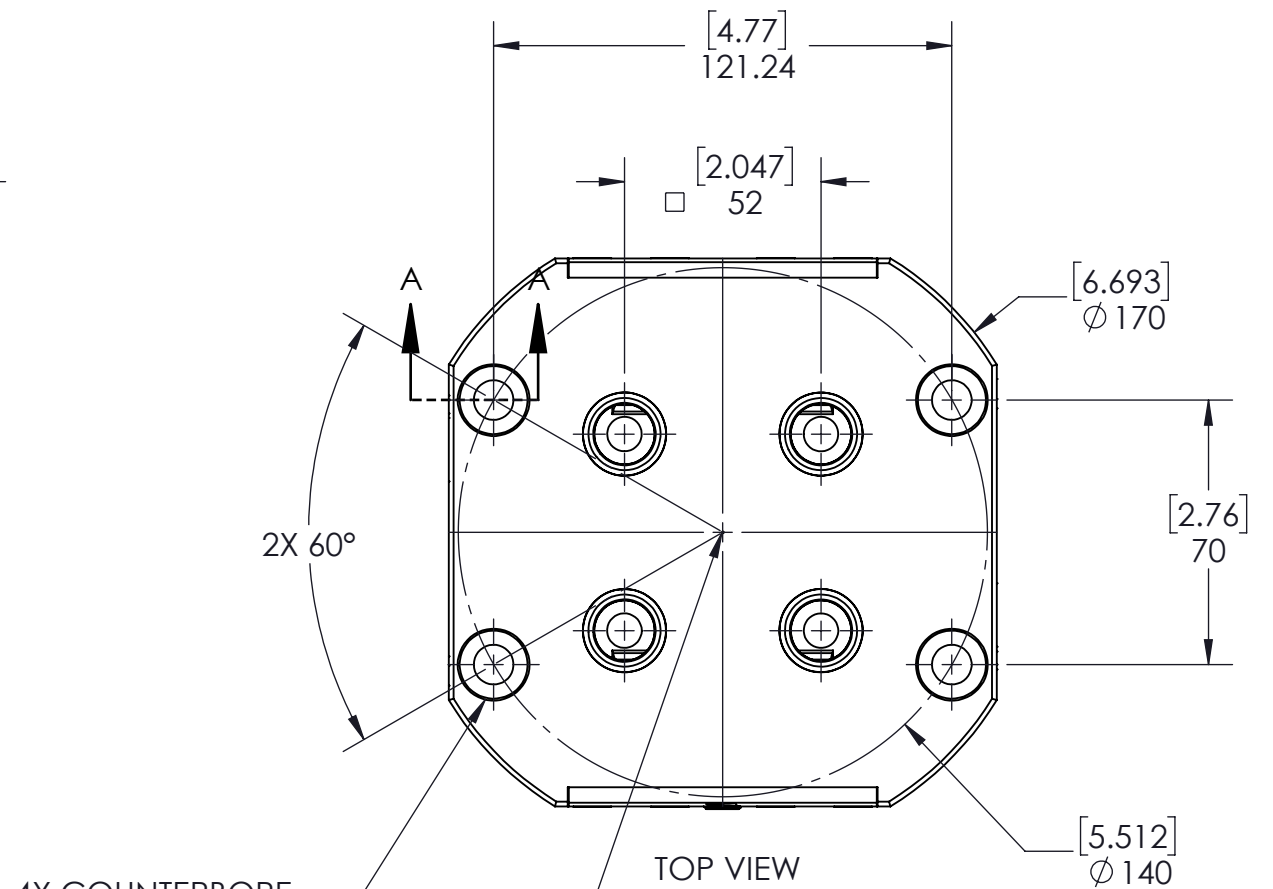
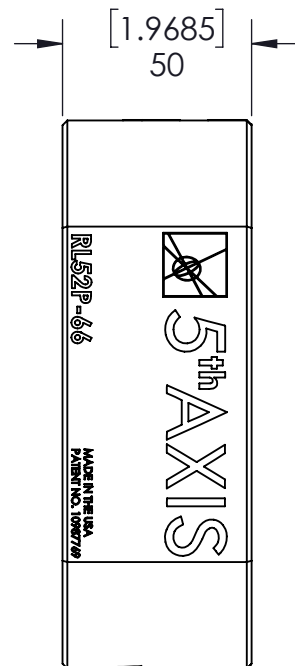
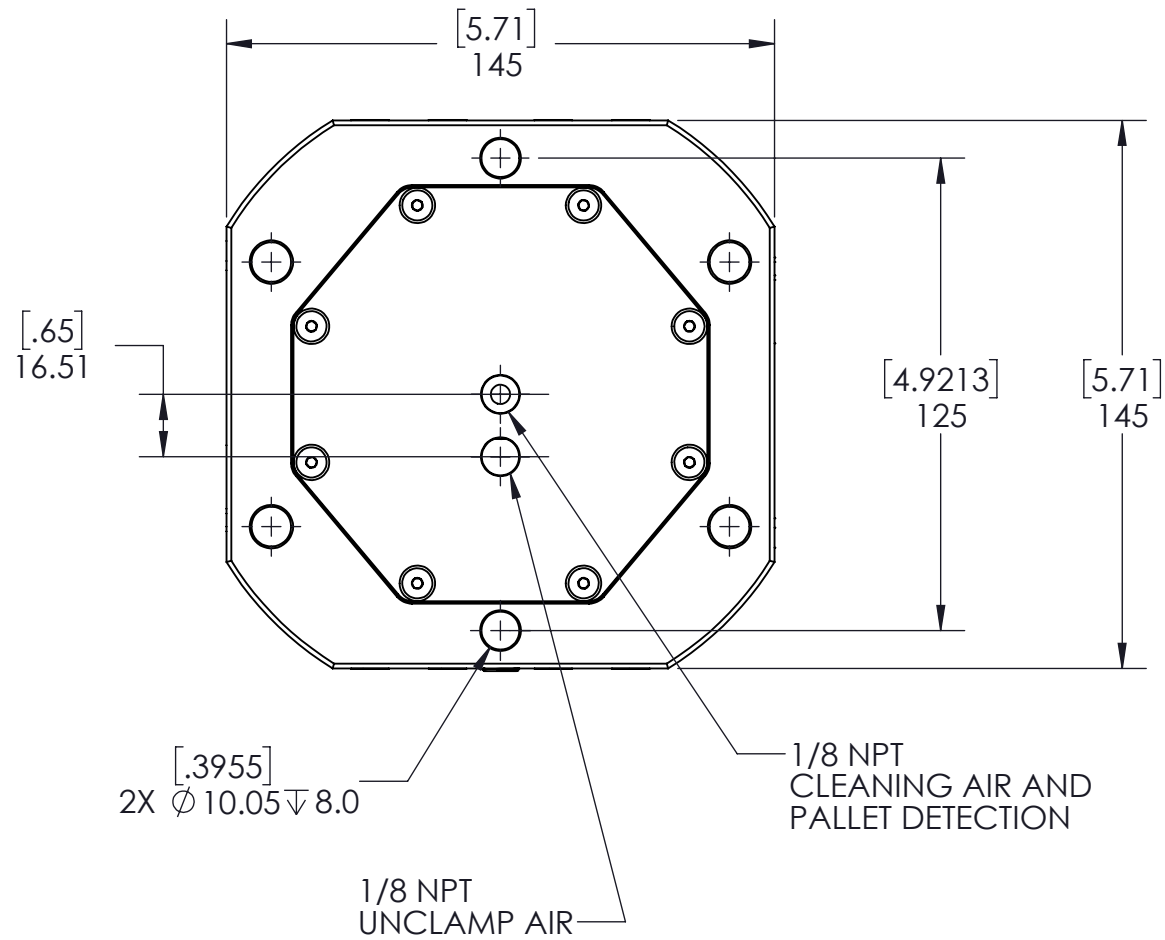

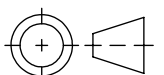


**NOTES:**  
**AIR THRU BOTTOM CONFIGURATION**  
**WORKING PRESSURE RANGE:**  
**80 PSI [.55 MPa] MIN**  
**130 PSI [.9 MPa] MAX**

# RL52P-66A



<b>MILLIMETER</b>			
WWW.5THAXIS.COM		DESCRIPTION	
7140 ENGINEER ROAD SAN DIEGO, CA 92111 P (858) 505-0432		<b>52MM PNEUMATIC ROCKLOCK™ CHUCK, BOTTOM PORT</b>	
THIRD ANGLE PROJECTION	SIZE	PART NO.	REV
	<b>B</b>	<b>RL52P-66A</b>	<b>B</b>
DO NOT SCALE DRAWING		SCALE 1:2	WEIGHT:
		SHEET 1 OF 1	