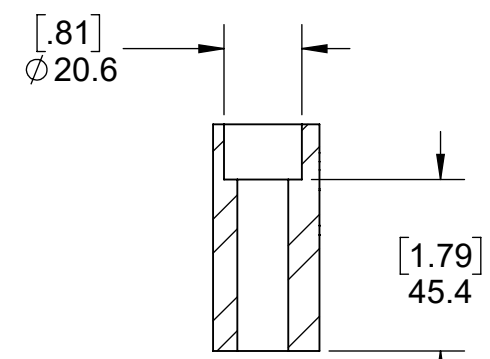
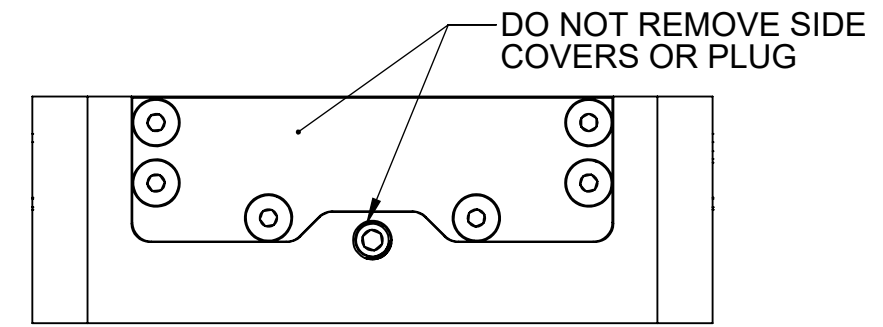
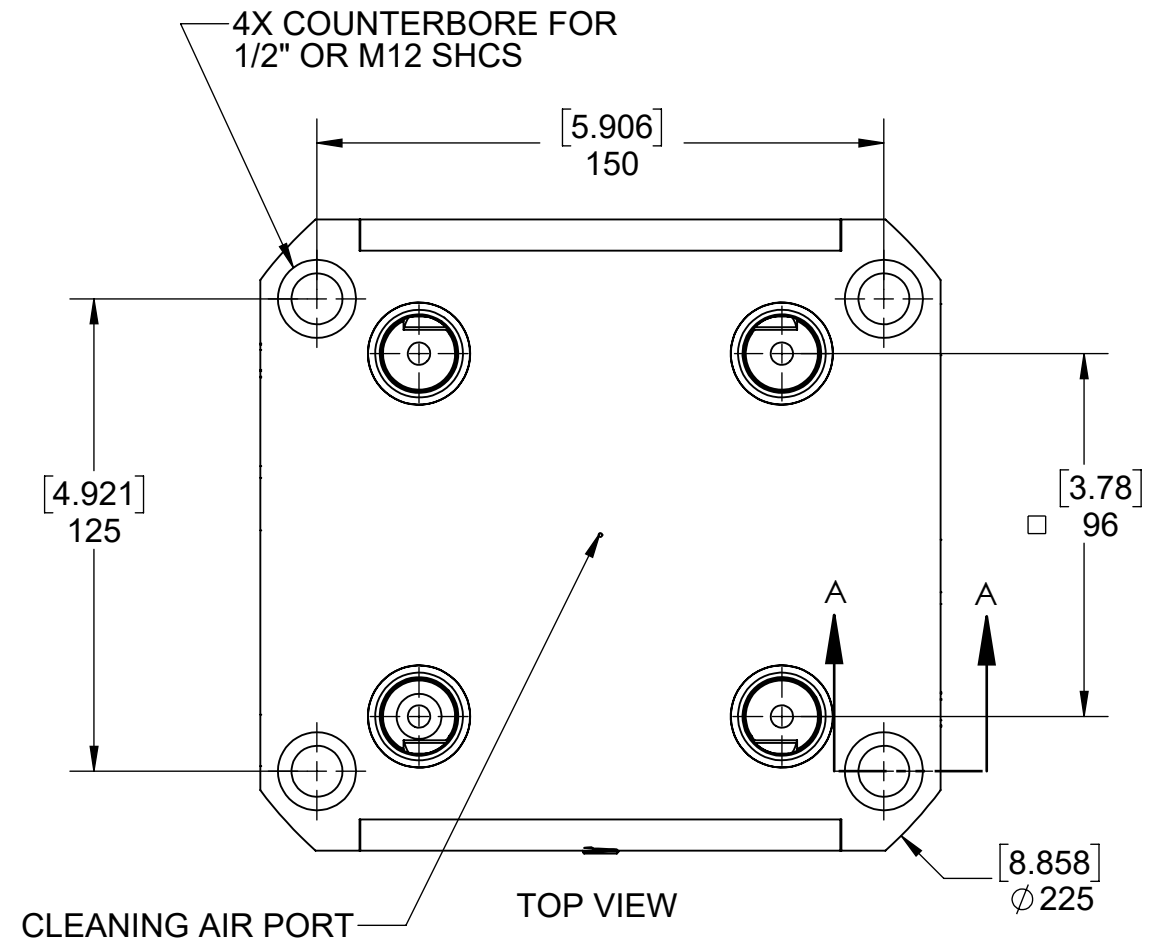
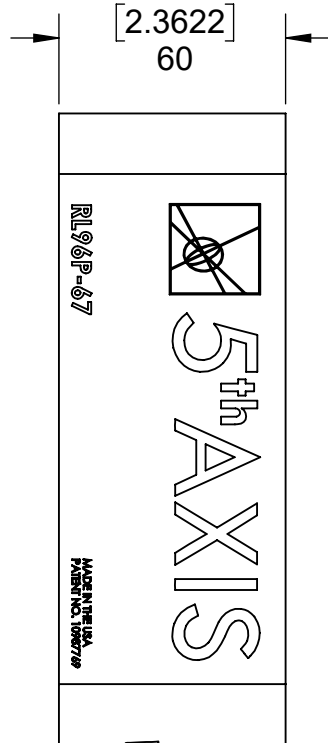
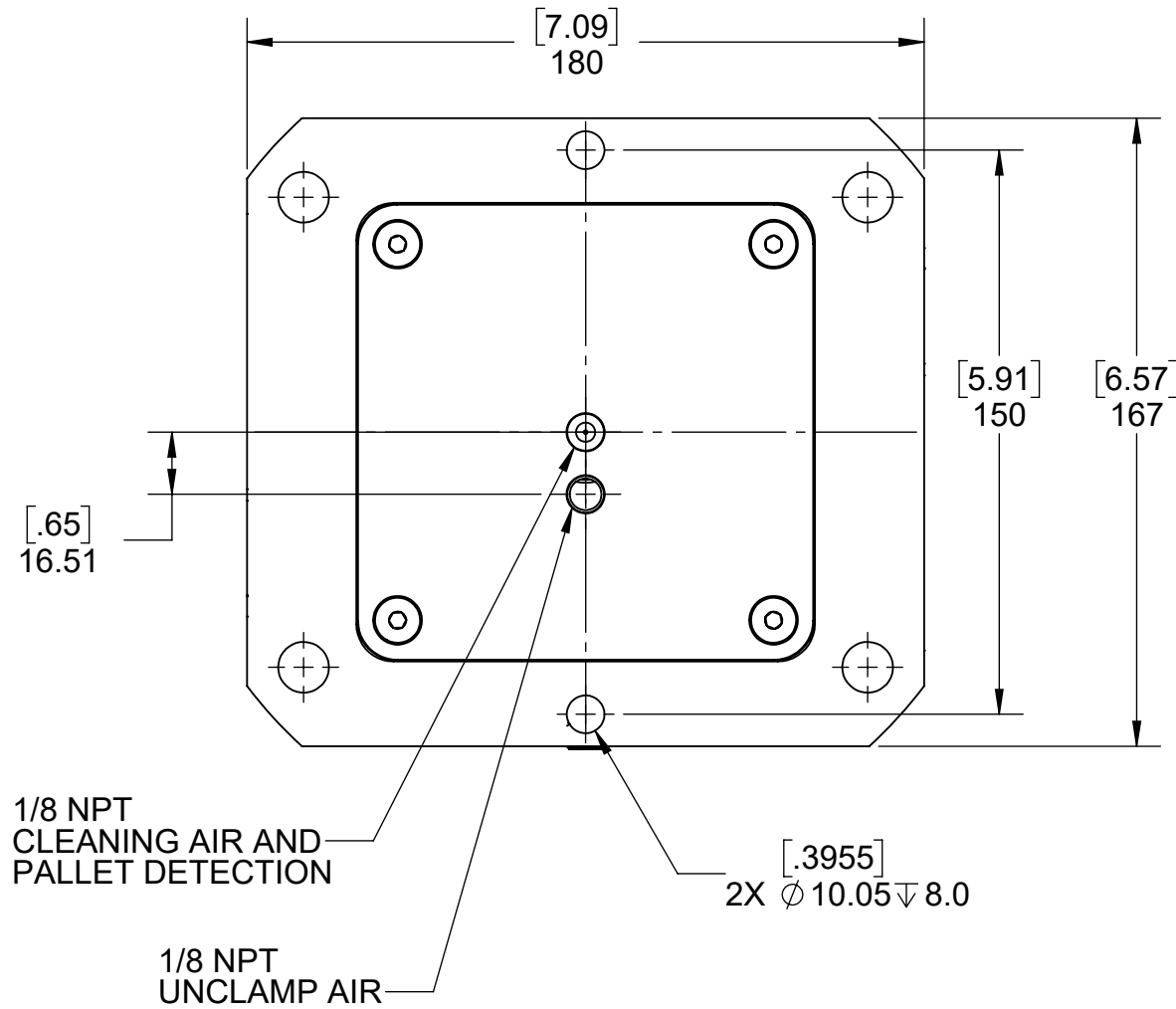



NOTES:
AIR THRU BOTTOM CONFIGURATION
WORKING PRESSURE RANGE:
80 PSI [.55 MPa] MIN
130 PSI [.9 MPa] MAX

RL96P-67A



MILLIMETER			
WWW.5THAXIS.COM			
7140 ENGINEER ROAD SAN DIEGO, CA 92111 P (858) 505-0432		DESCRIPTION 96MM PNEUMATIC CHUCK (BOTTOM-PORT)	
THIRD ANGLE PROJECTION	SIZE B	PART NO. RL96P-67A	REV A
DO NOT SCALE DRAWING		SCALE 1:2	WEIGHT:
		SHEET 1 OF 1	