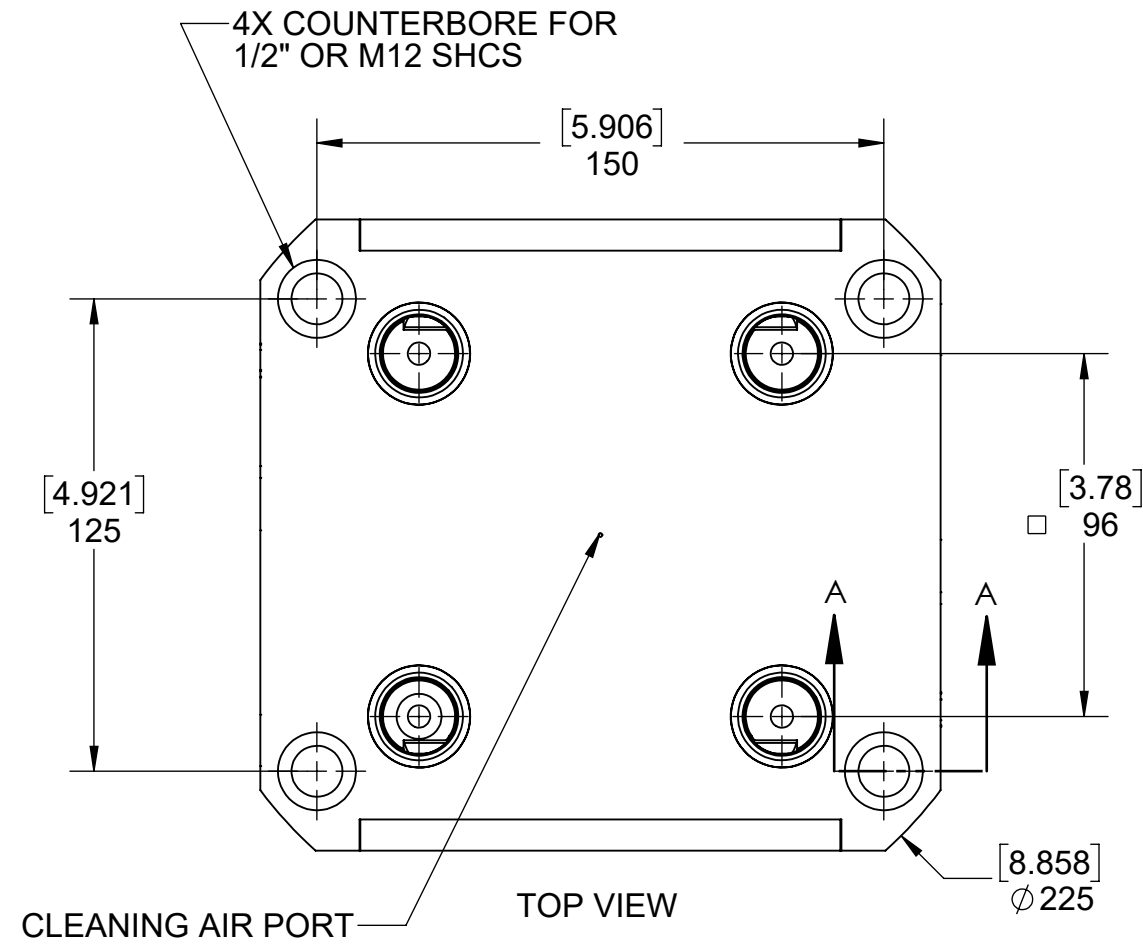
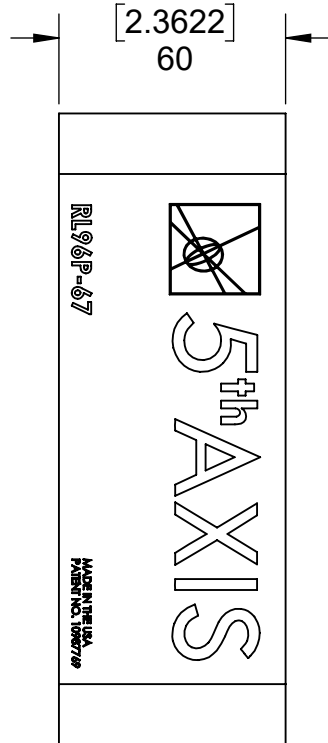
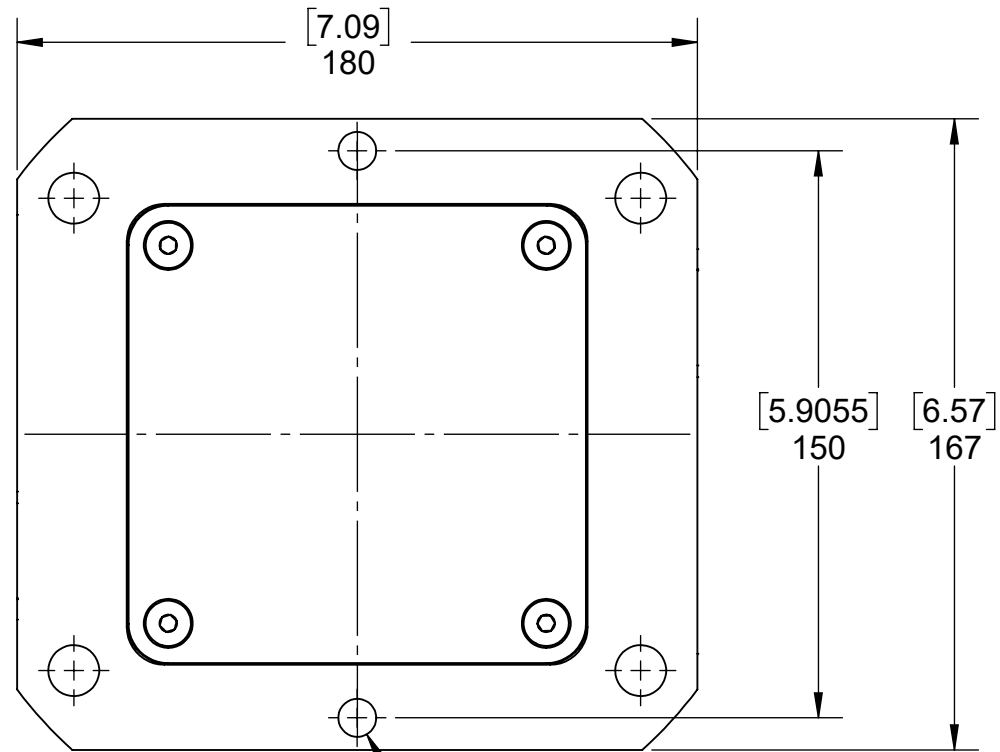
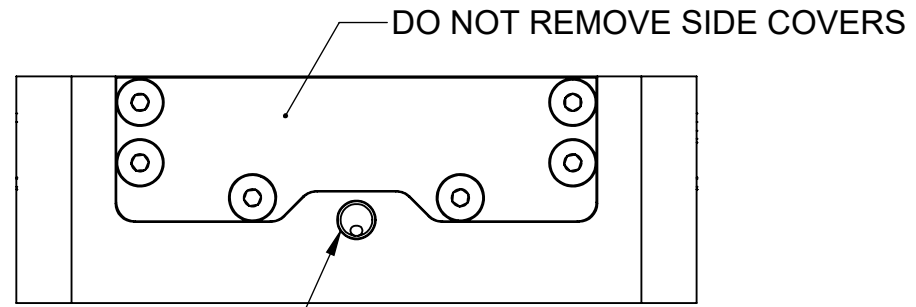
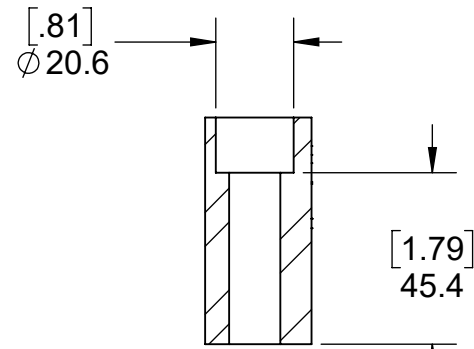


NOTES:
AIR THRU SIDE CONFIGURATION
WORKING PRESSURE RANGE:
80 PSI [.55 MPa] MIN
130 PSI [.9 MPa] MAX

RL96P-67B



[.3955]
 2X ϕ 10.05 ∇ 8.0



1/8 NPT
 UNCLAMP AND CLEANING AIR
 *NO AIR PRESSURE PALLET DETECTION

MILLIMETER			
WWW.5THAXIS.COM 7140 ENGINEER ROAD SAN DIEGO, CA 92111 P (858) 505-0432			
THIRD ANGLE PROJECTION		DESCRIPTION	96MM PNEUMATIC CHUCK (SIDE-PORT)
SIZE	PART NO.	REV	
B	RL96P-67B	A	
DO NOT SCALE DRAWING		SCALE 1:2	WEIGHT:
		SHEET 1 OF 1	