

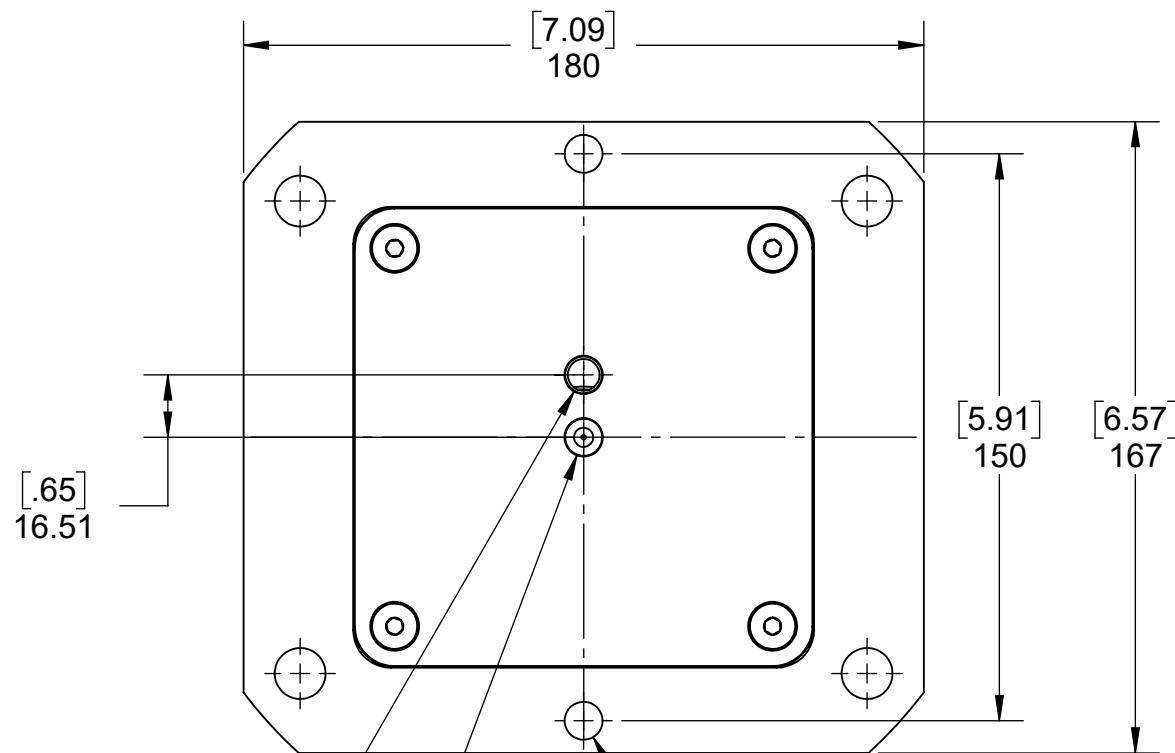
**NOTES:**  
**AIR THRU BOTTOM CONFIGURATION W/EJECTORS**

**WORKING PRESSURE RANGE:**

**80 PSI [.55 MPa] MIN**

**130 PSI [.9 MPa] MAX**

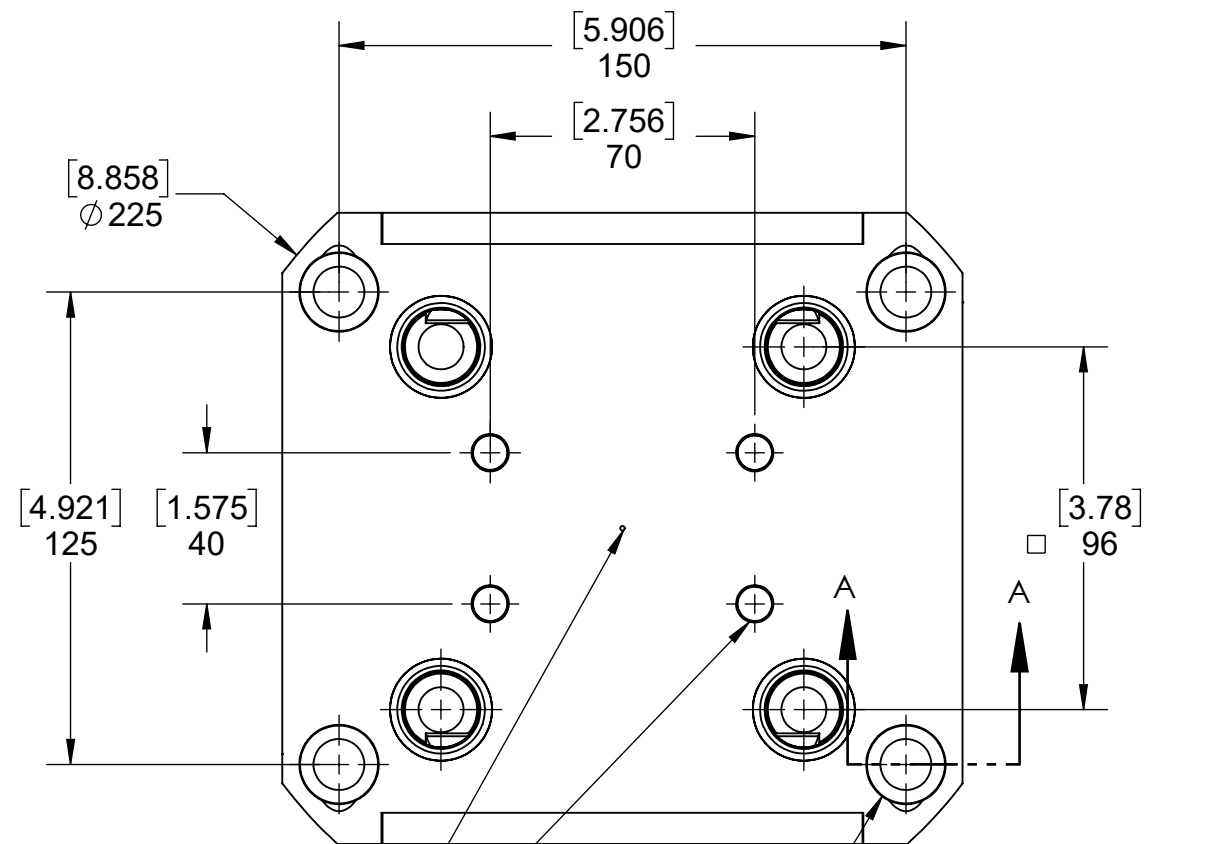
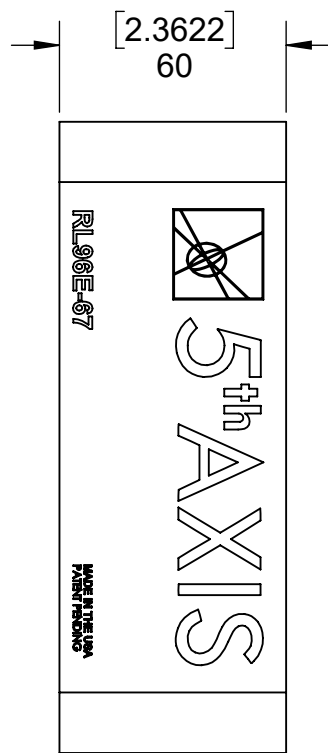
# RL96E-67



1/8 NPT  
UNCLAMP AIR

1/8 NPT  
CLEANING AIR AND  
PALLET DETECTION

2X  $\phi$  10.05  $\nabla$  8.0



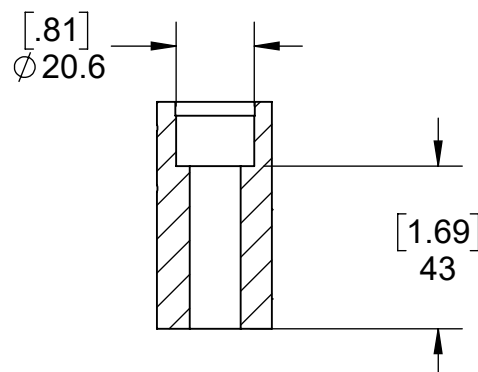
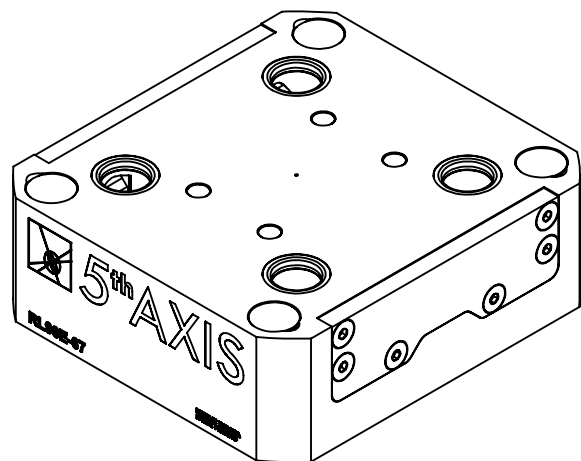
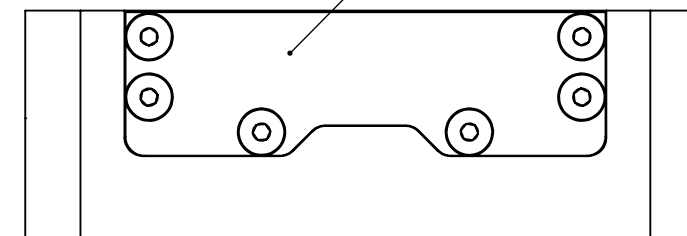
CLEANING AIR PORT

TOP VIEW

4X EJECTORS

4X COUNTERBORE FOR  
1/2" OR M12 SHCS

DO NOT REMOVE SIDE COVERS



SECTION A-A

<b>MILLIMETER</b>			
WWW.5THAXIS.COM 7140 ENGINEER ROAD SAN DIEGO, CA 92111 P (858) 505-0432			
THIRD ANGLE PROJECTION		DESCRIPTION	<b>96MM PNEUMATIC CHUCK WITH EJECTORS</b>
SIZE	PART NO.	REV	
<b>B</b>	<b>RL96E-67</b>	<b>B</b>	
DO NOT SCALE DRAWING		SCALE 1:2	WEIGHT:
		SHEET 1 OF 1	