

8 7 6 5 4 3 2 1

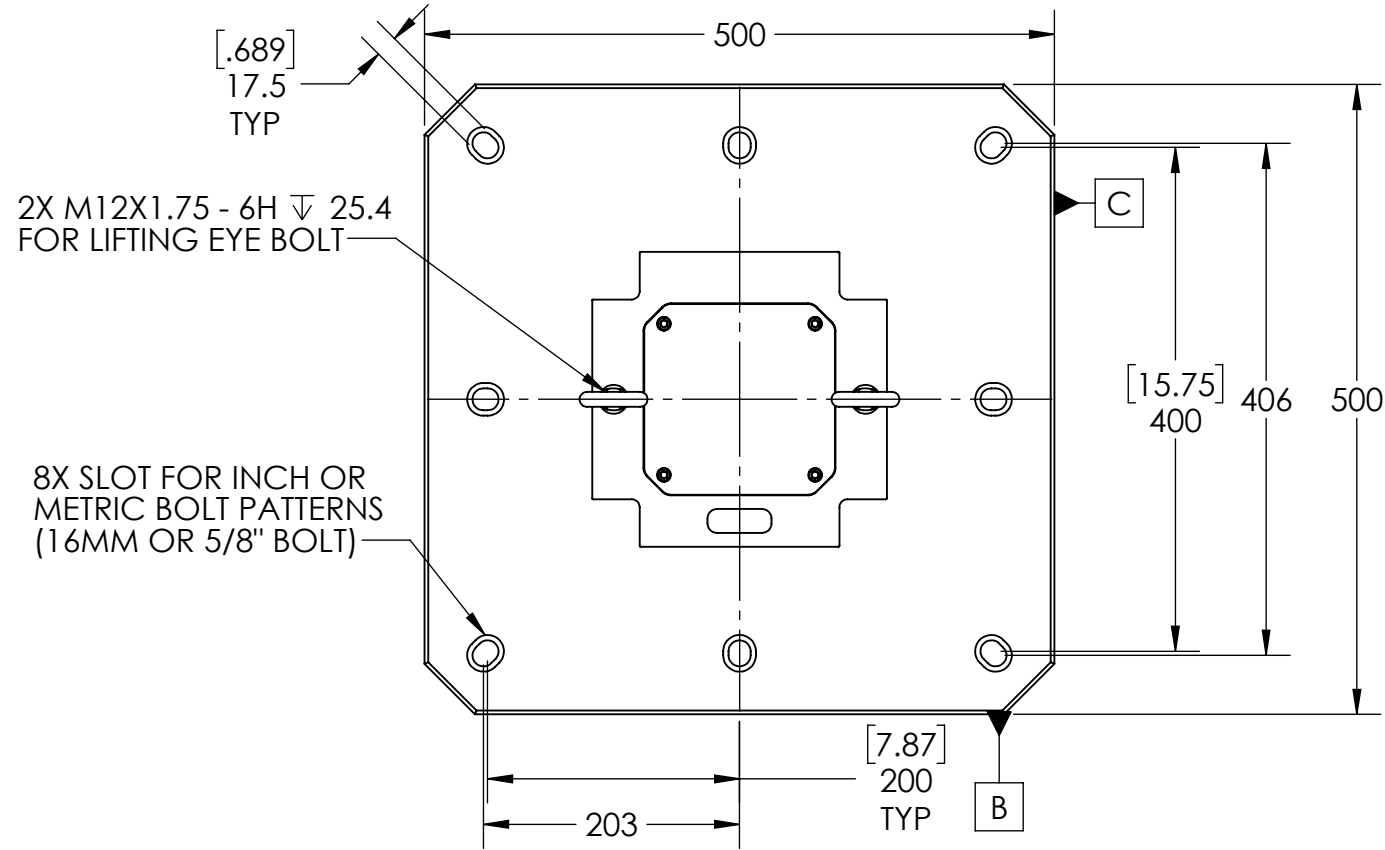
MATERIAL: ALUMINIUM

MTA-5004U-638

D

D

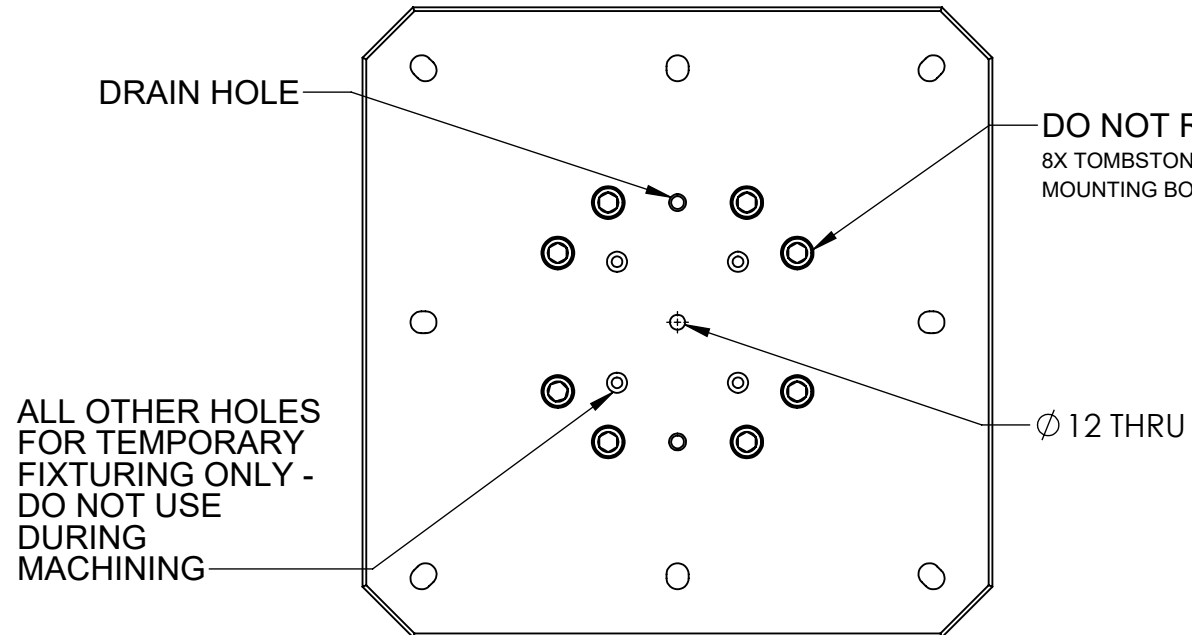
TOP VIEW



C

C

BOTTOM VIEW



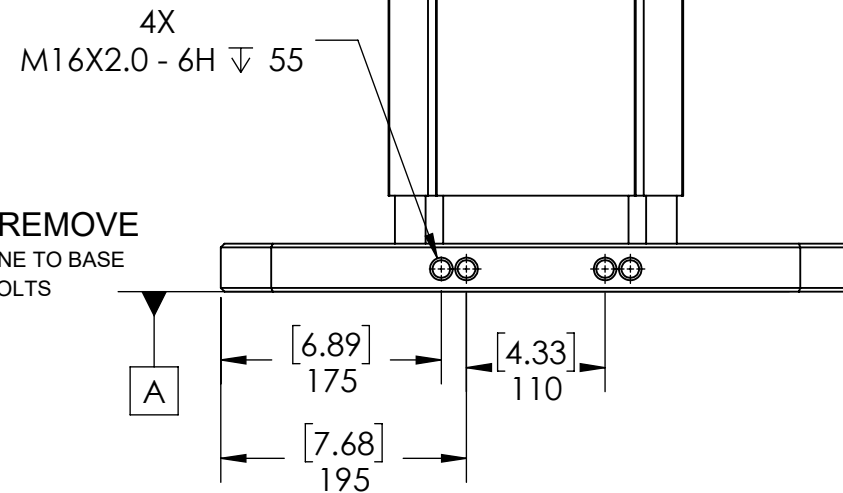
B

B

A

A

FRONT VIEW

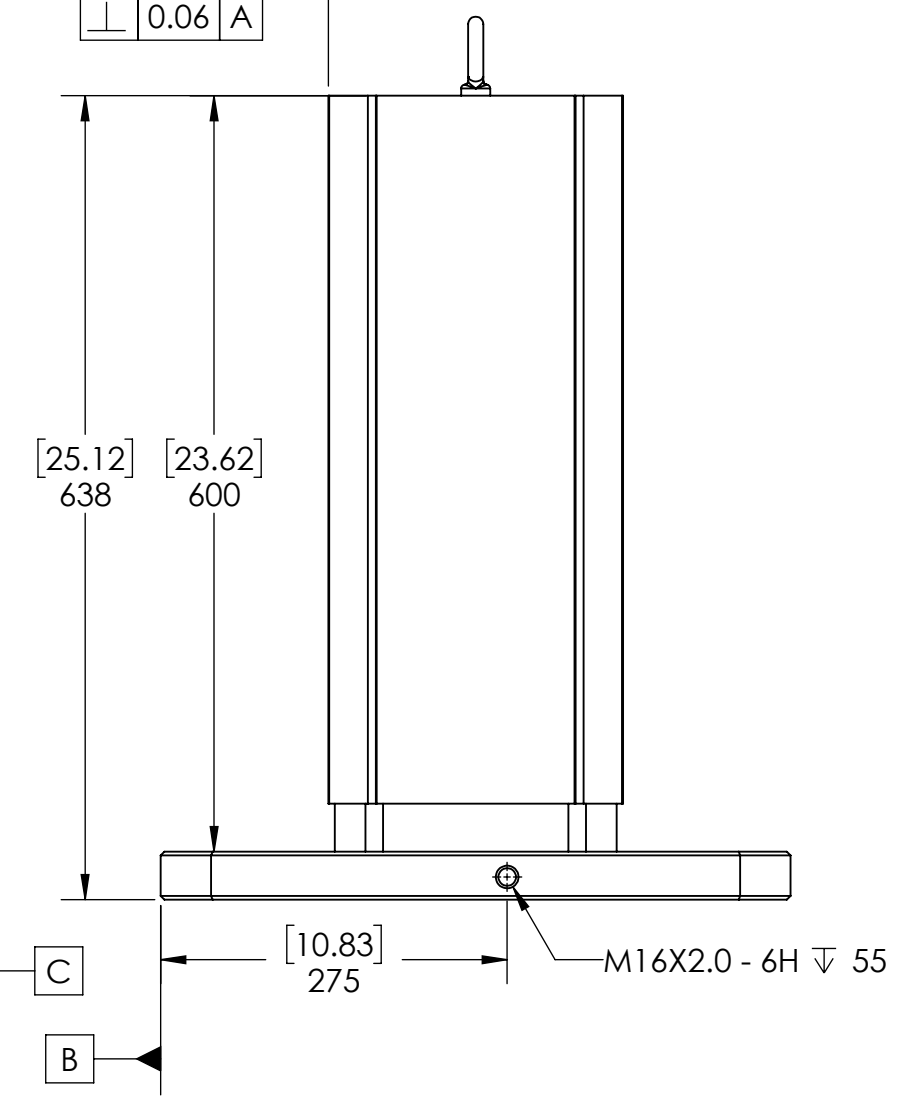


LIFTING EYE BOLT

TYPE EACH FACE

∇	0.2	A	B	C
\perp	0.06	A		

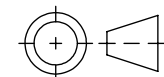
SIDE VIEW



MILLIMETER

WWW.5THAXIS.COM
7140 ENGINEER ROAD
SAN DIEGO, CA 92111
P (858) 505-0432

THIRD ANGLE PROJECTION



DESCRIPTION
MACHINABLE, 400MM TOMBSTONE, ALUMINIUM

SIZE **B** PART NO. **MTA-5004U-638** REV **A**

DO NOT SCALE DRAWING

SCALE 1:6

WEIGHT: 78.99kg

SHEET 1 OF 2

8 7 6 5 4 3 2 1

8

7

6

5

4

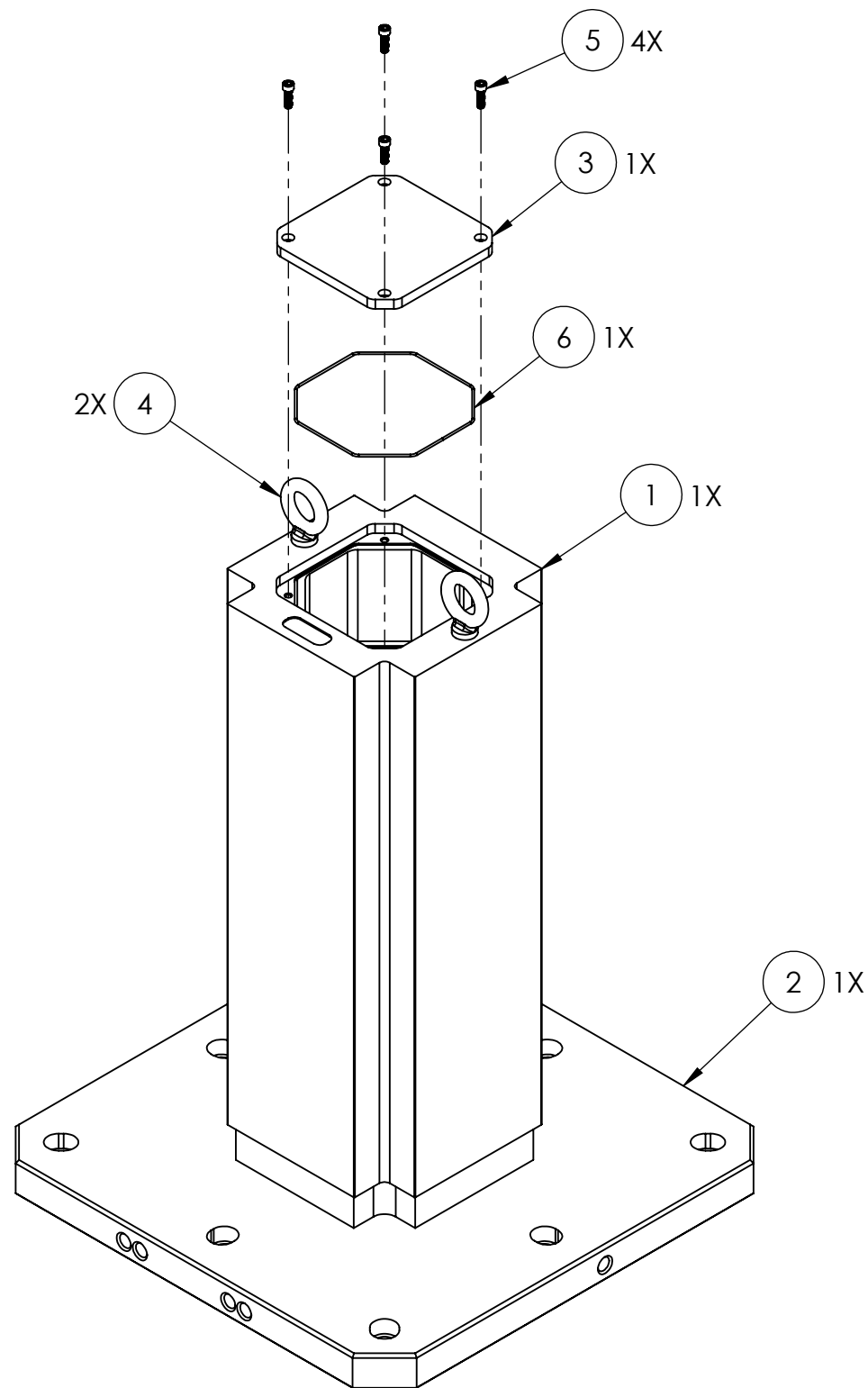
3

2


1

MATERIAL: ALUMINIUM

MTA-5004U-638



ITEM NO.	PART NUMBER	DESCRIPTION	QTY.
1	MT-4600A	4 SIDED ALUMINUM MACHINABLE TOWER 600MM TALL	1
2	RL96-5004BUA	500MM UNIVERSAL BASE FOR 4 SIDED ALUMINUM TOWER	1
3	RL96-14TC	96MM ROCKLOCK, 230MM TOMB CAP, ALUMINIUM	1
4	3040T15	Steel Eyebolt - for Lifting	2
5	HW.76172	SOCKET HEAD CAP SCREW, M6x1x20mm	4
6	-	O-RING, 156mm ID X 2mm THK, BUNA-N, 70A	1

MILLIMETER WWW.5THAXIS.COM 7140 ENGINEER ROAD SAN DIEGO, CA 92111 P (858) 505-0432			
	DESCRIPTION MACHINABLE, 400MM TOMBSTONE, ALUMINIUM		
THIRD ANGLE PROJECTION	SIZE B	PART NO. MTA-5004U-638	REV A
DO NOT SCALE DRAWING		SCALE 1:6	WEIGHT: 78.99kg
			SHEET 2 OF 2

8

7

6

5

4

3

2

1