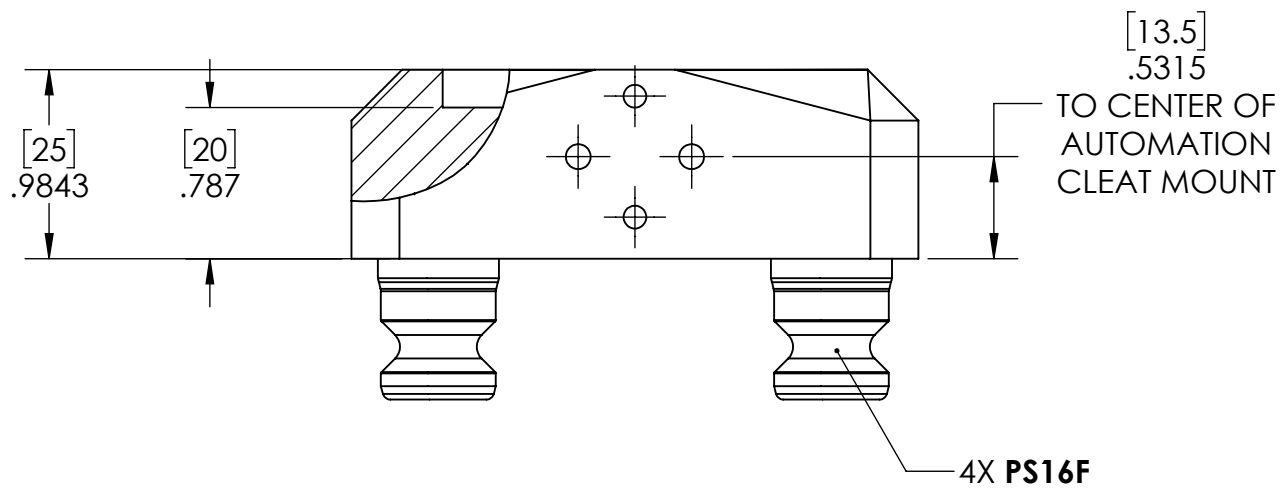
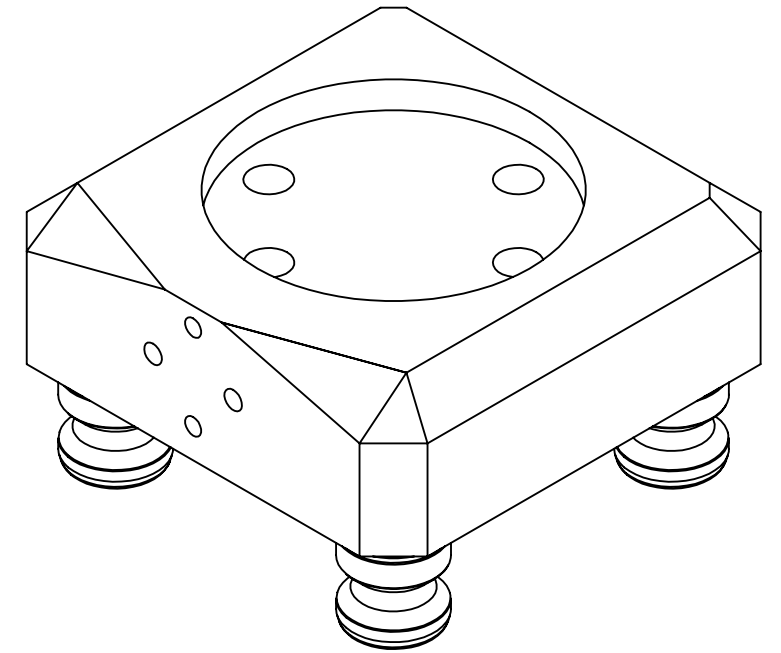
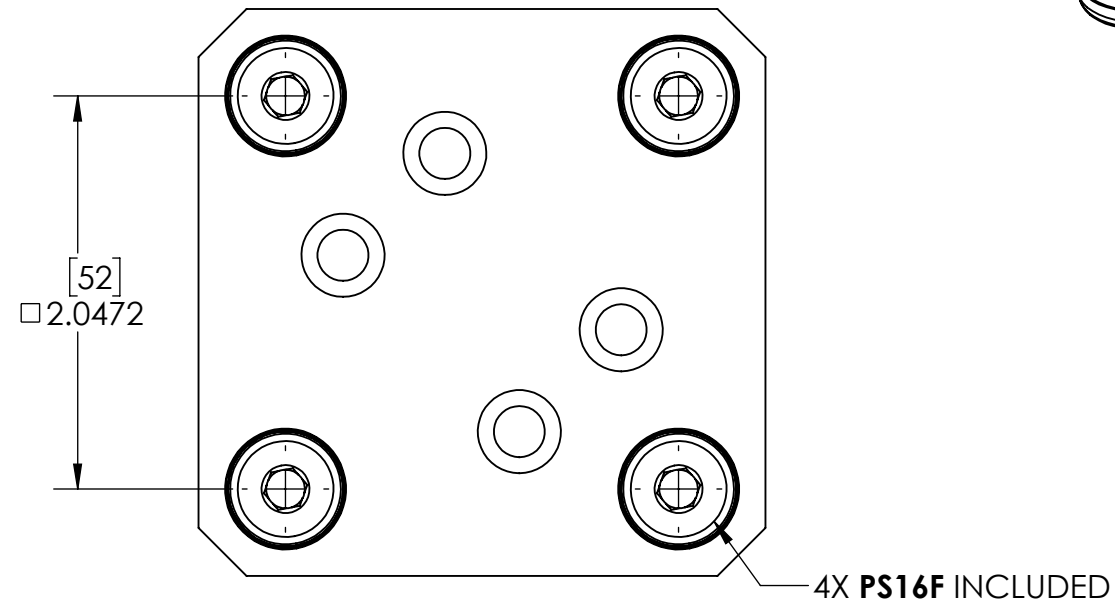
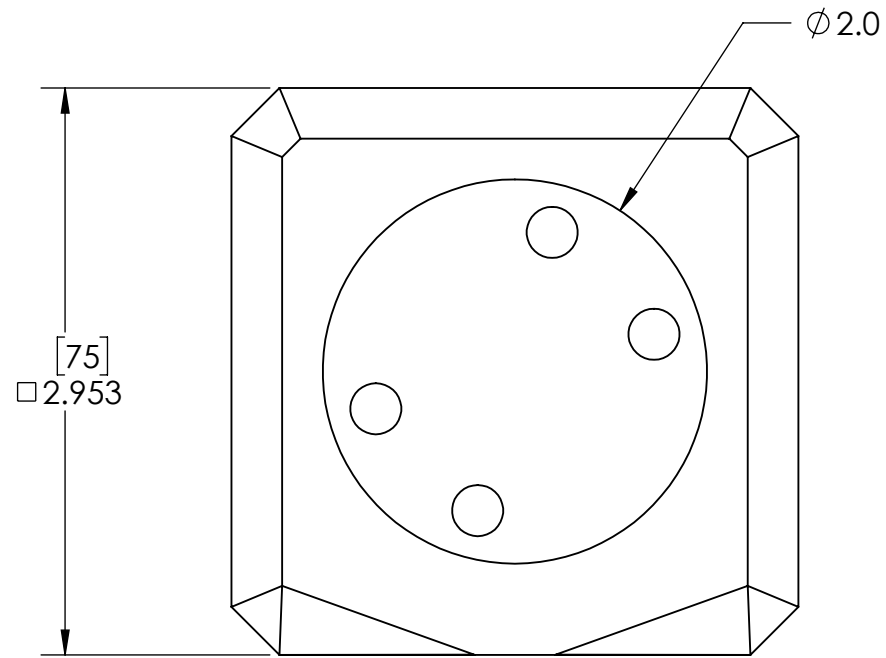

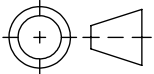


# A52-CERX-1PS



INCH					
WWW.5THAXIS.COM 7140 ENGINEER ROAD SAN DIEGO, CA 92111 P (858) 505-0432					DESCRIPTION
THIRD ANGLE PROJECTION		SIZE	PART NO.	A52-CERX-1PS	
		B			A
DO NOT SCALE DRAWING		SCALE 1:1	WEIGHT:	SHEET 1 OF 2	

8

7

6

5

4

3

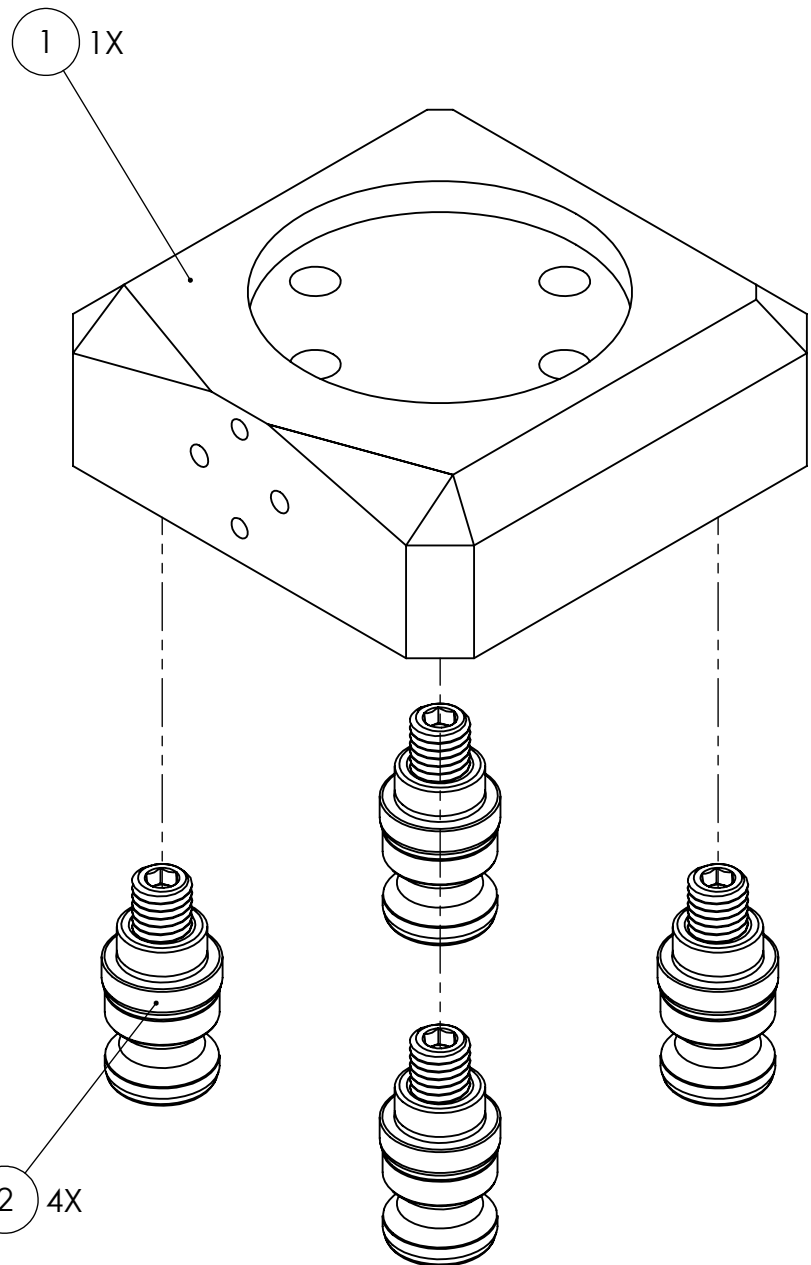
2

1

D

D

# A52-CERX-1PS



C

C


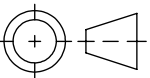
B

B

A

A

ITEM NO.	PART NUMBER	DESCRIPTION	QTY.
1	A52-CERX-1	52MM ROCKLOCK, RISER, ER COLLET	1
2	PS16F	52mm PULL STUD	4

<b>INCH</b>			
WWW.5THAXIS.COM 7140 ENGINEER ROAD SAN DIEGO, CA 92111 P (858) 505-0432			
THIRD ANGLE PROJECTION			
DESCRIPTION	<b>A52-CERX-1 ADAPTER WITH PULL STUDS</b>		
SIZE	PART NO.	REV	
<b>B</b>	<b>A52-CERX-1PS</b>	<b>A</b>	
DO NOT SCALE DRAWING	SCALE 1:1	WEIGHT:	SHEET 2 OF 2

8

7

6

5

4

3

2

1