

8

7

6

5

4

3

2

1

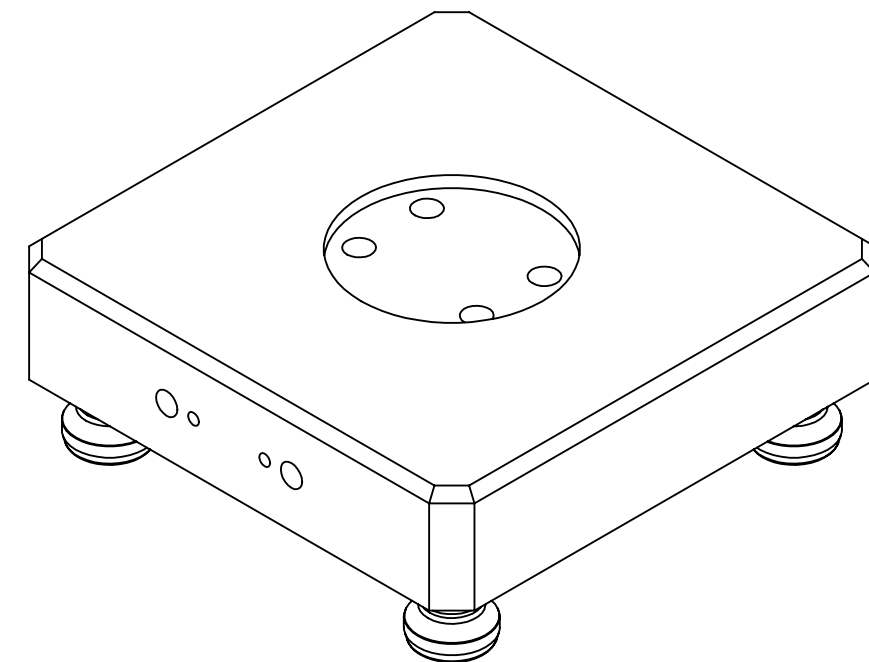
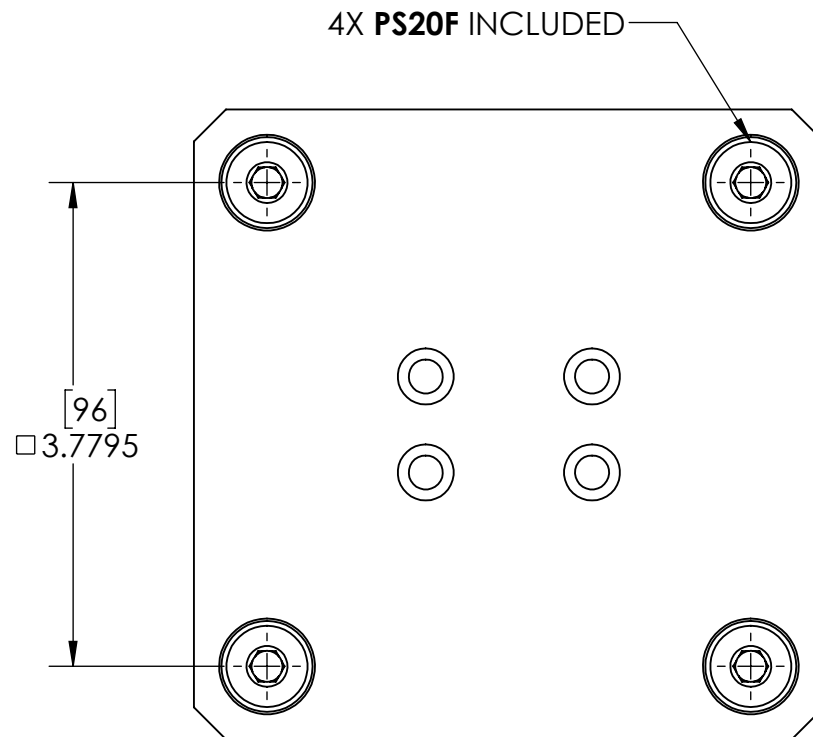
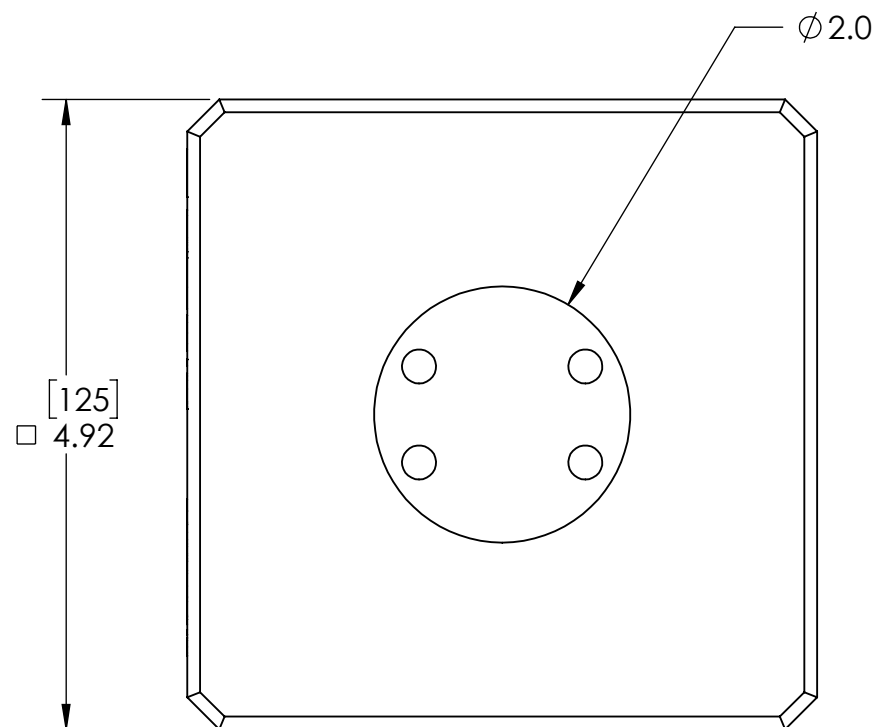
D

D

A96-CERX-1PS

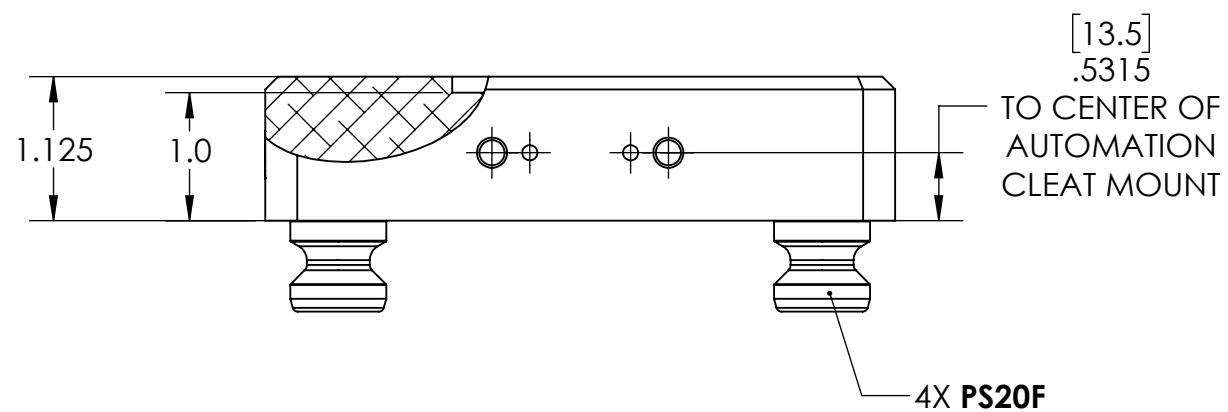
C

C




B

B



A

A

INCH				
WWW.5THAXIS.COM 7140 ENGINEER ROAD SAN DIEGO, CA 92111 P (858) 505-0432				
THIRD ANGLE PROJECTION		DESCRIPTION	A96-CERX-1 ADAPTER WITH PULL STUDS	
SIZE	PART NO.	REV		
B	A96-CERX-1PS	A		
DO NOT SCALE DRAWING		SCALE 2:3	WEIGHT:	SHEET 1 OF 2

8

7

6

5

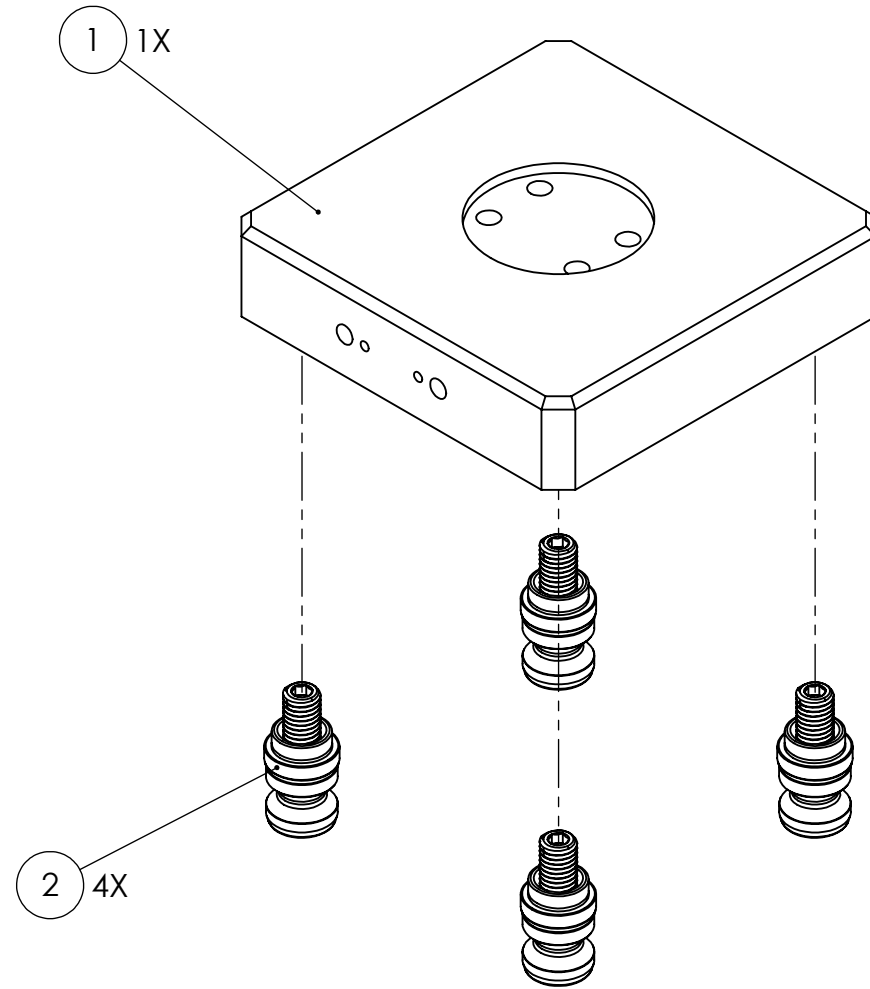
4

3


2

1

A96-CERX-1PS



ITEM NO.	PART NUMBER	DESCRIPTION	QTY.
1	A96-CERX-1	96MM ROCKLOCK, RISER, CER40, CER32	1
2	PS20F	96mm PULL STUD	4

INCH				
WWW.5THAXIS.COM 7140 ENGINEER ROAD SAN DIEGO, CA 92111 P (858) 505-0432				
THIRD ANGLE PROJECTION		DESCRIPTION	A96-CERX-1 ADAPTER WITH PULL STUDS	
SIZE	PART NO.	A96-CERX-1PS		REV
B				A
DO NOT SCALE DRAWING		SCALE 1:2	WEIGHT:	SHEET 2 OF 2