

8

7

6

5

4

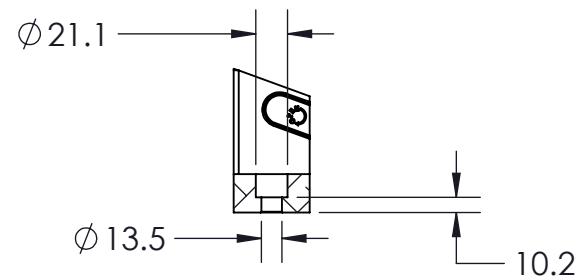
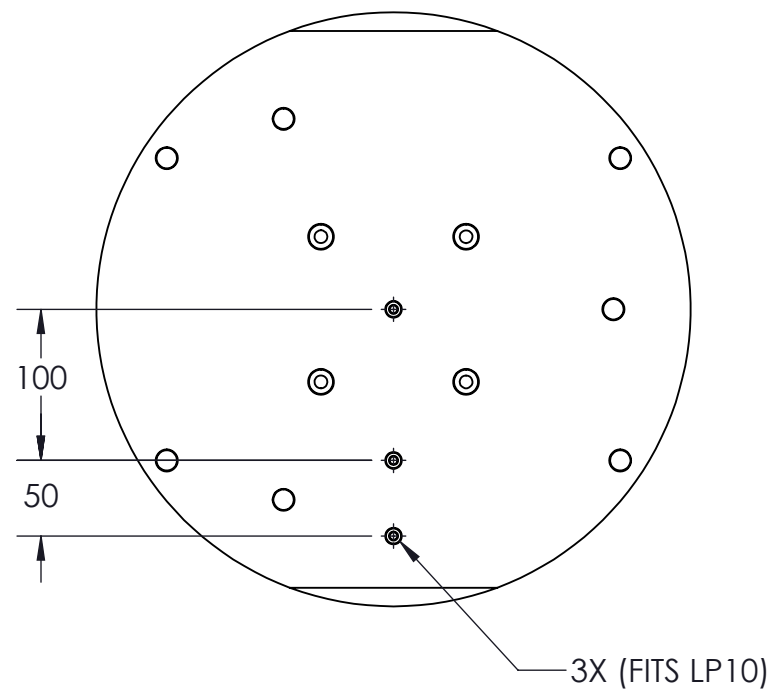
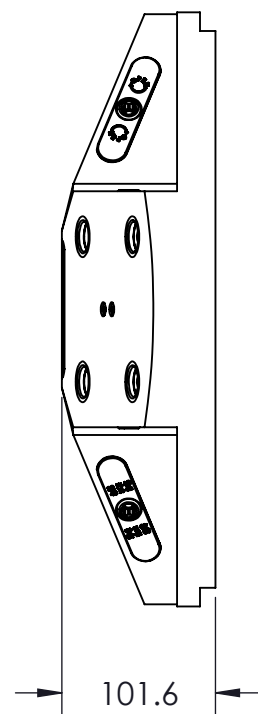
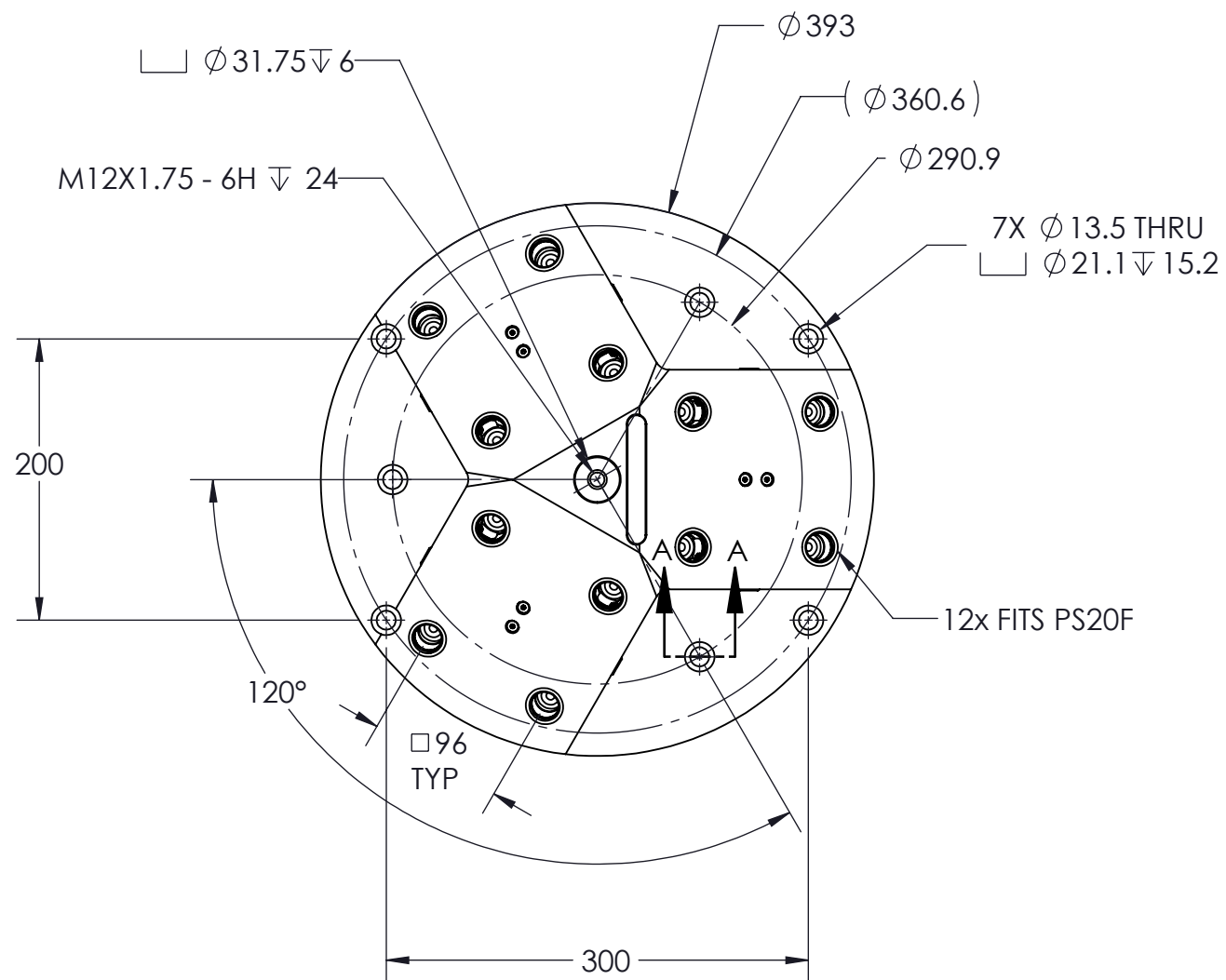
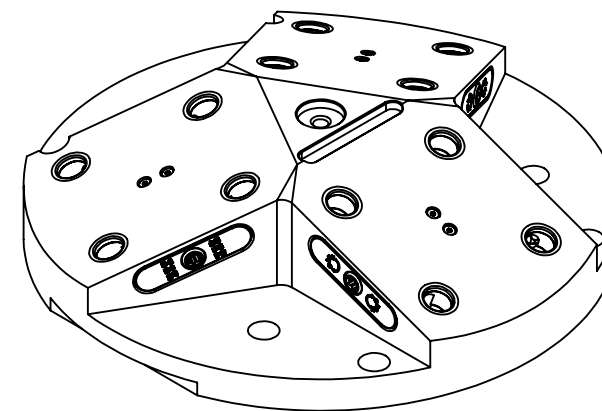
3

2

1

MATERIAL : ALUMINIUM

# RL96A-P320



SECTION A-A

<b>MILLIMETER</b>				
WWW.5THAXIS.COM 7140 ENGINEER ROAD SAN DIEGO, CA 92111 P (858) 505-0432				
THIRD ANGLE PROJECTION		DESCRIPTION	<b>ROCKLOCK™ 96MM MULTI-POSITION RISER</b>	
SIZE	PART NO.	REV		
<b>B</b>	<b>RL96A-P320</b>	<b>A</b>		
DO NOT SCALE DRAWING		SCALE 1:5	WEIGHT:	SHEET 1 OF 2

8

7

6

5

4

3

2

1

8

7

6

5

4

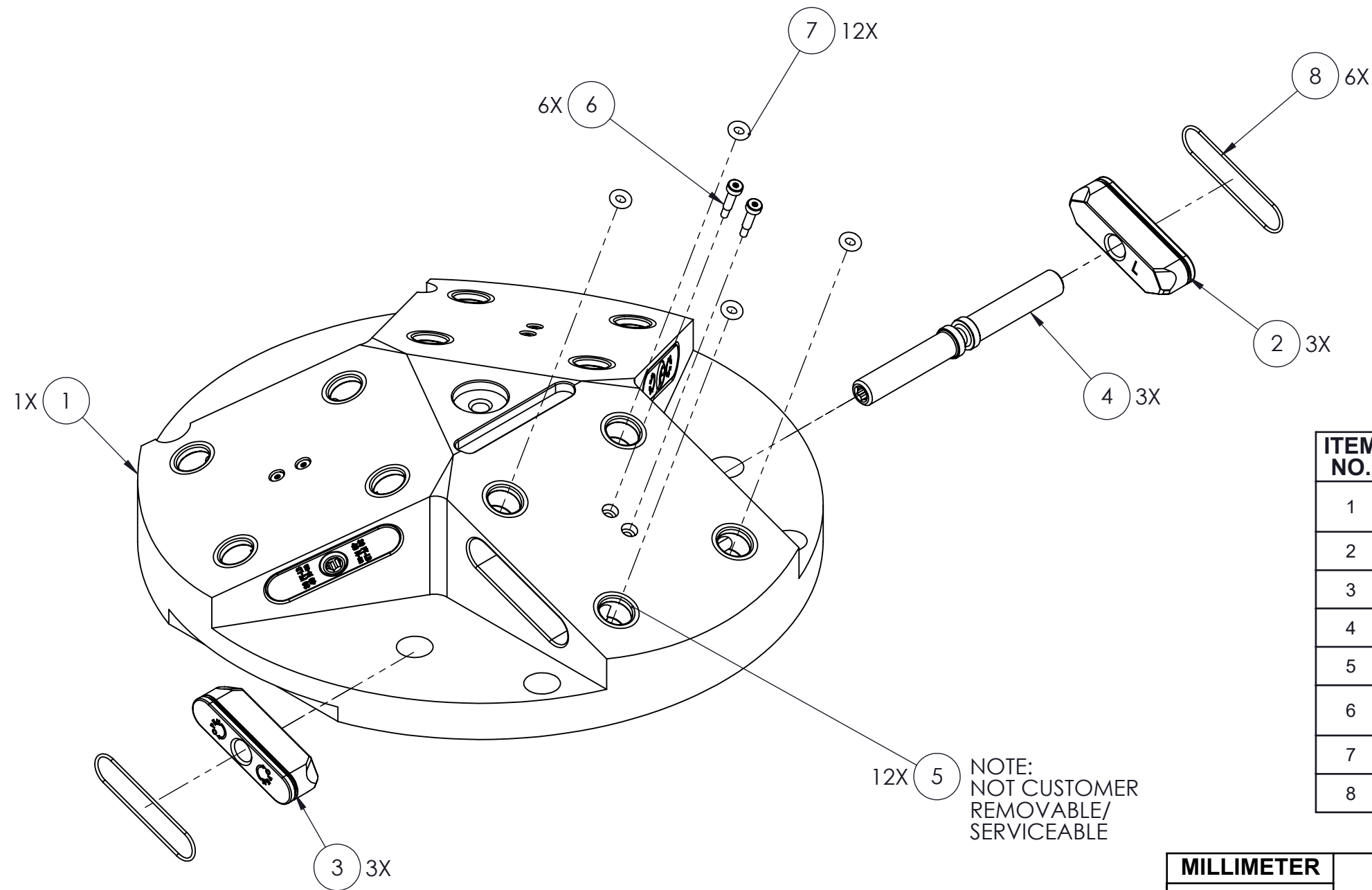
3

2

1

MATERIAL : ALUMINIUM

# RL96A-P320



12X (5) NOTE:  
NOT CUSTOMER  
REMOVABLE/  
SERVICEABLE

ITEM NO.	PART NUMBER	DESCRIPTION	QTY.
1	RL96-1P320A	PYRAMID, 3X VISE, UNIVERSAL BLANK	1
2	RL96-2L	96MM ROCKLOCK, LOCK, LEFT	3
3	RL96-2R	96MM ROCKLOCK, LOCK, RIGHT	3
4	RL96-3	96MM ROCKLOCK, LEAD SCREW	3
5	HW27X20.DB	96MM ROCKLOCK BUSHING	12
6	SB54	SHOULDER BOLT, M4-0.7, 75mm, SELF CENTERING VISE	6
7	-	BUNA-N O-RING, 1/8 - #202	12
8	-	BUNA-N O-RING, 1/16 - #033	6

<b>MILLIMETER</b>			
WWW.5THAXIS.COM			
7140 ENGINEER ROAD SAN DIEGO, CA 92111 P (858) 505-0432		DESCRIPTION <b>ROCKLOCK™ 96MM MULTI-POSITION RISER</b>	
THIRD ANGLE PROJECTION 	SIZE <b>B</b>	PART NO. <b>RL96A-P320</b>	REV <b>A</b>
DO NOT SCALE DRAWING		SCALE 1:3	WEIGHT:
		SHEET 2 OF 2	

8

7

6

5

4

3

2

1