

8

7

6

5

4

3

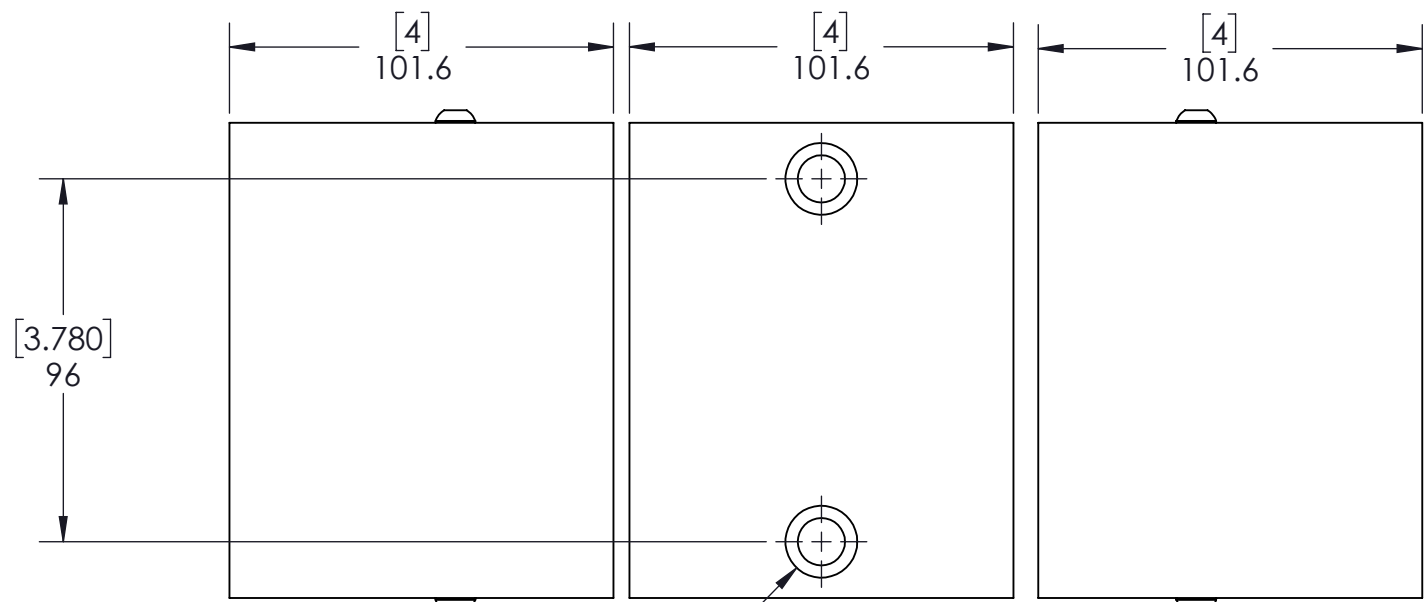
2

1

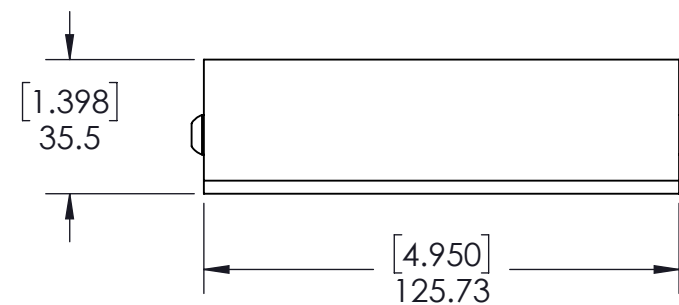
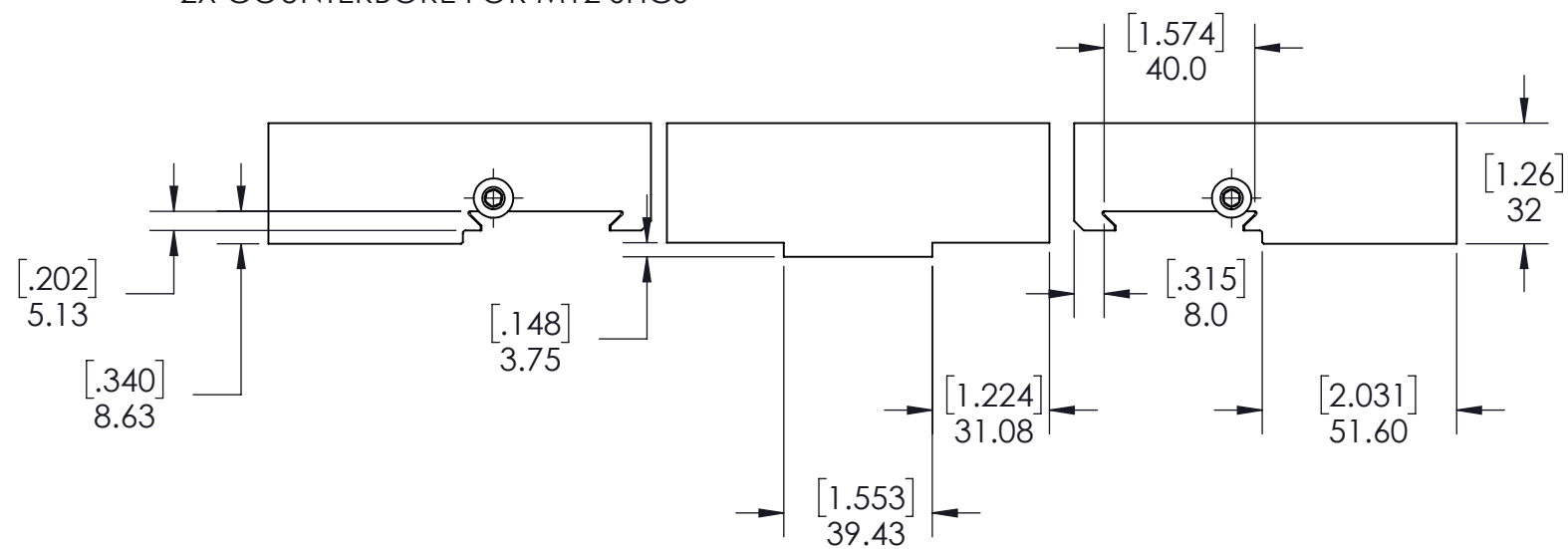
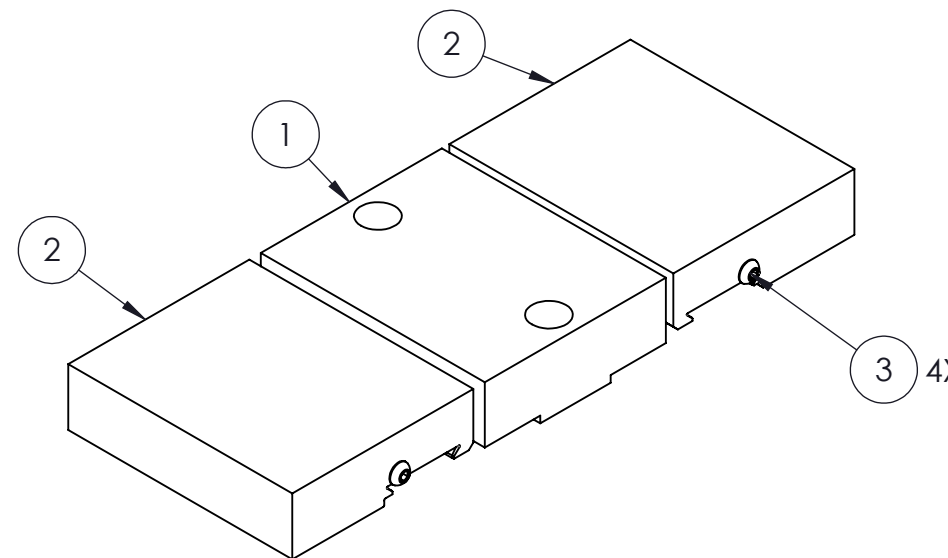
**NOTES:**

**TORQUE M6 BHCS TO 7.5 Nm (65 in-lb) MAX**

# VA513-MJ-A



2X COUNTERBORE FOR M12 SHCS



ITEM NO.	PART NUMBER	DESCRIPTION	QTY.
1	VAJ-VA513-F	VA513 FIXED MACHINABLE JAW, ALUMINUM	1
2	VAJ-VA513-M	VA513 MOVABLE MACHINABLE JAW, ALUMINUM	2
3	M6X8MM.BHCS	BUTTON HEAD CAP SCREW, M6X1X8MM, BLK OX	4

<b>MILLIMETER</b>			
WWW.5THAXIS.COM			
7140 ENGINEER ROAD SAN DIEGO, CA 92111 P (858) 505-0432		DESCRIPTION <b>VA513 MACHINABLE JAW SET, ALUMINUM</b>	
THIRD ANGLE PROJECTION	SIZE <b>B</b>	PART NO. <b>VA513-MJ-A</b>	REV <b>B</b>
DO NOT SCALE DRAWING		SCALE 1:2	WEIGHT:
		SHEET 1 OF 1	

8

7

6

5

4

3

2

1