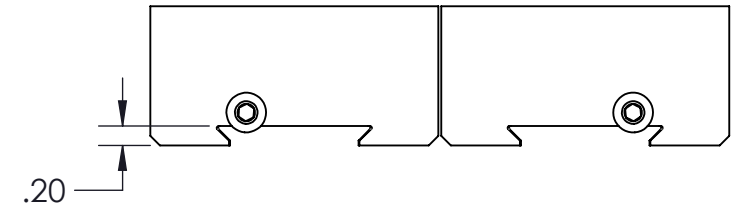
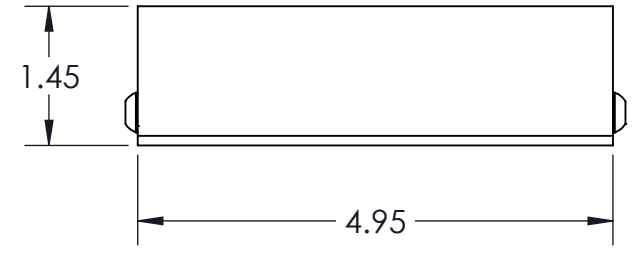
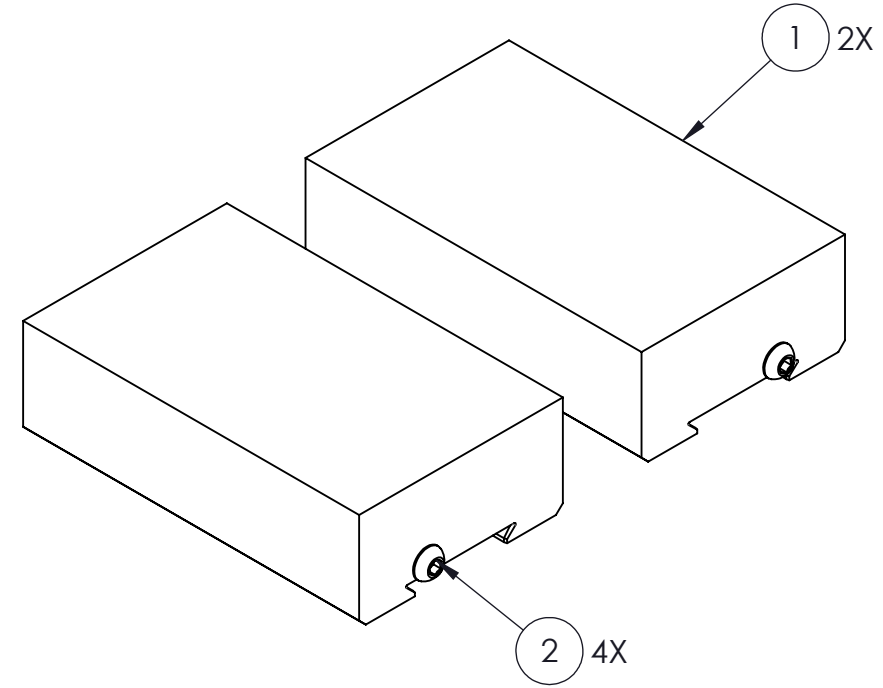
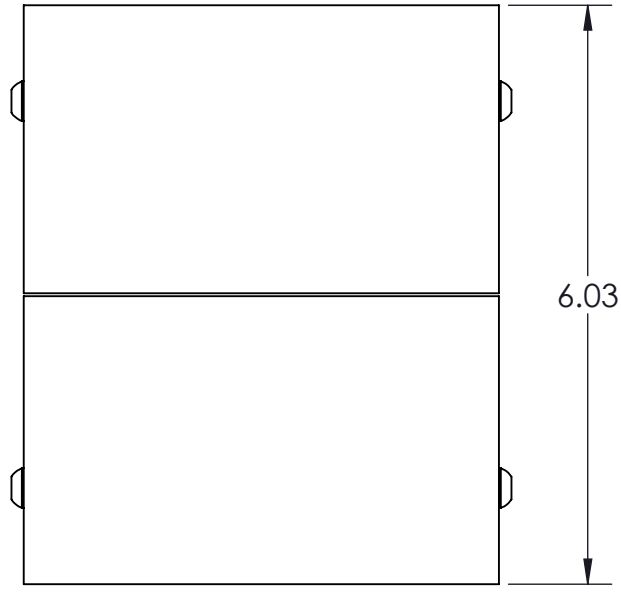

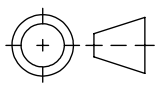


VAJ-VA5



ITEM NO.	PART NUMBER	DESCRIPTION	QTY.
1	VAJ-VA56-1	AUTOMATION VISE JAW ALUMINUM	2
2	M6X8MM.BHCS	BUTTON HEAD CAP SCREW, M6X1X8MM, BLK OX	4

MILLIMETER			
WWW.5THAXIS.COM 7140 ENGINEER ROAD SAN DIEGO, CA 92111 P (858) 505-0432			
THIRD ANGLE PROJECTION		DESCRIPTION	
		VA56 ALUMINUM SOFT JAW SET	
SIZE	PART NO.	REV	
B	VAJ-VA5	B	
DO NOT SCALE DRAWING		SCALE 1:2	WEIGHT: 0.67 kg
		SHEET 1 OF 1	