

8

7

6

5

4

3

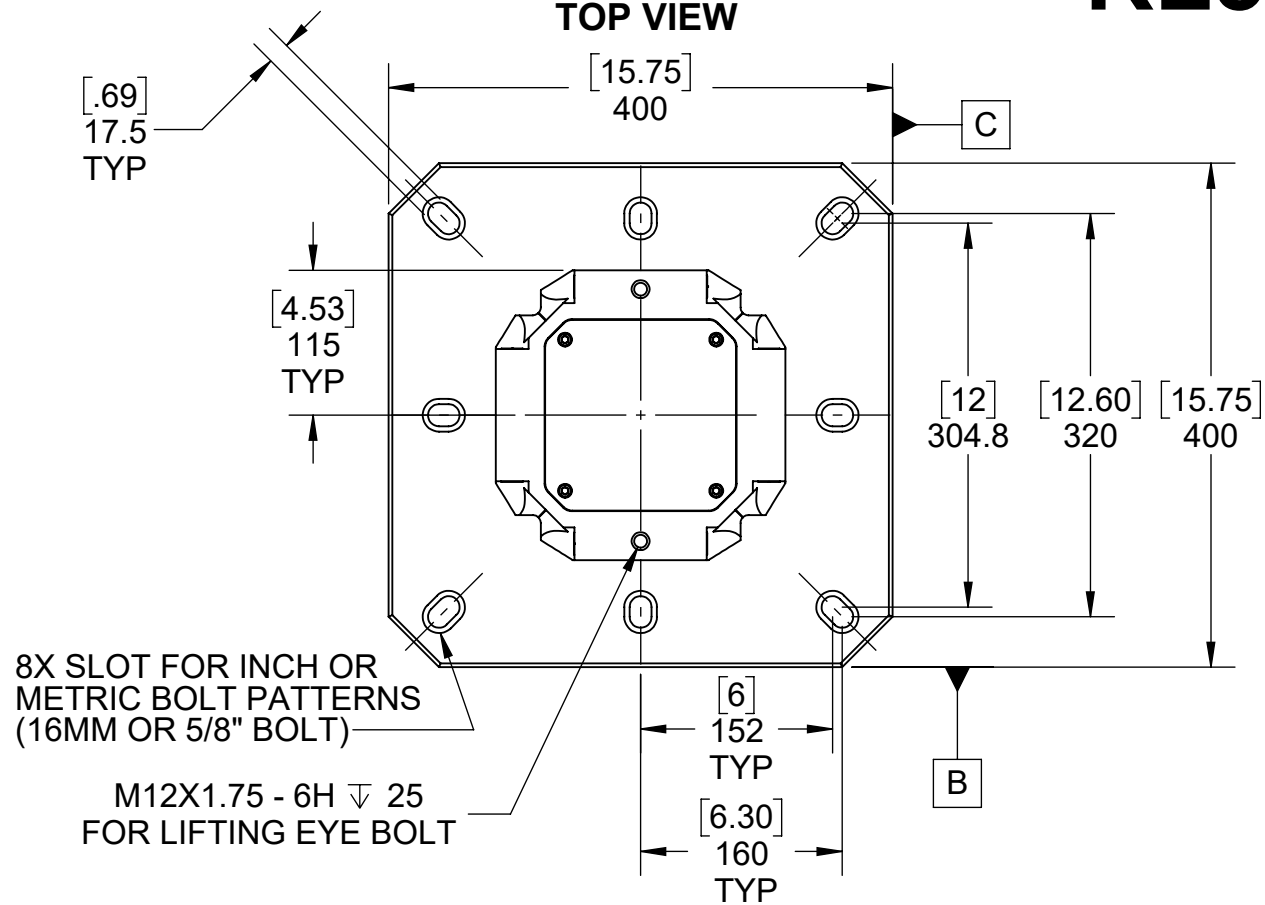
2

1

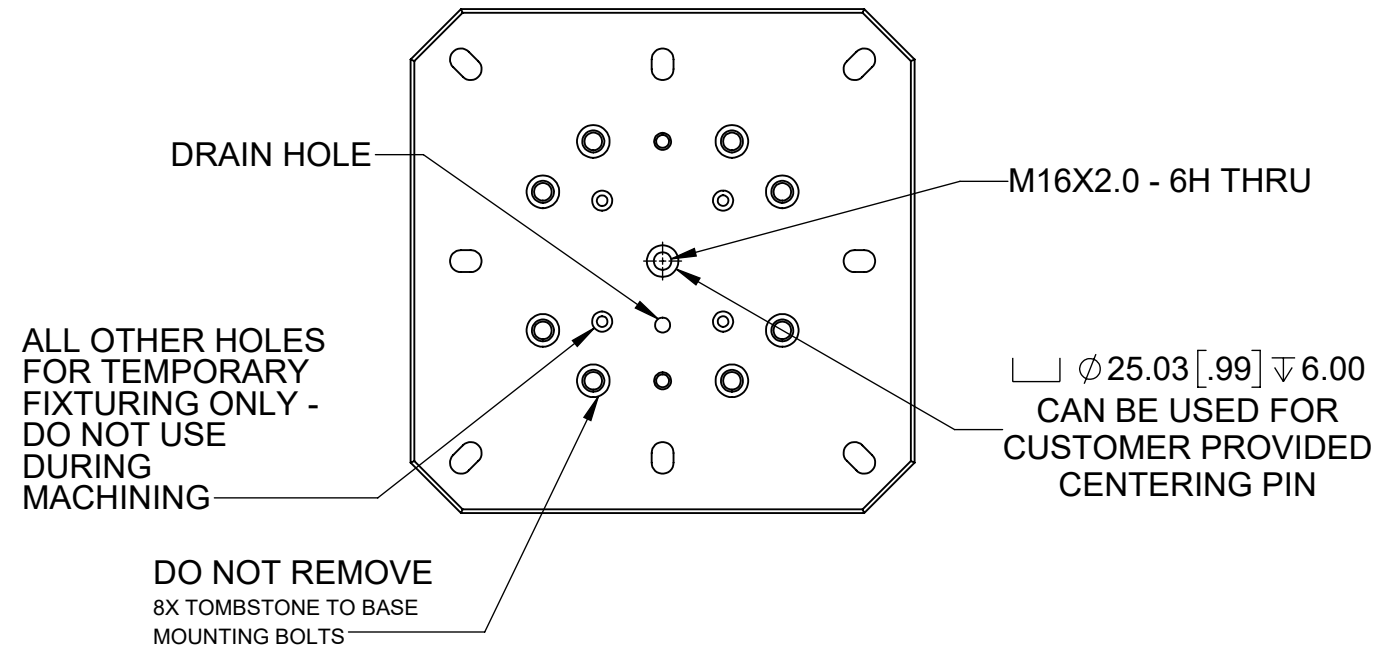
**MATERIAL :**  
**BASE - A36 STEEL**  
**TOWER - CAST IRON**

# RL52S-4004U-638

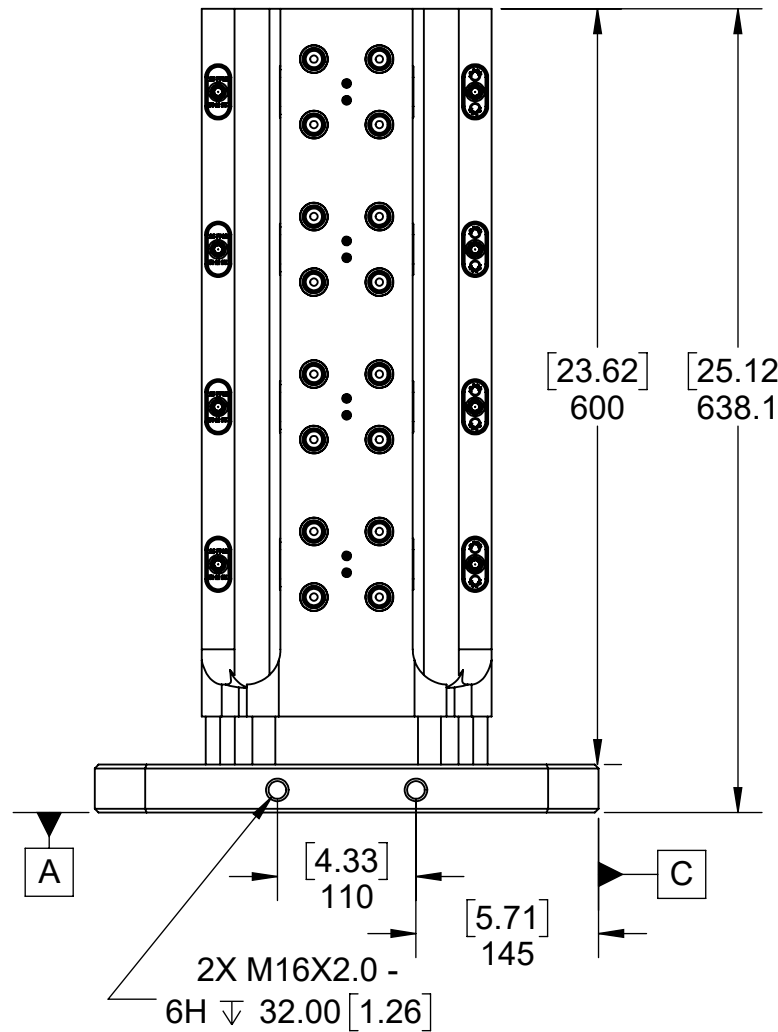
**TOP VIEW**



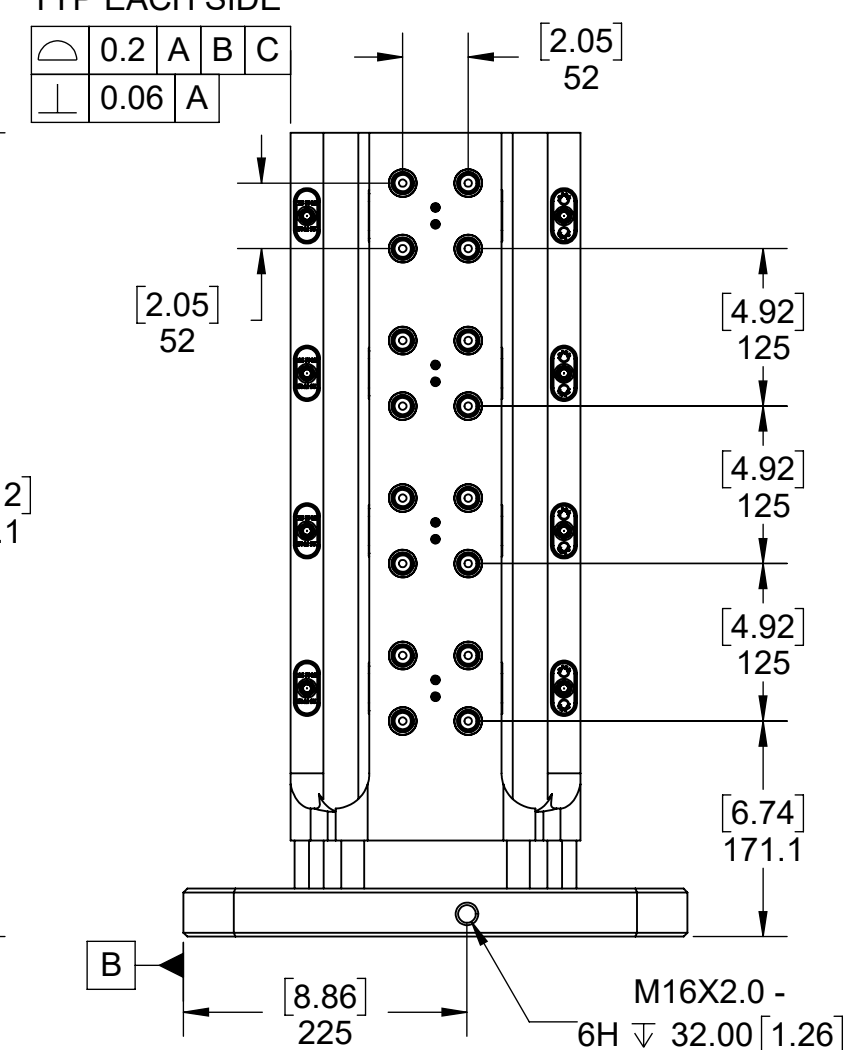
**BOTTOM VIEW**



**FRONT VIEW**



**SIDE VIEW**



TYP EACH SIDE

	0.2	A	B	C
	0.06	A		

<b>MILLIMETER</b>			
WWW.5THAXIS.COM			
7140 ENGINEER ROAD SAN DIEGO, CA 92111 P (858) 505-0432		DESCRIPTION <b>52MM ROCKLOCK, 400MM TOMBSTONE, 638MM TALL, 4 SIDED, CAST IRON</b>	
THIRD ANGLE PROJECTION	SIZE <b>B</b>	PART NO. <b>RL52S-4004U-638</b>	REV <b>B</b>
DO NOT SCALE DRAWING		SCALE 1:6	WEIGHT:
			SHEET 1 OF 2

8

7

6

5

4

3

2

1

8

7

6

5

4

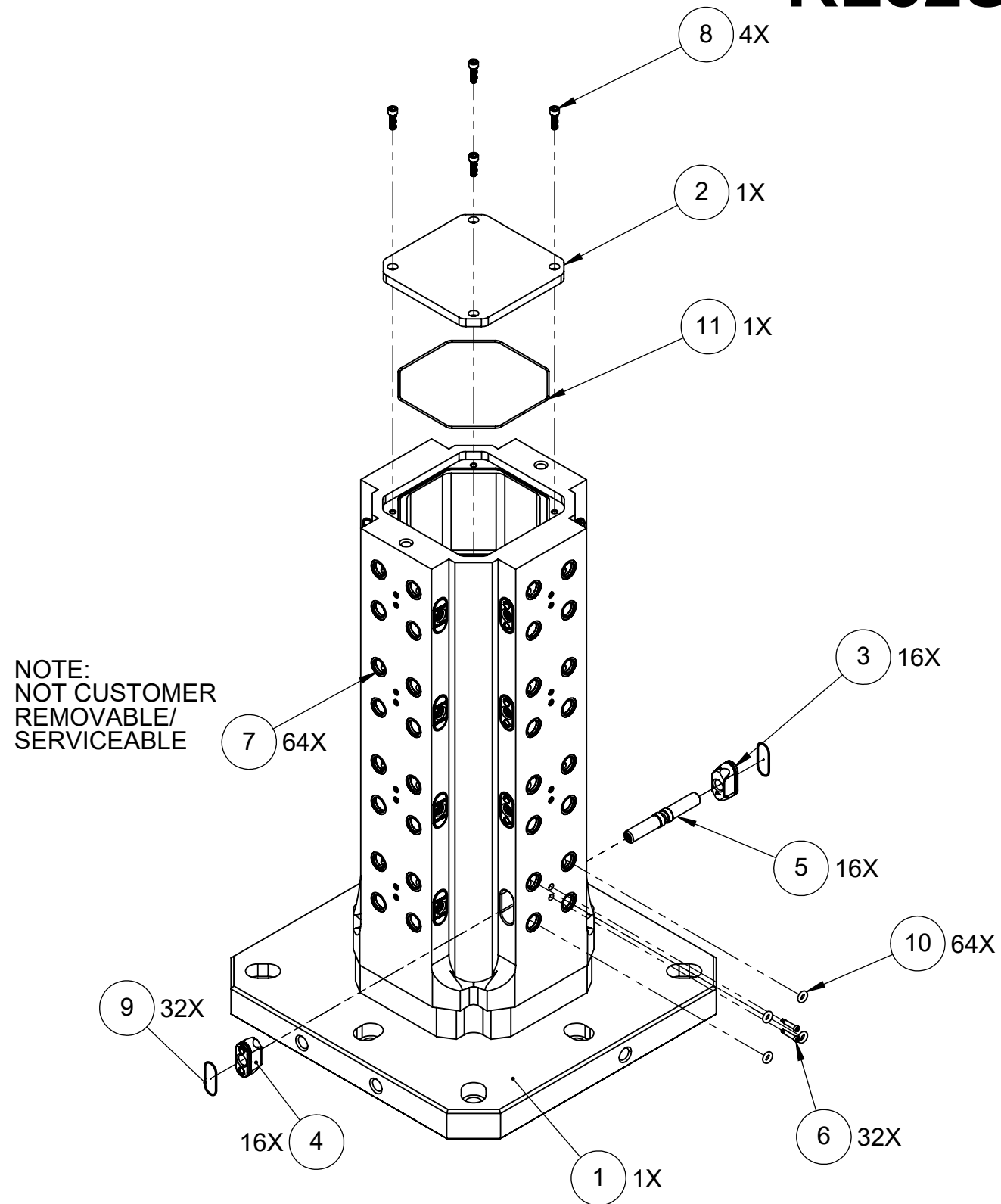
3

2

1

**MATERIAL :**  
**BASE - A36 STEEL**  
**TOWER - CAST IRON**

# RL52S-4004U-638



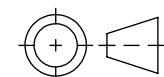
ITEM NO.	PART NUMBER	DESCRIPTION	QTY.
1	RL52-4004-600S	52MM ROCKLOCK, 400MM BASE, 600MM 4-SIDE TOWER, STEEL	1
2	RL96-14TC	96MM ROCKLOCK, 230MM TOMB CAP, ALUMINUM	1
3	RL52-2L	52MM ROCKLOCK, LOCK, LEFT	16
4	RL52-2R	52MM ROCKLOCK, LOCK, RIGHT	16
5	RL52-3	52MM ROCKLOCK, LEAD SCREW	16
6	SB43	SHOULDER BOLT 4MM DIAM 16MM LENGTH M3X0.5	32
7	HW22X16.DB	ROCKLOCK LOCATING BUSHING, 22MM X 16MM	64
8	-	SOCKET HEAD CAP SCREW, M6x1x20mm	4
9	-	BUNA-N O-RING, 1/16 - #023	32
10	-	BUNA-N O-RING, 1/8 - #202	64
11	-	O-RING, 156mm ID X 2mm THK, BUNA-N, 70A	1

**MILLIMETER**

WWW.5THAXIS.COM

7140 ENGINEER ROAD  
 SAN DIEGO, CA 92111  
 P (858) 505-0432

THIRD ANGLE PROJECTION



**5<sup>th</sup> AXIS**

DESCRIPTION

**52MM ROCKLOCK, 400MM TOMBSTONE, 638MM TALL, 4 SIDED, CAST IRON**

SIZE

**B**

PART NO.

**RL52S-4004U-638**

REV

**B**

DO NOT SCALE DRAWING

SCALE 1:6

WEIGHT:

SHEET 2 OF 2

8

7

6

5

4

3

2

1