

8

7

6

5

4

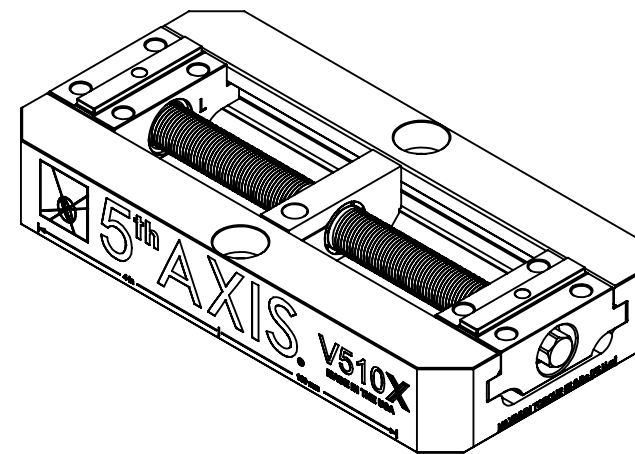
3

2

1

| TECHNICAL DATA | V510X |
|--------------------------------|---------------|
| JAW WIDTH | - |
| BASE LENGTH | 254mm |
| MAXIMUM TORQUE (JAW BOLT) | 27 Nm |
| CLAMPING FORCE | 25 kN @ 75 Nm |
| MAXIMUM TORQUE (LEADSCREW) | 75 Nm |
| MAXIMUM TORQUE (MOUNTING BOLT) | 47 Nm |
| SELF-CENTERING ACCURACY | ± 12.7 µm |

V510X-NJ



D

D

C

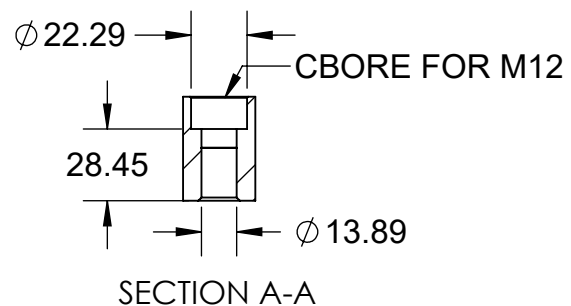
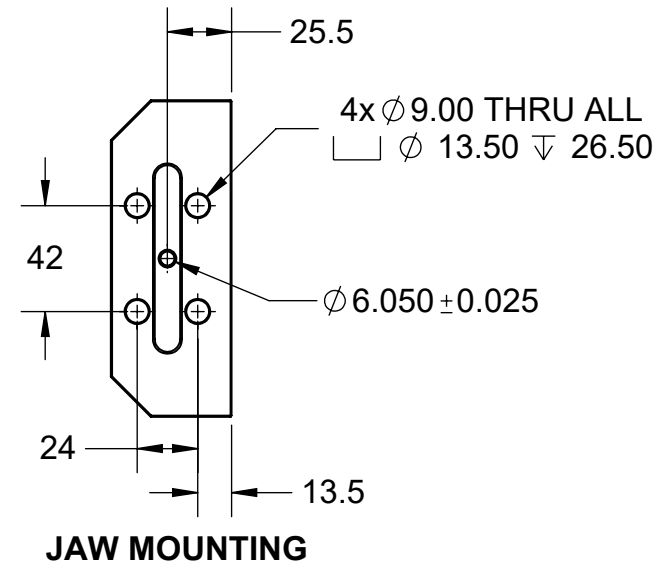
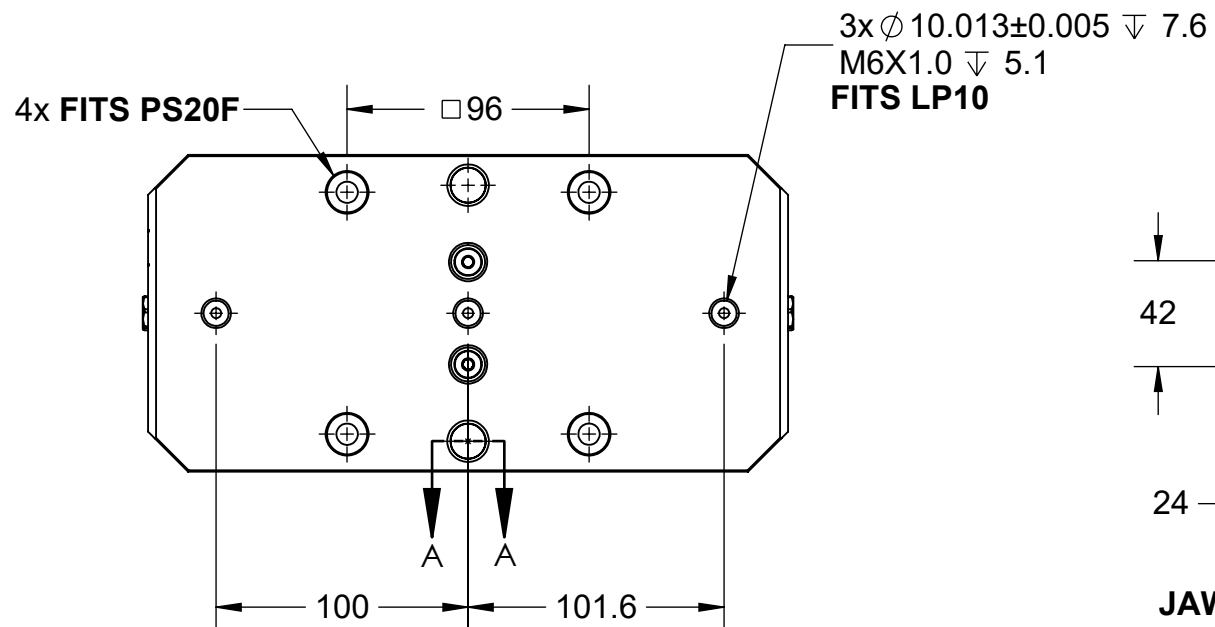
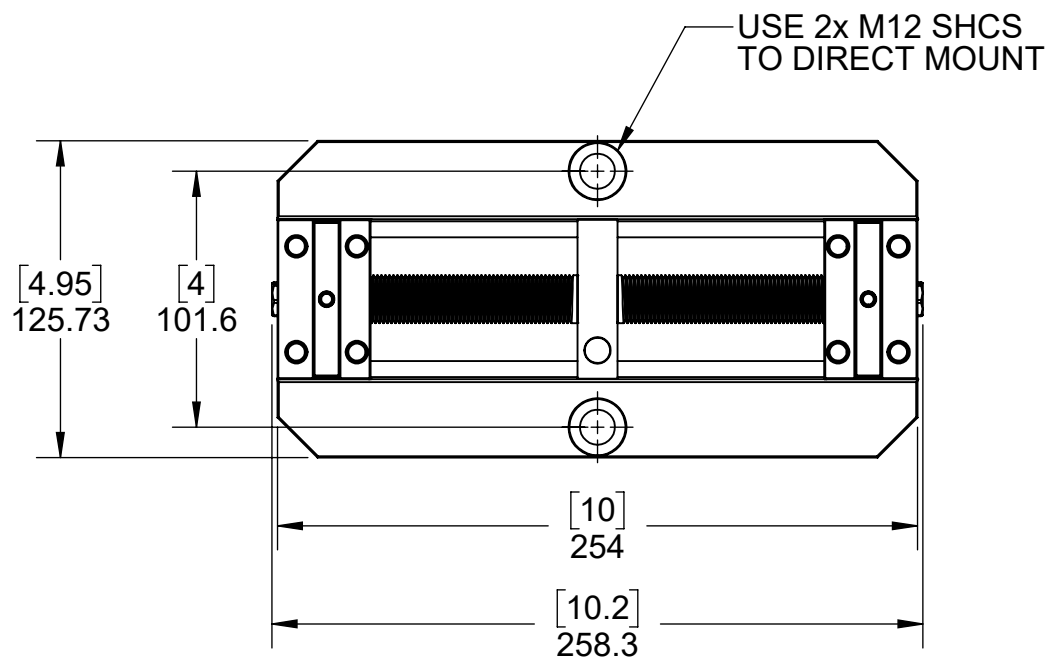
C

B

B

A

A



| | | | | |
|--|----------|-------------|------------------------------------|--------------|
| MILLIMETER | | | | |
| WWW.5THAXIS.COM 7140 ENGINEER ROAD SAN DIEGO, CA 92111 P (858) 505-0432 | | | | |
| THIRD ANGLE PROJECTION | | DESCRIPTION | LARGE SELF-CENTERING VISE, NO JAWS | |
| SIZE | PART NO. | V510X-NJ | | REV |
| B | | | | B |
| DO NOT SCALE DRAWING | | SCALE 1:3 | WEIGHT: | SHEET 1 OF 2 |

8

7

6

5

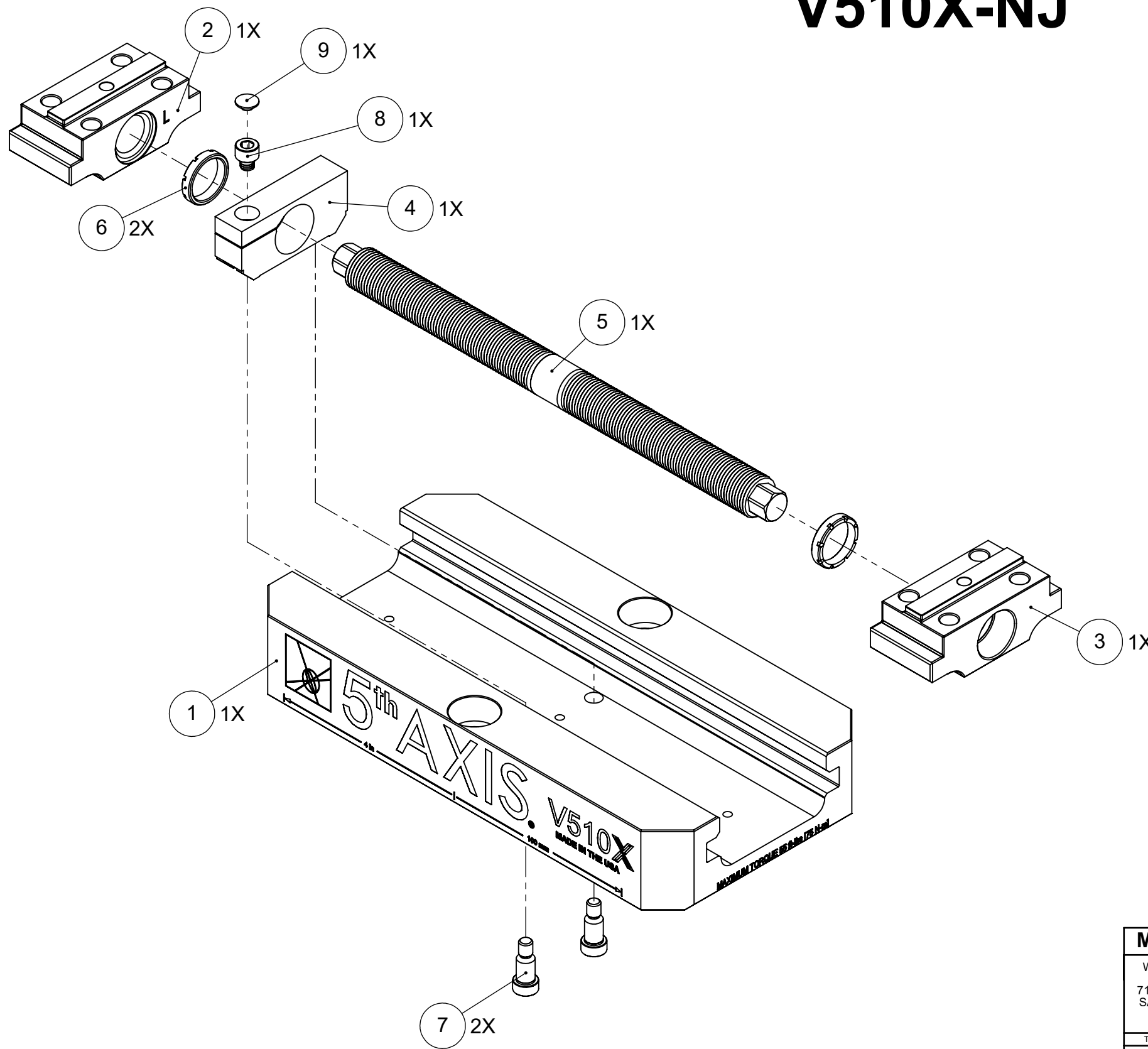
4

3

2

1

V510X-NJ



| ITEM NO. | PART NUMBER | DESCRIPTION | QTY. |
|--|-------------|-----------------------------|------|
| 1 | V510X-1 | BASE | 1 |
| 2 | V562X-2L | LEFT TRUCK | 1 |
| 3 | V562X-2R | RIGHT TRUCK | 1 |
| 4 | V562MX-3 | CENTER BLOCK | 1 |
| 5 | V5104M-4 | LEAD SCREW | 1 |
| 6 | V56124-6 | CENTER BLOCK RING | 2 |
| 7 | SB5VX | SHOULDER BOLT | 2 |
| 8 | - | SOCKET HEAD SCREW, M6x1x6mm | 1 |
| 9 | M6C | PLASTIC PLUG | 1 |
| 10 | ANTI-SEIZE | ANTI-SEIZE (NOT SHOWN) | 1 |
| 11 | LP10 | LOCATING PIN (NOT SHOWN) | 2 |
| 12 | TS13 | THUMB SCREW (NOT SHOWN) | 1 |
| FOR REFERENCE ONLY - NOT FOR RESALE | | | |

| | | | |
|---|--|-----------------------------|-----------------|
| MILLIMETER WWW.5THAXIS.COM 7140 ENGINEER ROAD SAN DIEGO, CA 92111 P (858) 505-0432 | | | |
| | DESCRIPTION LARGE SELF-CENTERING VISE, NO JAWS | | |
| THIRD ANGLE PROJECTION | SIZE B | PART NO. V510X-NJ | REV B |
| DO NOT SCALE DRAWING | | SCALE 1:2 | WEIGHT: |
| | | SHEET 2 OF 2 | |