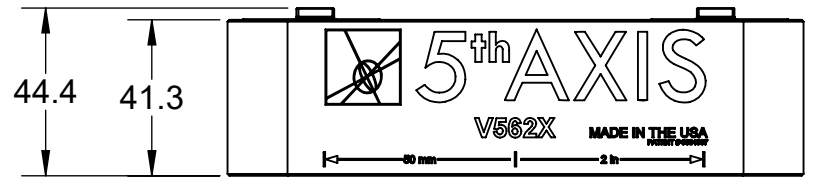
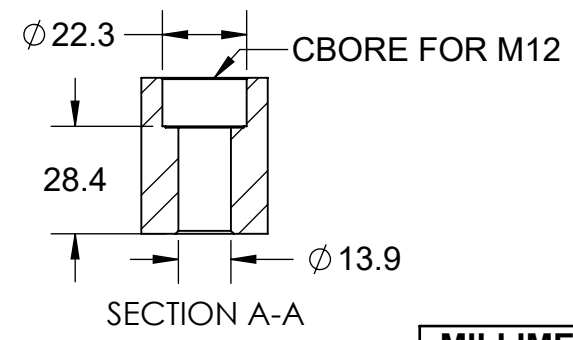
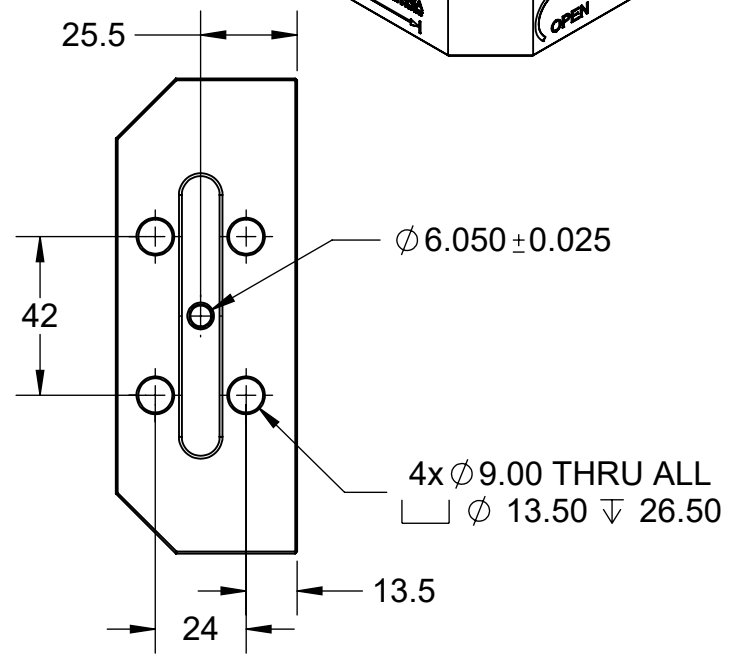
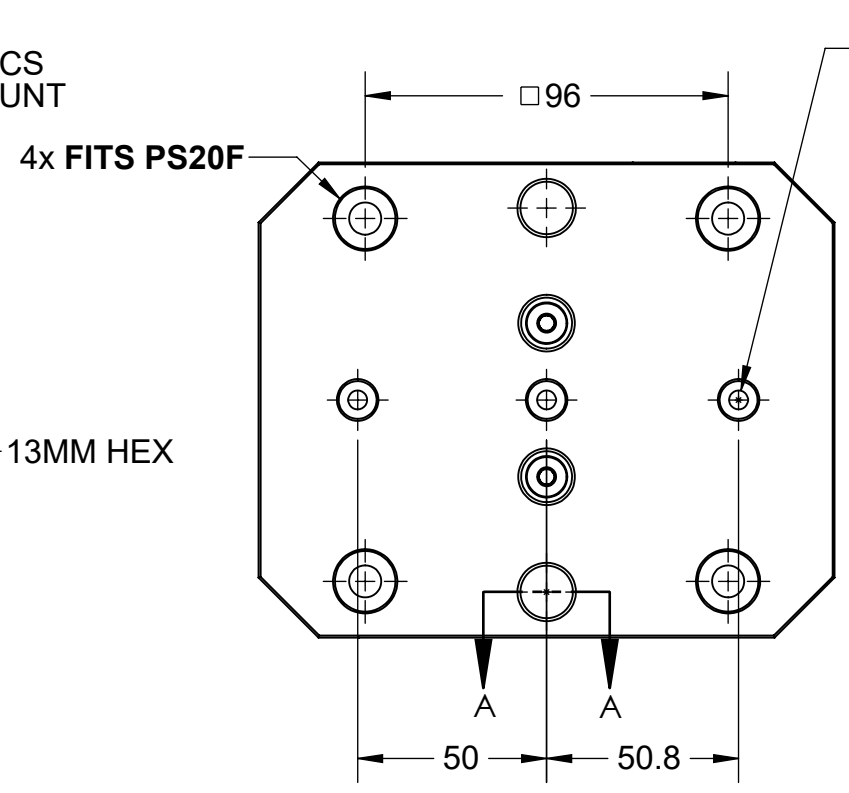
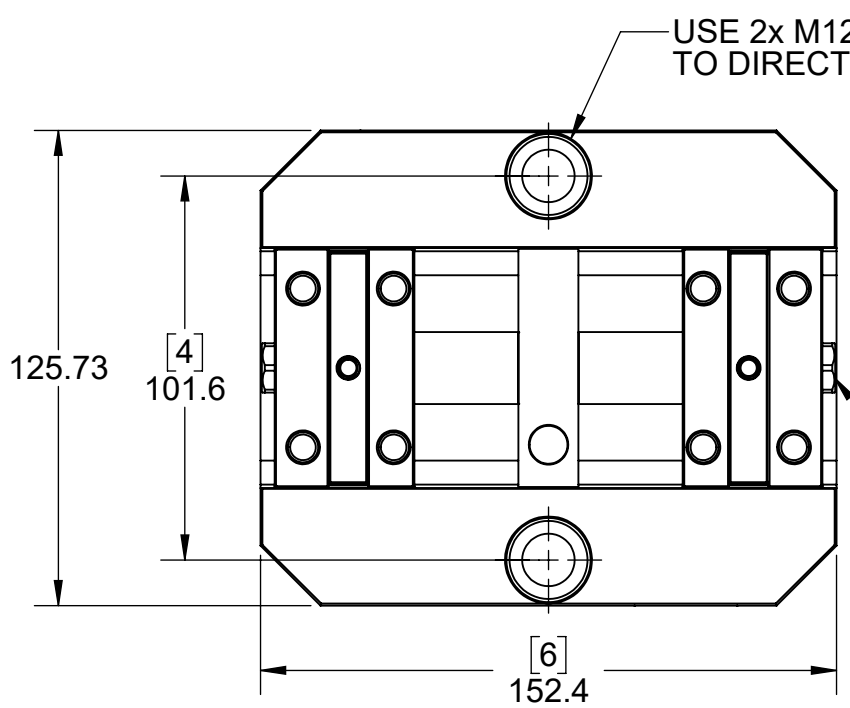
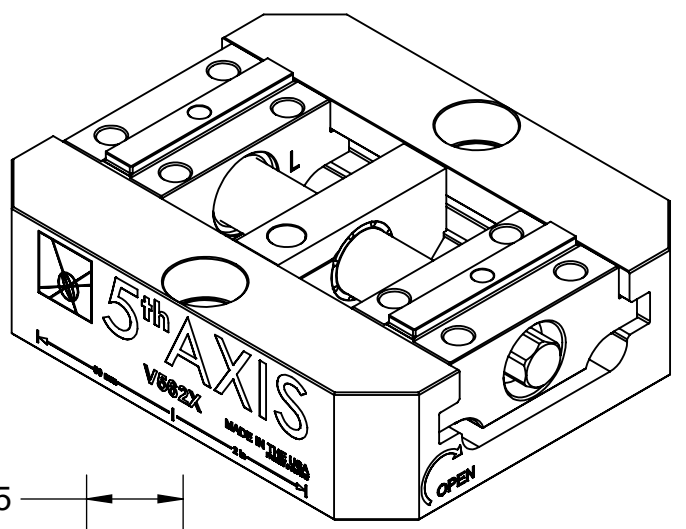



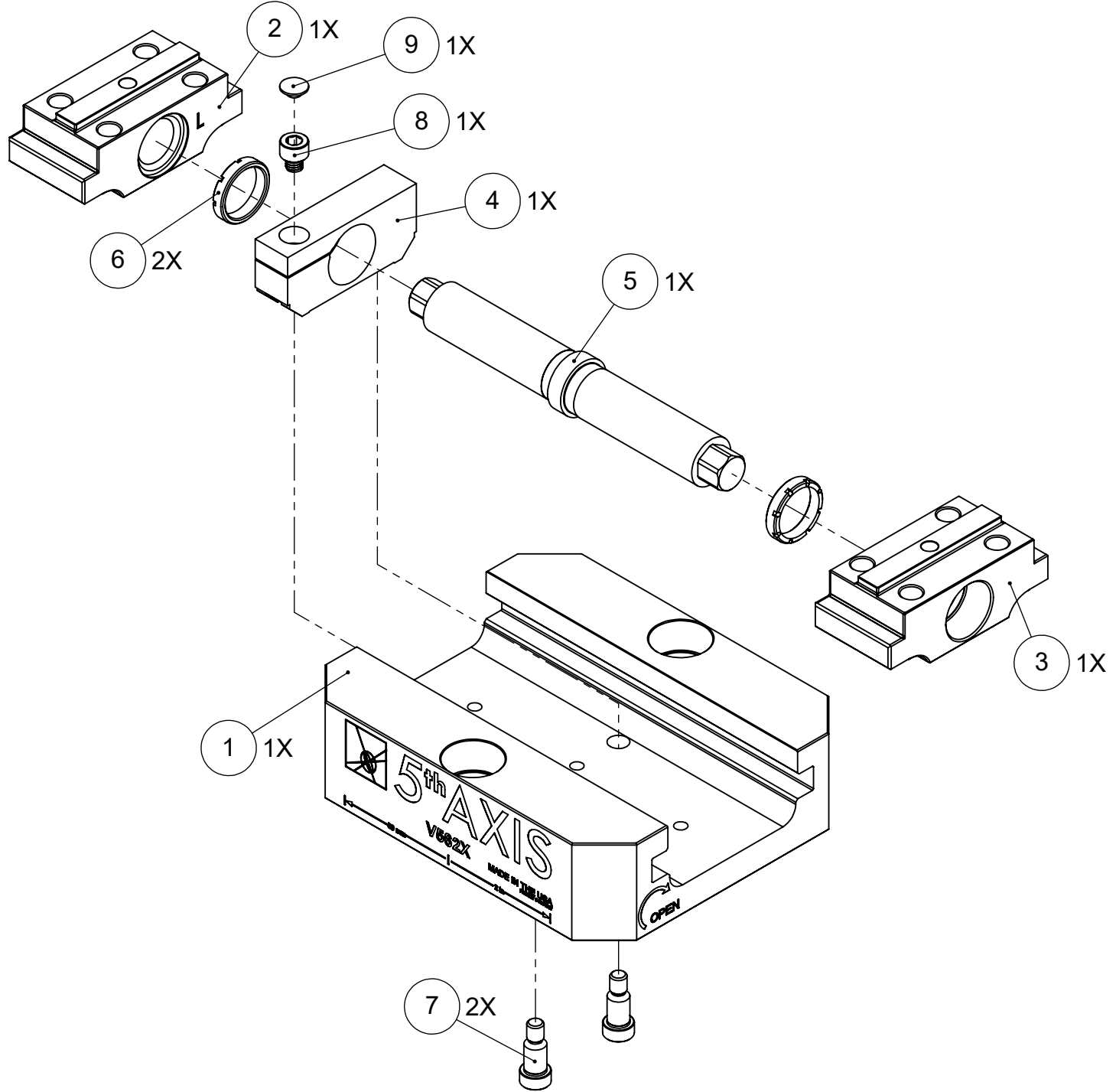
TECHNICAL DATA	V562X
JAW WIDTH	-
BASE LENGTH	254mm
MAXIMUM TORQUE (JAW BOLT)	27 Nm
CLAMPING FORCE	25 kN @ 75 Nm
MAXIMUM TORQUE (LEADSCREW)	75 Nm
MAXIMUM TORQUE (MOUNTING BOLT)	47 Nm
SELF-CENTERING ACCURACY	± 12.7 μm

# V562X-NJ



<b>MILLIMETER</b>			
WWW.5THAXIS.COM 7140 ENGINEER ROAD SAN DIEGO, CA 92111 P (858) 505-0432			
DESCRIPTION		<b>MEDIUM SELF-CENTERING VISE</b>	
SIZE	PART NO.	REV	
<b>B</b>	<b>V562X-NJ</b>	<b>B</b>	
DO NOT SCALE DRAWING		SCALE 1:2	WEIGHT:
		SHEET 1 OF 2	

# V562X-NJ



ITEM NO.	PART NUMBER	DESCRIPTION	QTY.
1	V562X-1	BASE	1
2	V562X-2L	LEFT TRUCK	1
3	V562X-2R	RIGHT TRUCK	1
4	V562MX-3	CENTER BLOCK	1
5	V562M-4	LEAD SCREW	1
6	V56124-6	CENTER BLOCK RING	2
7	SB5VX	SHOULDER BOLT	2
8	-	SOCKET HEAD SCREW, M6x1x6mm	1
9	M6C	PLASTIC PLUG	1
10	ANTI-SEIZE	ANTI-SEIZE (NOT SHOWN)	1
11	LP10	LOCATING PIN (NOT SHOWN)	2
12	TS13	THUMB SCREW (NOT SHOWN)	1
<b>FOR REFERENCE ONLY - NOT FOR RESALE</b>			

<b>MILLIMETER</b> WWW.5THAXIS.COM 7140 ENGINEER ROAD SAN DIEGO, CA 92111 P (858) 505-0432			
	<b>DESCRIPTION</b> MEDIUM SELF-CENTERING VISE		
<b>THIRD ANGLE PROJECTION</b> 	<b>SIZE</b> <b>B</b>	<b>PART NO.</b> <b>V562X-NJ</b>	<b>REV</b> <b>B</b>
DO NOT SCALE DRAWING		SCALE 1:2	WEIGHT:
		SHEET 2 OF 2	