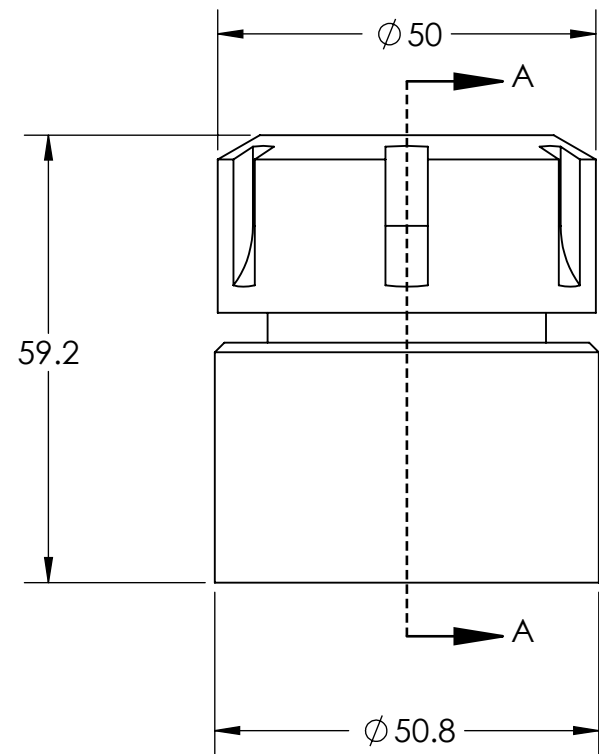
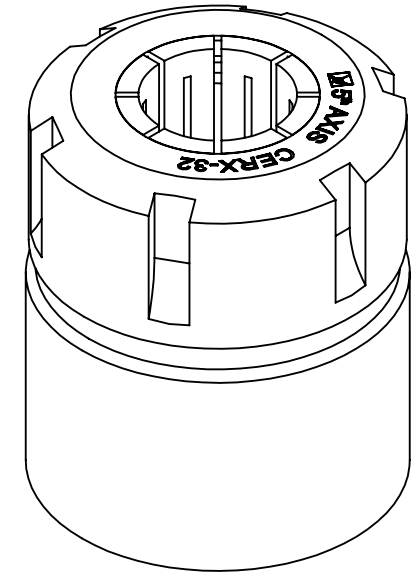
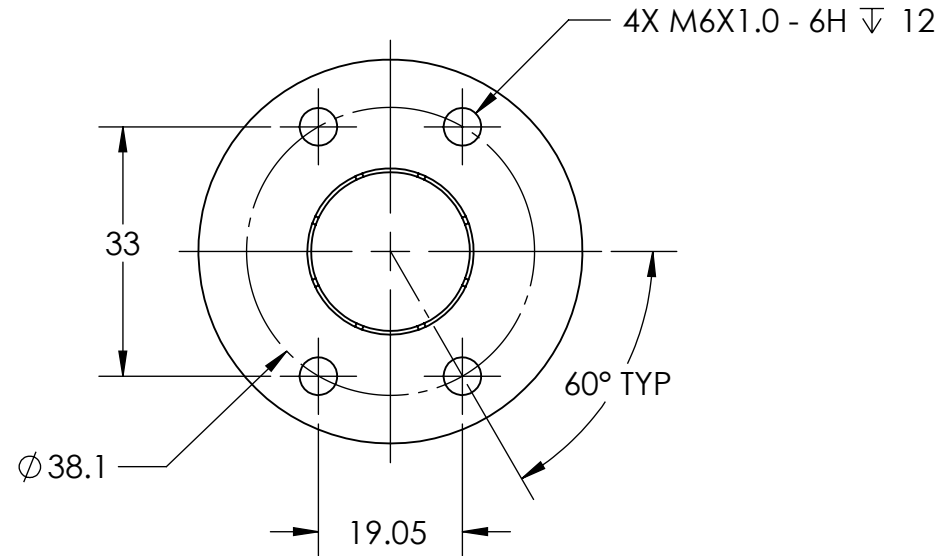
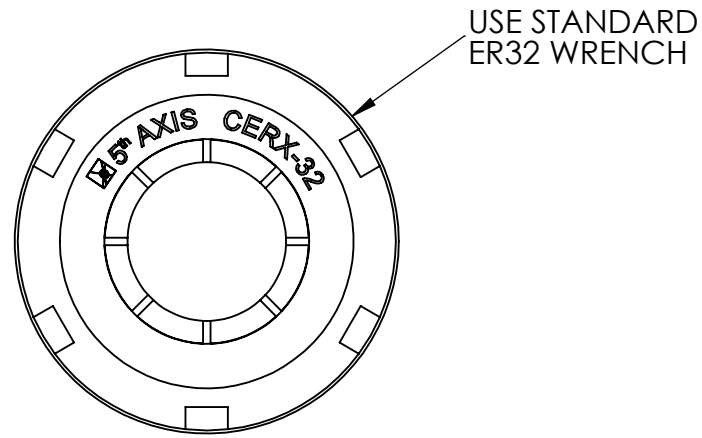
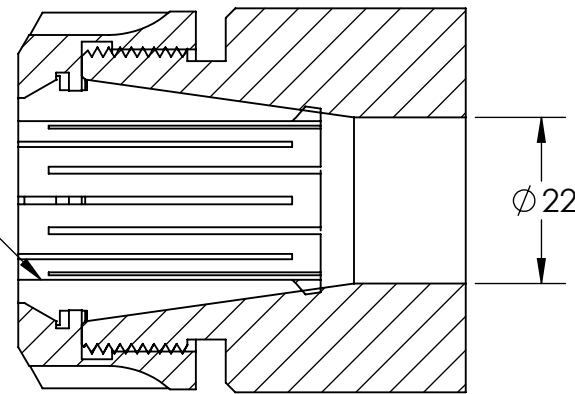



CERX-32



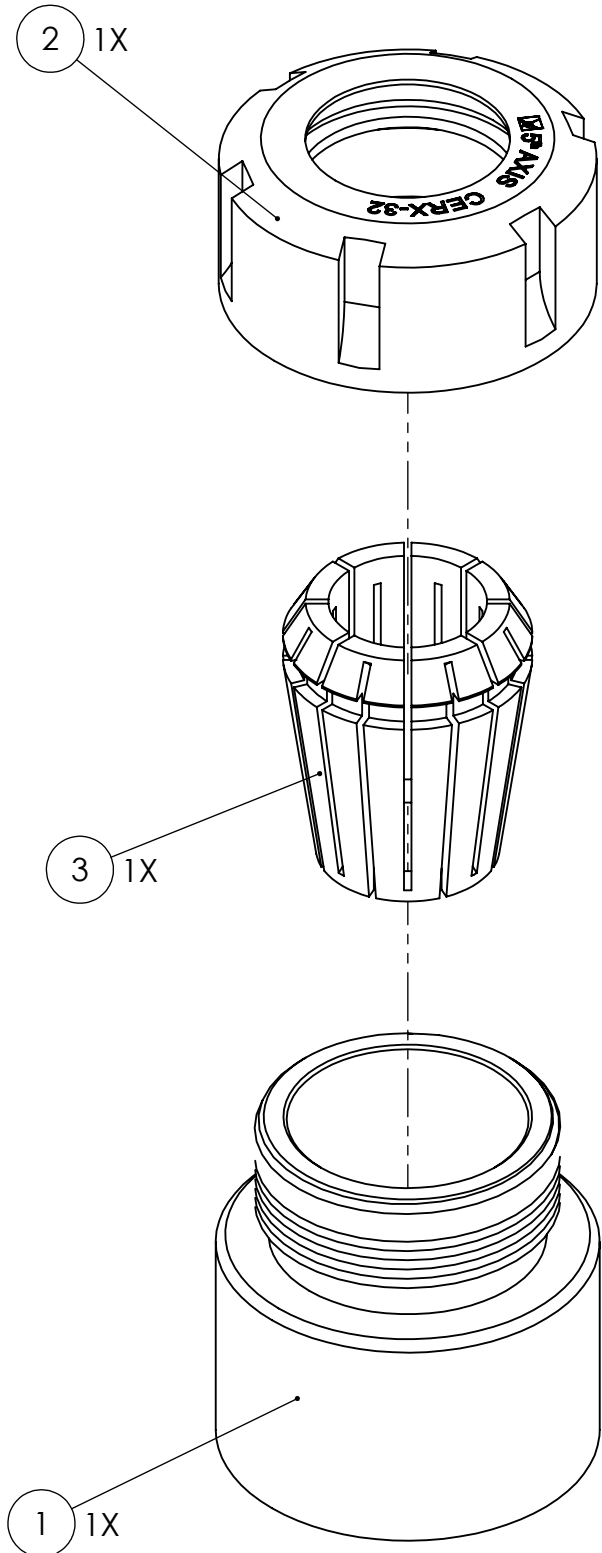
USE ANY ER32 COLLET

PRECISION BORE USED FOR LOCATING


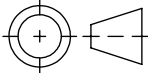


MILLIMETER				
WWW.5THAXIS.COM 7140 ENGINEER ROAD SAN DIEGO, CA 92111 P (858) 505-0432				
THIRD ANGLE PROJECTION		DESCRIPTION	ROUND BAR FIXTURE	
SIZE	PART NO.	REV		
B	CERX-32	B		
DO NOT SCALE DRAWING		SCALE 1:1	WEIGHT:	SHEET 1 OF 2

CERX-32



ITEM NO.	PART NUMBER	DESCRIPTION	QTY.
1	CERX-32-1	CERX-32 BASE	1
2	CERX-32-2	CERX-32 NUT	1
3	CERX-32-3	ER32 COLLET	1

MILLIMETER			
WWW.5THAXIS.COM 7140 ENGINEER ROAD SAN DIEGO, CA 92111 P (858) 505-0432			
THIRD ANGLE PROJECTION		DESCRIPTION	
		ROUND BAR FIXTURE	
SIZE	PART NO.	REV	
B	CERX-32	B	
DO NOT SCALE DRAWING		SCALE 1:1	WEIGHT:
		SHEET 2 OF 2	