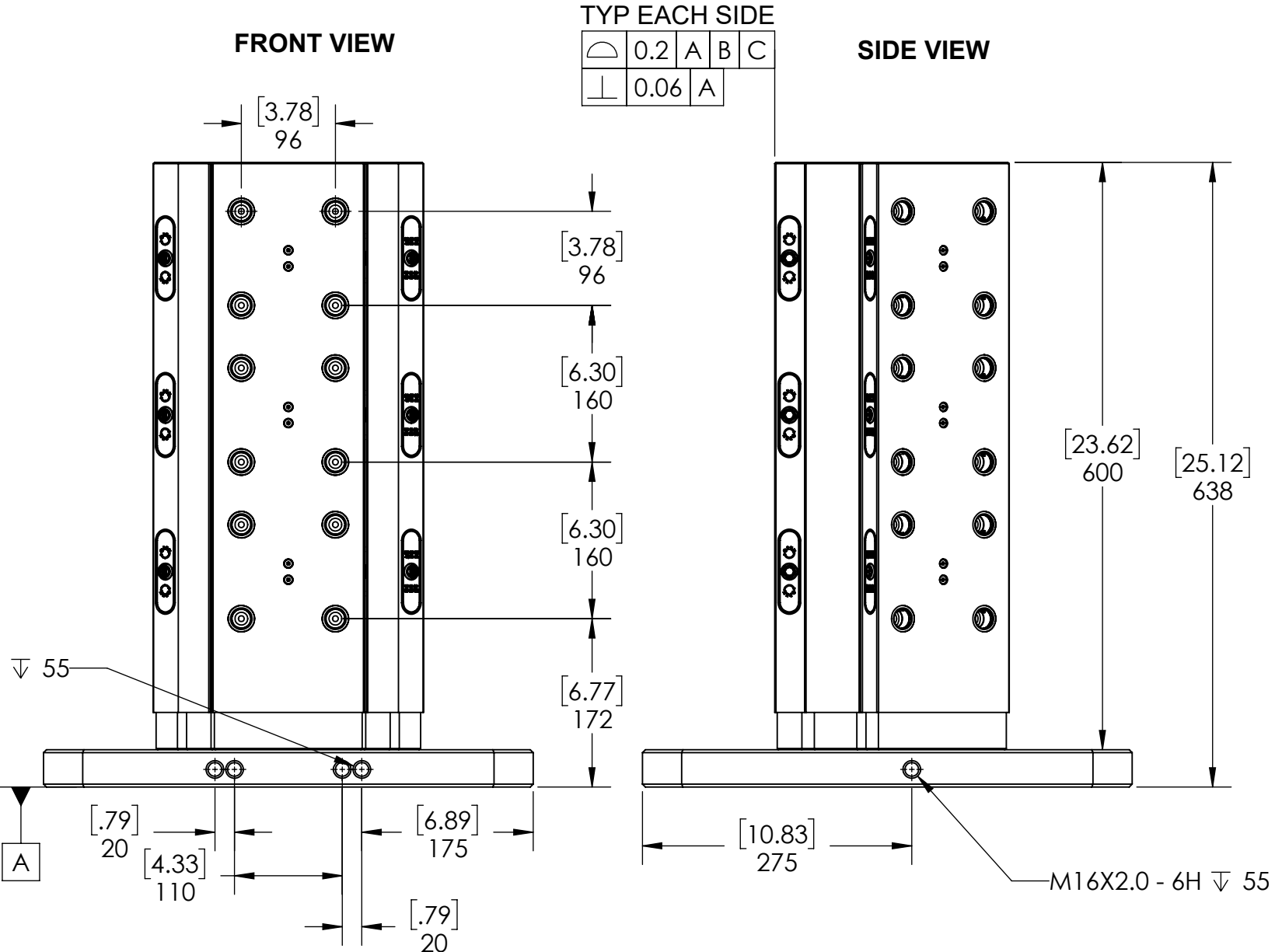
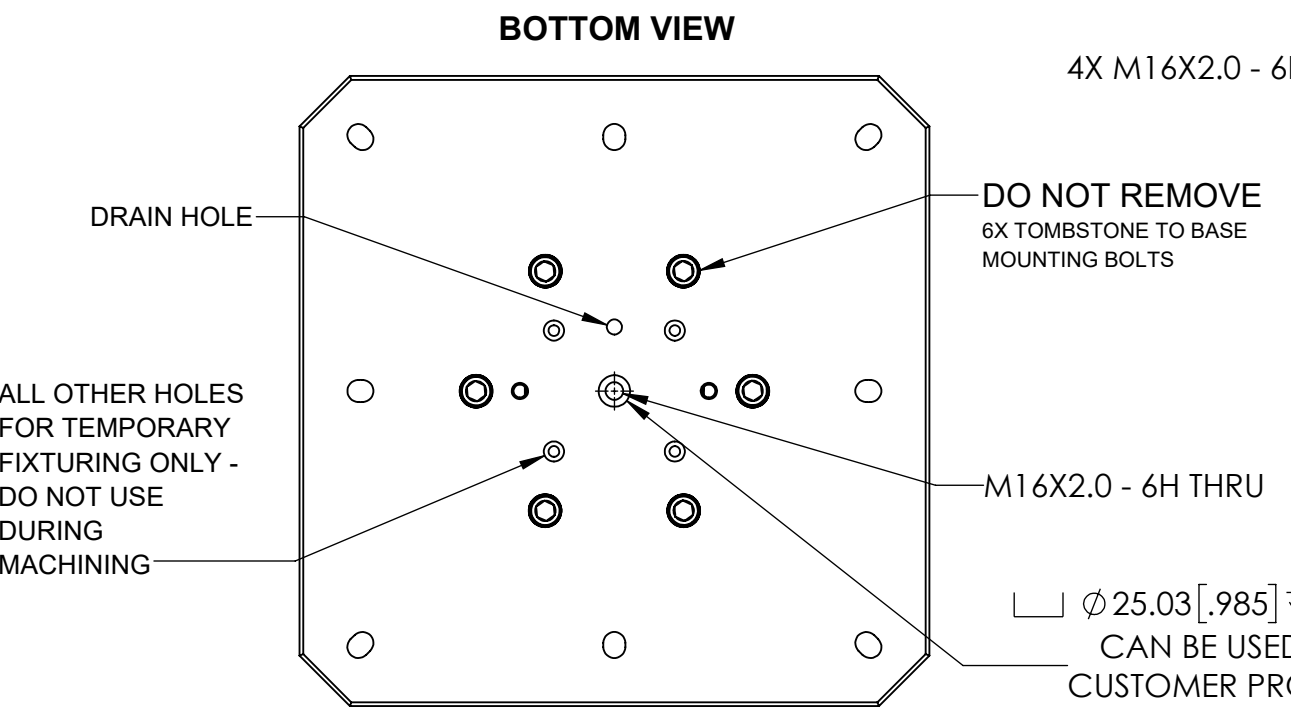
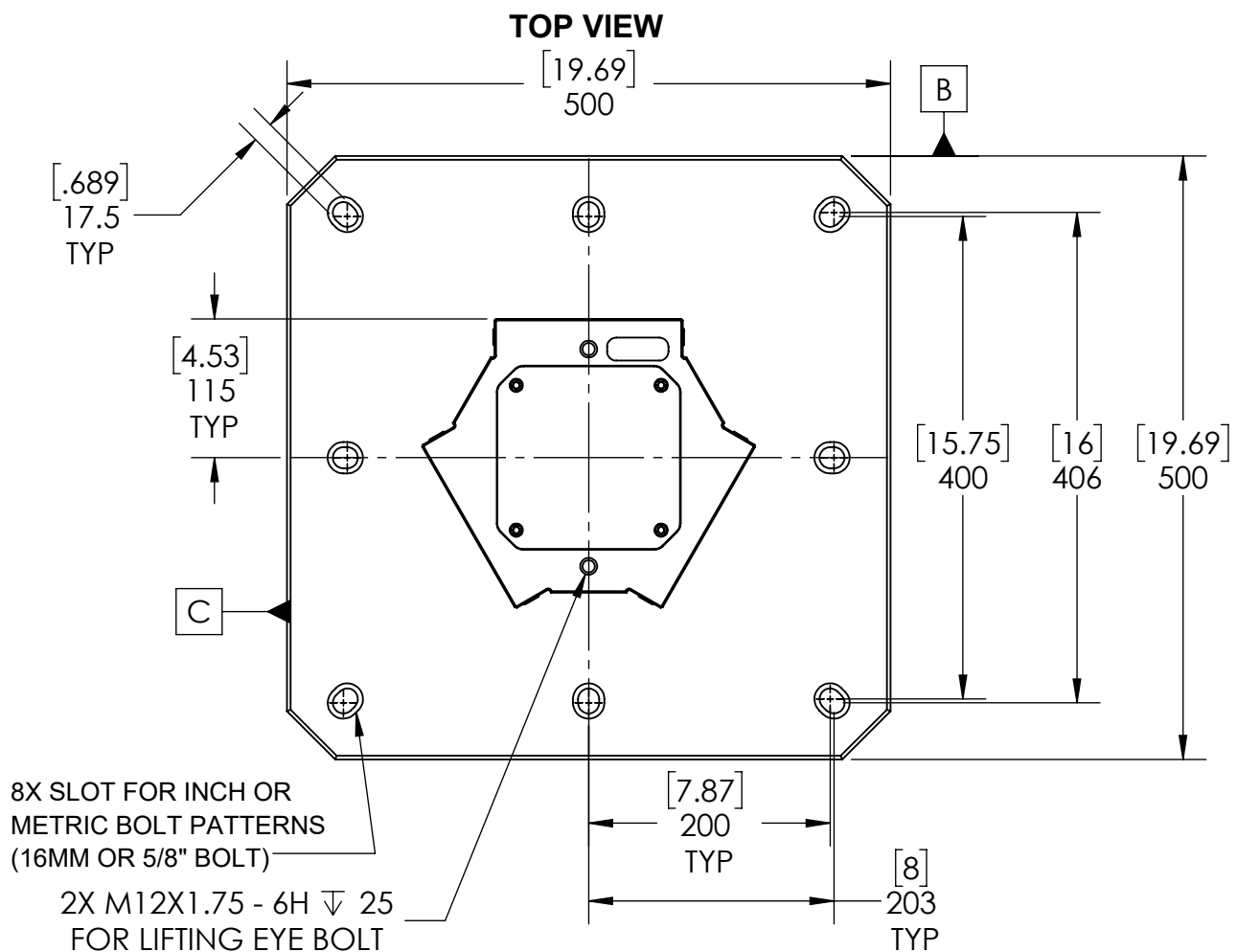
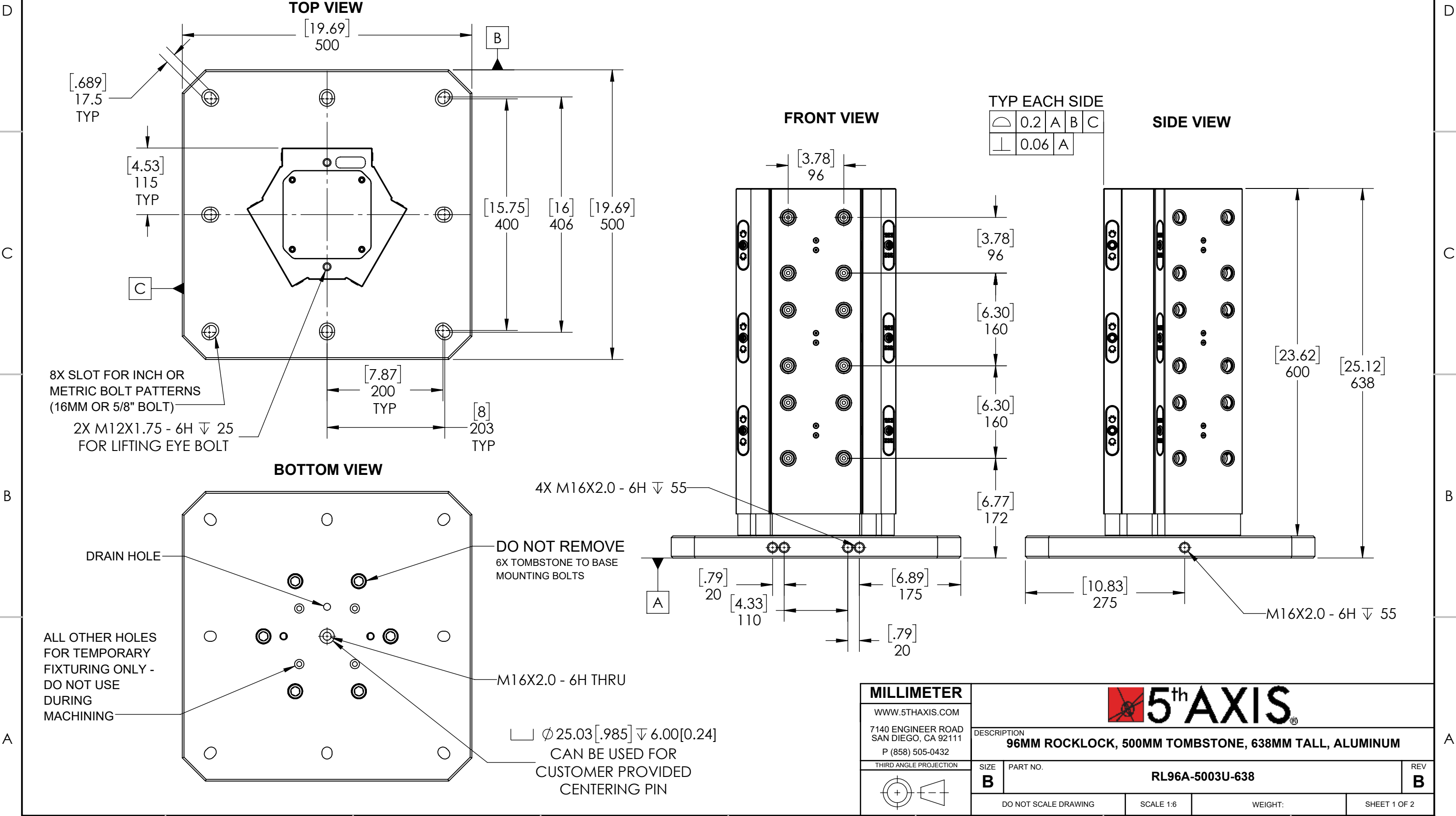


8 7 6 5 4 3 2 1

**MATERIAL: ALUMINIUM**

# RL96A-5003U-638



<b>MILLIMETER</b>			
WWW.5THAXIS.COM			
7140 ENGINEER ROAD SAN DIEGO, CA 92111 P (858) 505-0432		DESCRIPTION <b>96MM ROCKLOCK, 500MM TOMBSTONE, 638MM TALL, ALUMINIUM</b>	
THIRD ANGLE PROJECTION	SIZE <b>B</b>	PART NO. <b>RL96A-5003U-638</b>	REV <b>B</b>
DO NOT SCALE DRAWING		SCALE 1:6	WEIGHT:
			SHEET 1 OF 2

8 7 6 5 4 3 2 1

8

7

6

5

4

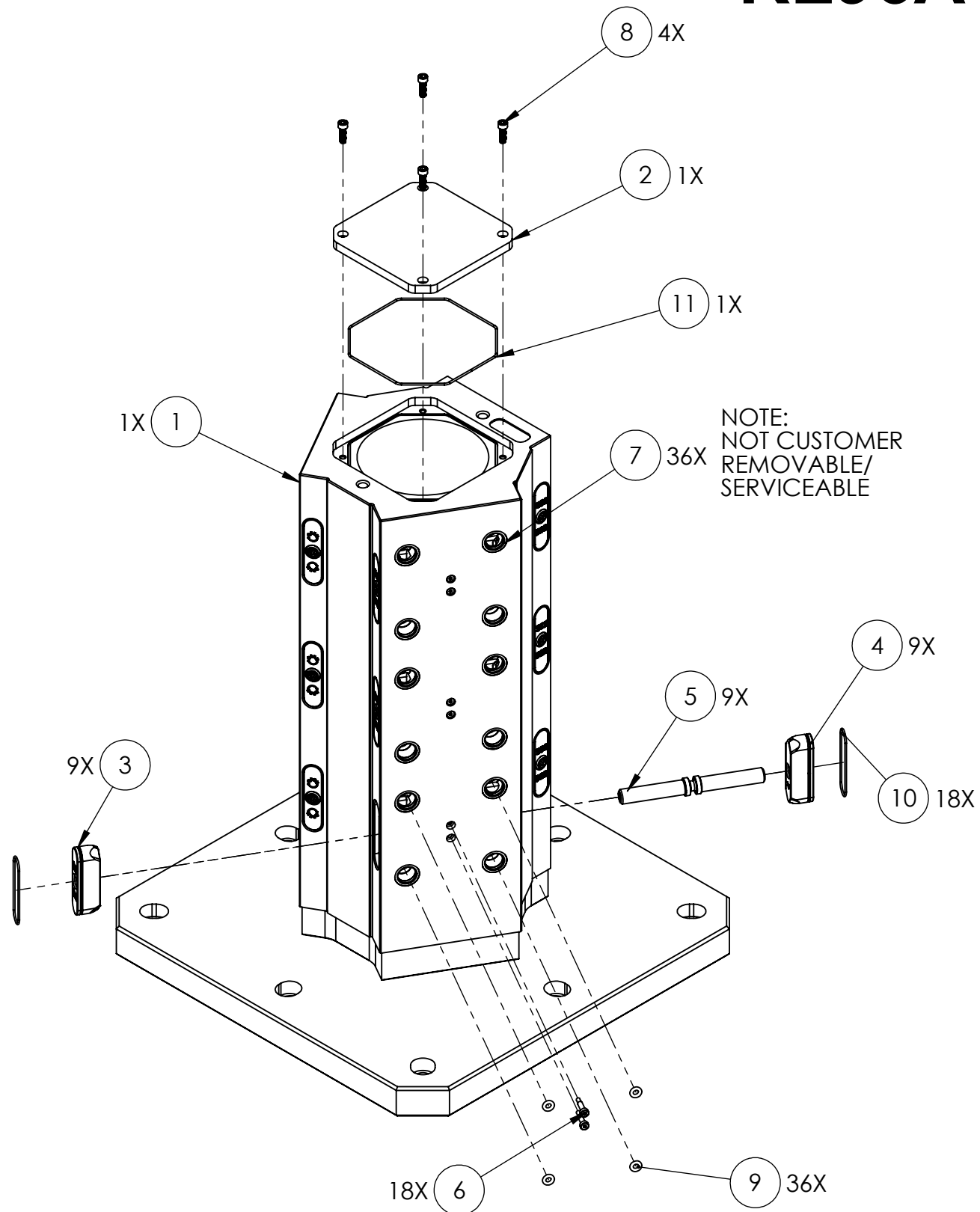
3

2

1

MATERIAL: ALUMINIUM

# RL96A-5003U-638



NOTE:  
NOT CUSTOMER  
REMOVABLE/  
SERVICEABLE

ITEM NO.	PART NUMBER	DESCRIPTION	QTY.
1	RL96-5003-600A	96MM ROCKLOCK, 500MM BASE, 600MM 3-SIDE TOWER	1
2	RL96-14TC	96MM ROCKLOCK, 230MM TOMB CAP, ALUMINIUM	1
3	RL96-2L	96MM ROCKLOCK, LOCK, LEFT	9
4	RL96-2R	96MM ROCKLOCK, LOCK, RIGHT	9
5	RL96-3	96MM ROCKLOCK, LEAD SCREW	9
6	SB54	SHOULDER BOLT 5MM DIAM 24MM LENGTH M4X0.7	18
7	HW27X20.DB	96MM ROCKLOCK BUSHING	36
8	-	SOCKET HEAD SCREW, M6x1x20mm	4
9	-	BUNA-N O-RING, 1/8 - #202	36
10	-	BUNA-N O-RING, 1/16 - #033	18
11	-	O-RING, 156mm ID X 2mm THK, BUNA-N, 70A	1

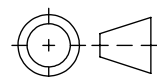
MILLIMETER

WWW.5THAXIS.COM  
7140 ENGINEER ROAD  
SAN DIEGO, CA 92111  
P (858) 505-0432



DESCRIPTION  
**96MM ROCKLOCK, 500MM TOMBSTONE, ALUMINIUM**

THIRD ANGLE PROJECTION



SIZE

**B**

PART NO.

**RL96A-5003U-638**

REV

**B**

DO NOT SCALE DRAWING

SCALE 1:6

WEIGHT:

SHEET 2 OF 2

8

7

6

5

4

3

2

1

D

D

C

C

B

B

A

A