

MATERIAL: ALUMINIUM

# MTA-4004U-900

D

C

B

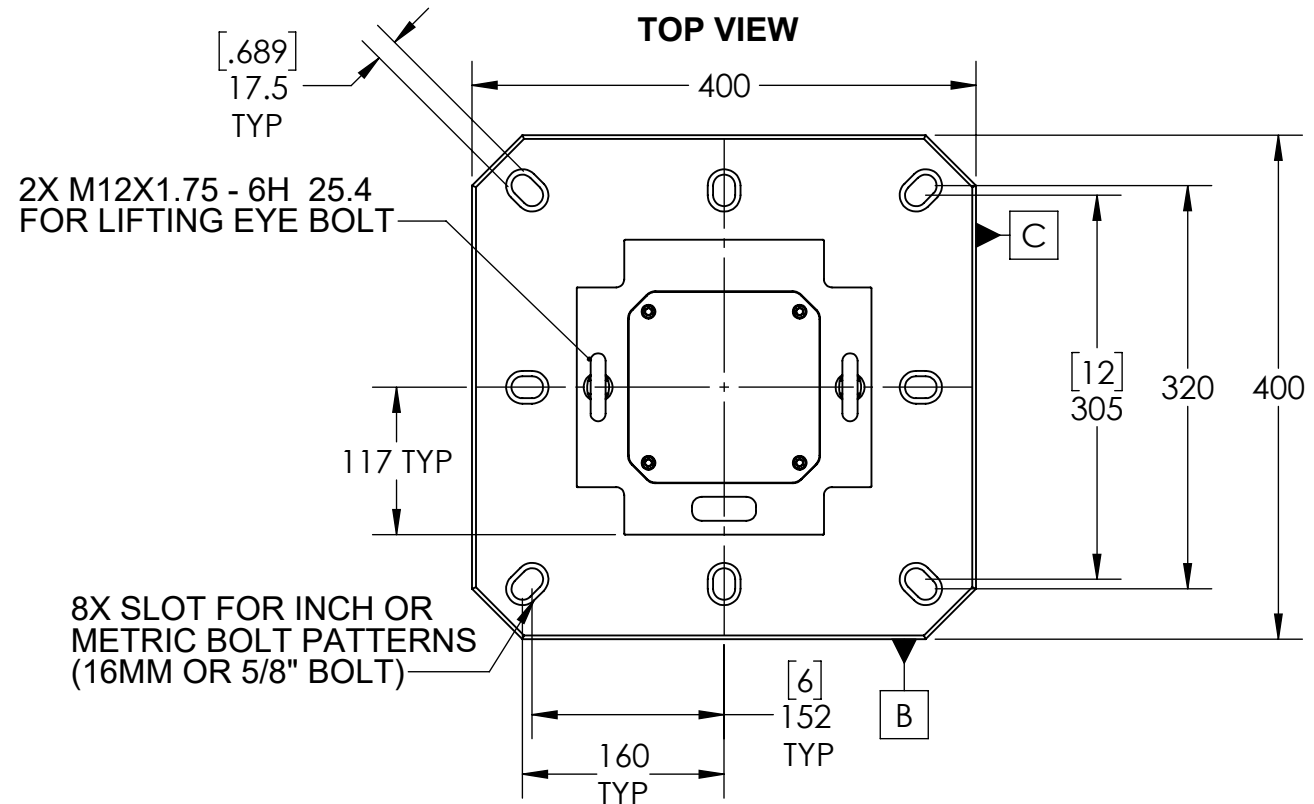
A

D

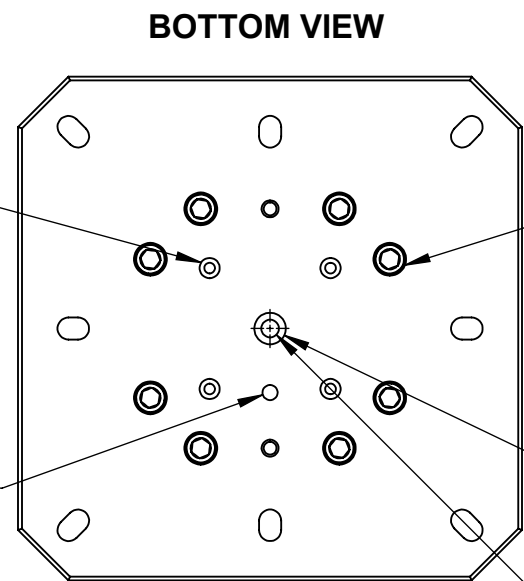
C

B

A



ALL OTHER HOLES FOR TEMPORARY FIXTURING ONLY - DO NOT USE DURING MACHINING

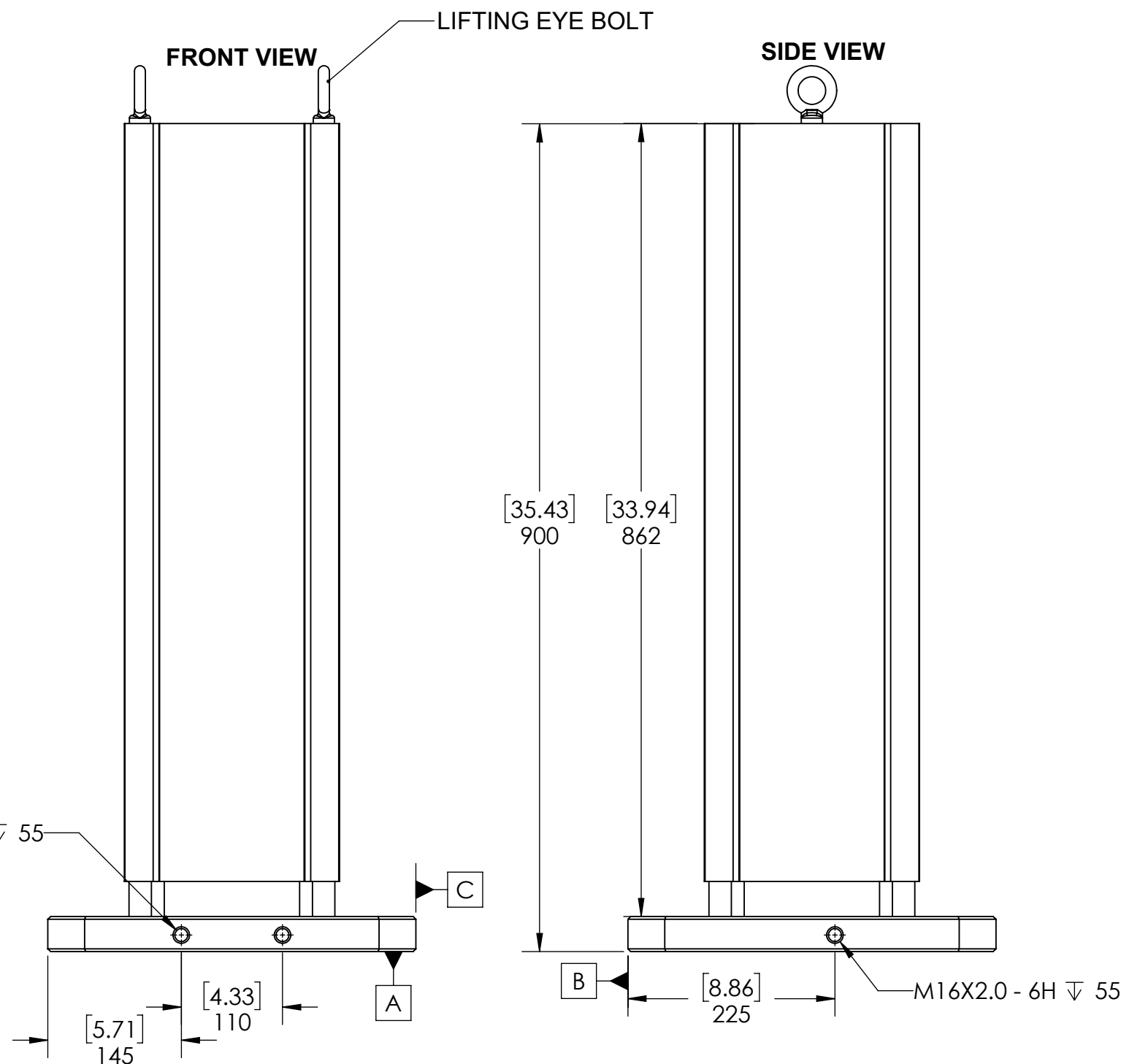


DO NOT REMOVE 8X TOMBSTONE TO BASE MOUNTING BOLTS

□  $\varnothing 25$  [.985]  $\nabla 6$  CAN BE USED FOR CUSTOMER PROVIDED CENTERING PIN

M16X2.0 - 6H  $\nabla 22$

2X M16X2.0 - 6H  $\nabla 55$



<b>MILLIMETER</b>			
WWW.5THAXIS.COM			
7140 ENGINEER ROAD SAN DIEGO, CA 92111 P (858) 505-0432		DESCRIPTION <b>MACHINABLE, 400MM TOMBSTONE, ALUMINIUM</b>	
THIRD ANGLE PROJECTION	SIZE <b>B</b>	PART NO. <b>MTA-4004U-900</b>	REV <b>A</b>
DO NOT SCALE DRAWING		SCALE 1:6	WEIGHT: 92.03kg
		SHEET 1 OF 2	

8

7

6

5

4

3

2

1

8

7

6

5

4

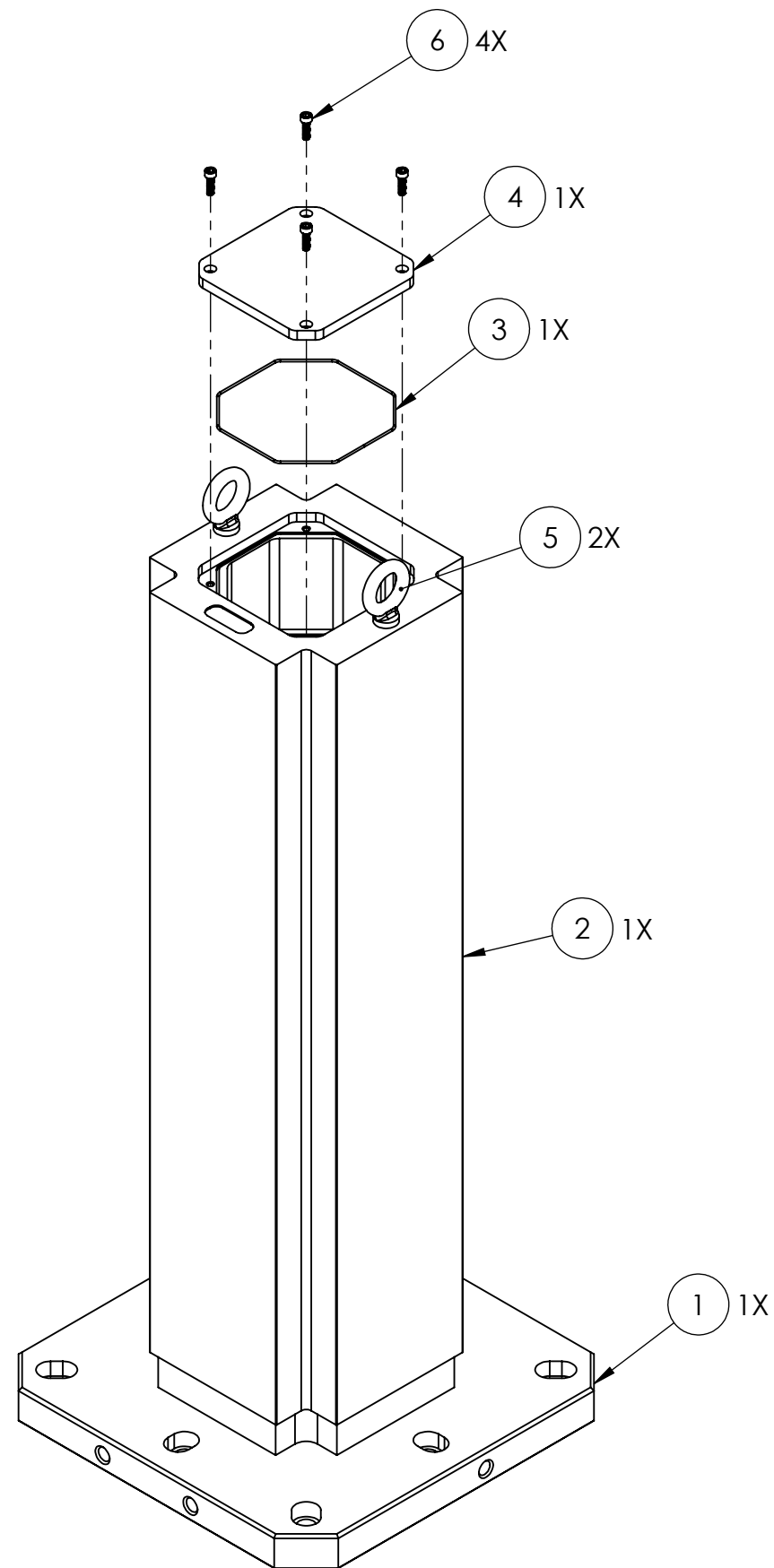
3

2


1

MATERIAL: ALUMINIUM

# MTA-4004U-900



ITEM NO.	PART NUMBER	DESCRIPTION	QTY.
1	RL96-4004BUA	400MM UNIVERSAL BASE FOR 4 SIDED ALUMINUM TOWER	1
2	MT-4862A	4 SIDED ALUMINUM MACHINABLE TOWER 862MM TALL	1
3	-	O-RING, 156mm ID X 2mm THK, BUNA-N, 70A	1
4	RL96-14TC	96MM ROCKLOCK, 230MM TOMB CAP, ALUMINIUM	1
5	-	30mm ID M12x1.75x24mm STEEL EYEBOLT (FOR LIFTING)	2
6	HW.76172	SOCKET HEAD CAP SCREW, M6x1x20mm	4

<b>MILLIMETER</b>			
WWW.5THAXIS.COM 7140 ENGINEER ROAD SAN DIEGO, CA 92111 P (858) 505-0432			
THIRD ANGLE PROJECTION		DESCRIPTION <b>MACHINABLE, 400MM TOMBSTONE, ALUMINIUM</b>	
SIZE <b>B</b>	PART NO. <b>MTA-4004U-900</b>	REV <b>A</b>	
DO NOT SCALE DRAWING		SCALE 1:6	WEIGHT: 92.03kg
		SHEET 2 OF 2	

8

7

6

5

4

3

2

1