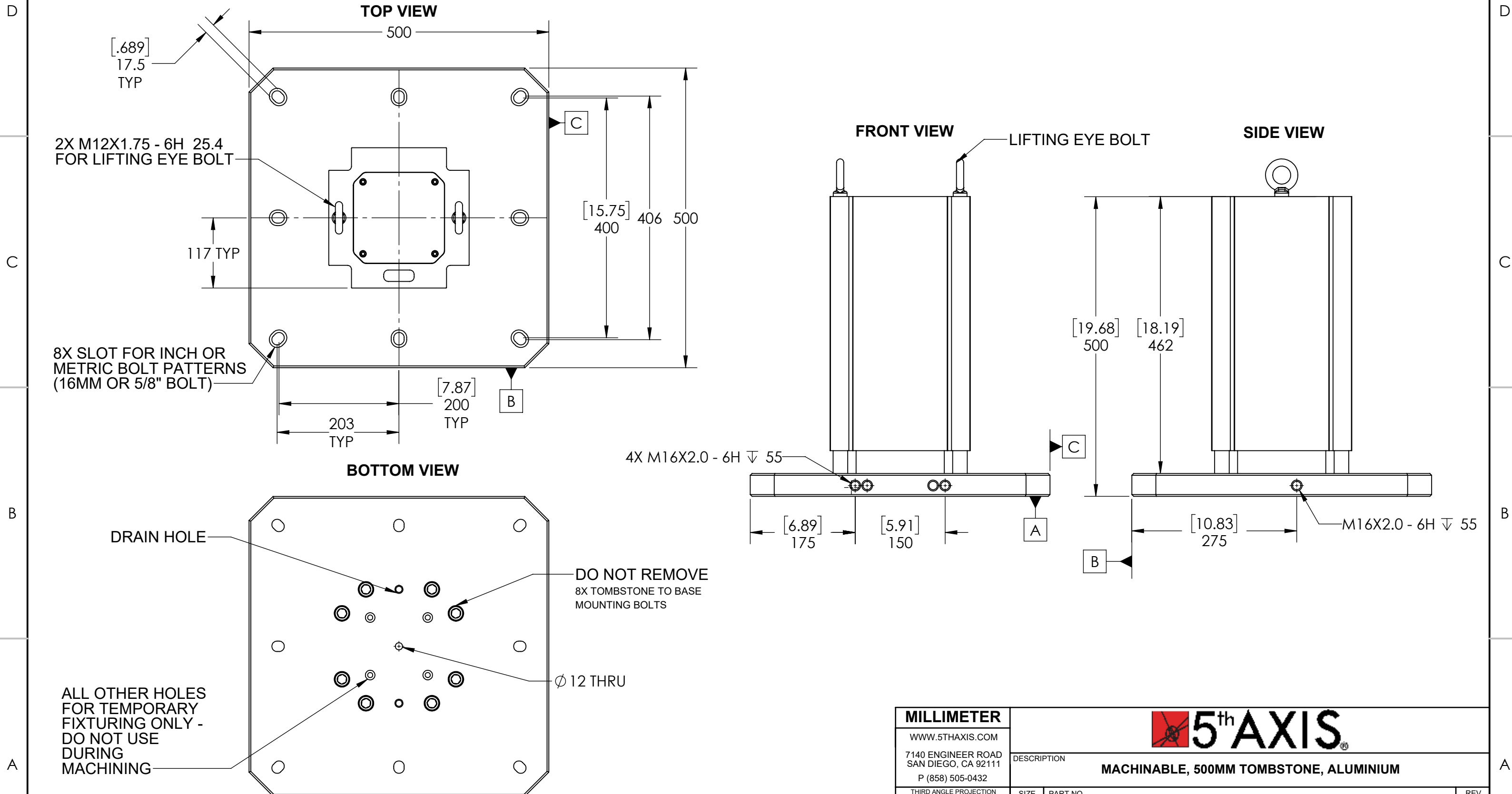



MATERIAL: ALUMINIUM

MTA-5004U-500



MILLIMETER				
WWW.5THAXIS.COM 7140 ENGINEER ROAD SAN DIEGO, CA 92111 P (858) 505-0432				
THIRD ANGLE PROJECTION		DESCRIPTION	MACHINABLE, 500MM TOMBSTONE, ALUMINIUM	
SIZE	PART NO.	REV		
B	MTA-5004U-500	A		
DO NOT SCALE DRAWING		SCALE 1:6	WEIGHT: 65.75kg	SHEET 1 OF 2

8

7

6

5

4

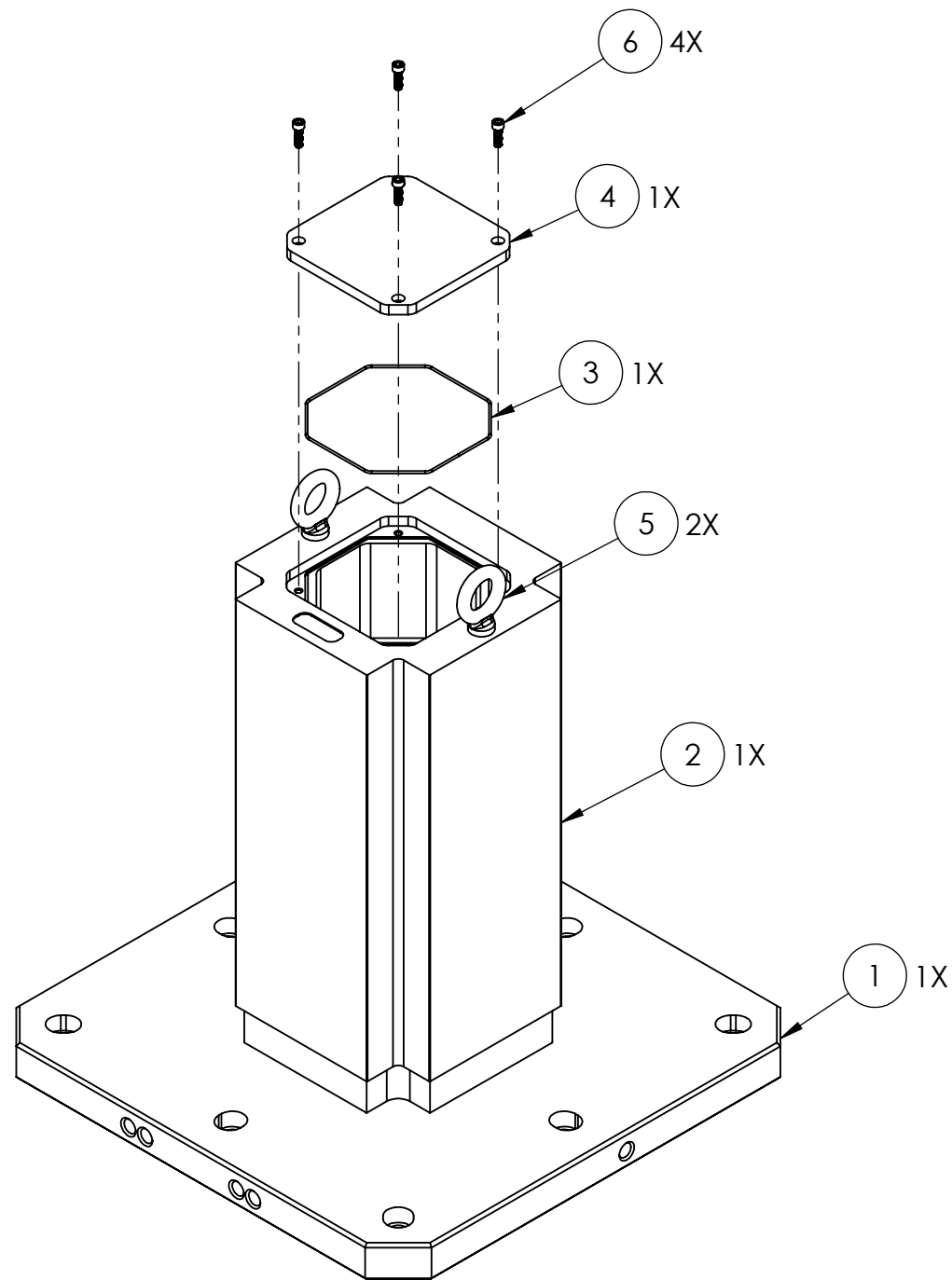
3

2

1

MATERIAL: ALUMINIUM

MTA-5004U-500

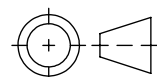


ITEM NO.	PART NUMBER	DESCRIPTION	QTY.
1	RL96-5004BUA	500MM UNIVERSAL BASE FOR 4 SIDED ALUMINUM TOWER	1
2	MT-4462A	4 SIDED ALUMINUM MACHINABLE TOWER 462MM TALL	1
3	-	O-RING, 156mm ID X 2mm THK, BUNA-N, 70A	1
4	RL96-14TC	96MM ROCKLOCK, 230MM TOMB CAP, ALUMINIUM	1
5	-	30mm ID M12x1.75x24mm STEEL EYEBOLT (FOR LIFTING)	2
6	HW.76172	SOCKET HEAD CAP SCREW, M6x1x20mm	4

MILLIMETER

WWW.5THAXIS.COM
 7140 ENGINEER ROAD
 SAN DIEGO, CA 92111
 P (858) 505-0432

THIRD ANGLE PROJECTION



DESCRIPTION
MACHINABLE, 500MM TOMBSTONE, ALUMINIUM

SIZE B	PART NO. MTA-5004U-500	REV A
------------------	----------------------------------	-----------------

DO NOT SCALE DRAWING

SCALE 1:6

WEIGHT: 65.75kg

SHEET 2 OF 2

8

7

6

5

4

3

2

1