

8

7

6

5

4

3

2

1

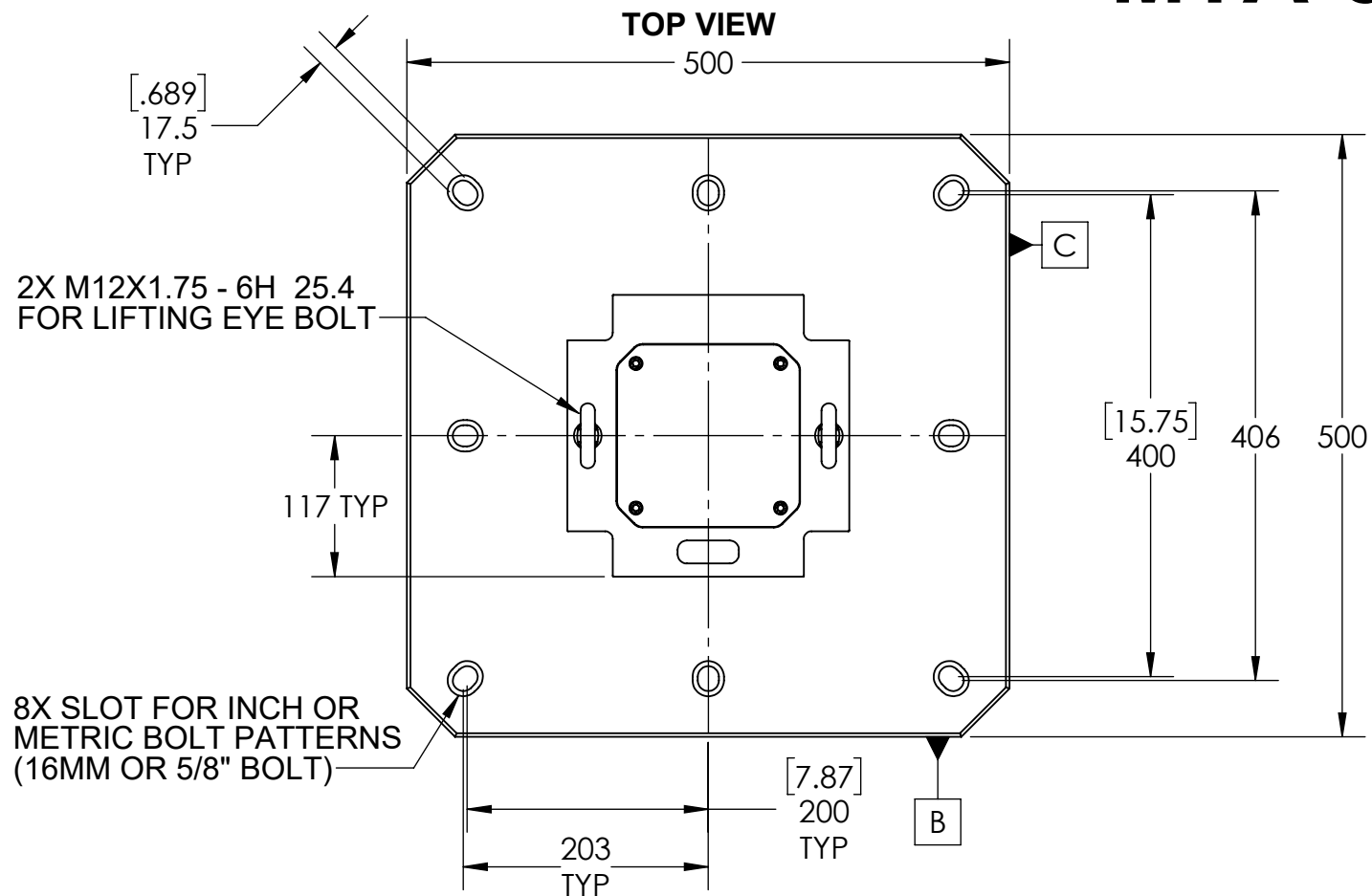
MATERIAL: ALUMINIUM

MTA-5004U-800

D

D

TOP VIEW



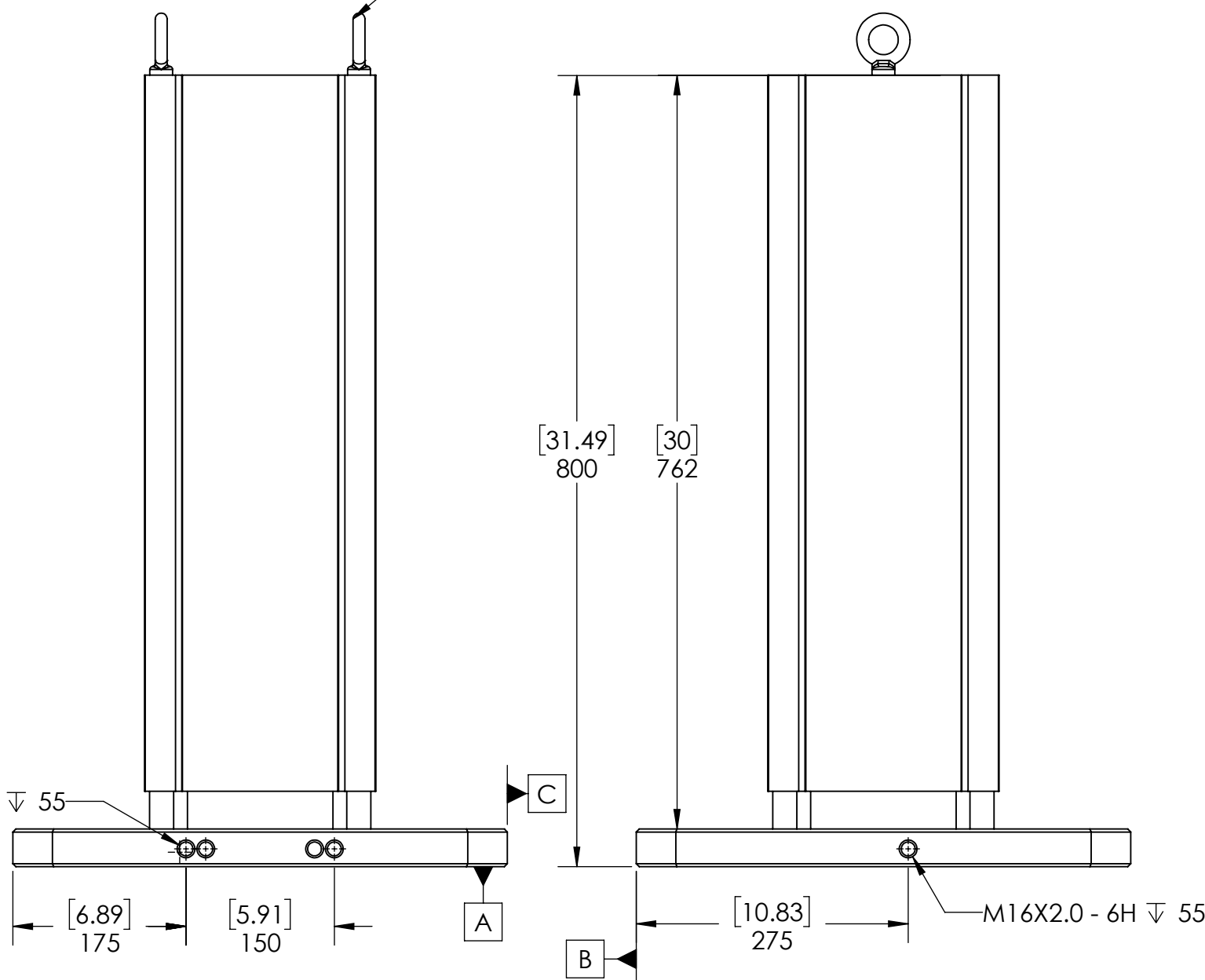
C

C

FRONT VIEW

LIFTING EYE BOLT

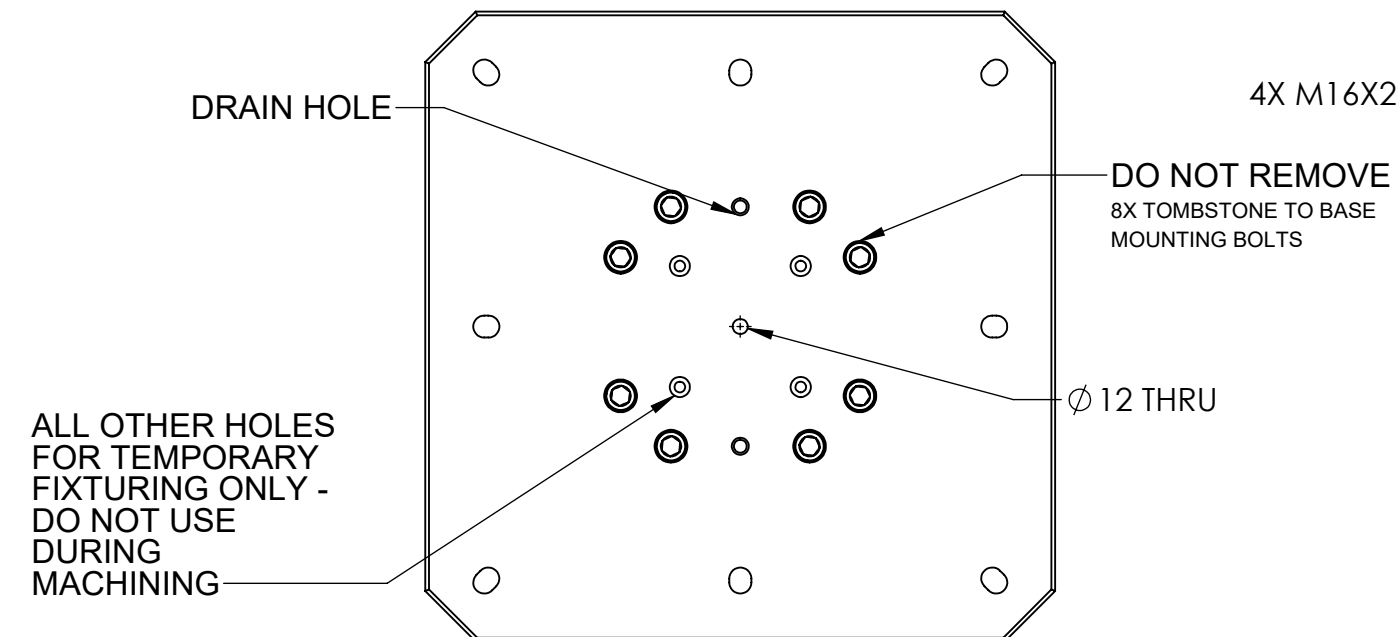
SIDE VIEW



B

B

BOTTOM VIEW



A

A

8

7

6

5

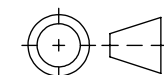
4

3

2

1

MILLIMETER			
WWW.5THAXIS.COM			
7140 ENGINEER ROAD SAN DIEGO, CA 92111 P (858) 505-0432		DESCRIPTION MACHINABLE, 500MM TOMBSTONE, ALUMINIUM	
THIRD ANGLE PROJECTION	SIZE B	PART NO. MTA-5004U-800	REV A
DO NOT SCALE DRAWING		SCALE 1:6	WEIGHT: 92.44kg
		SHEET 1 OF 2	



8

7

6

5

4

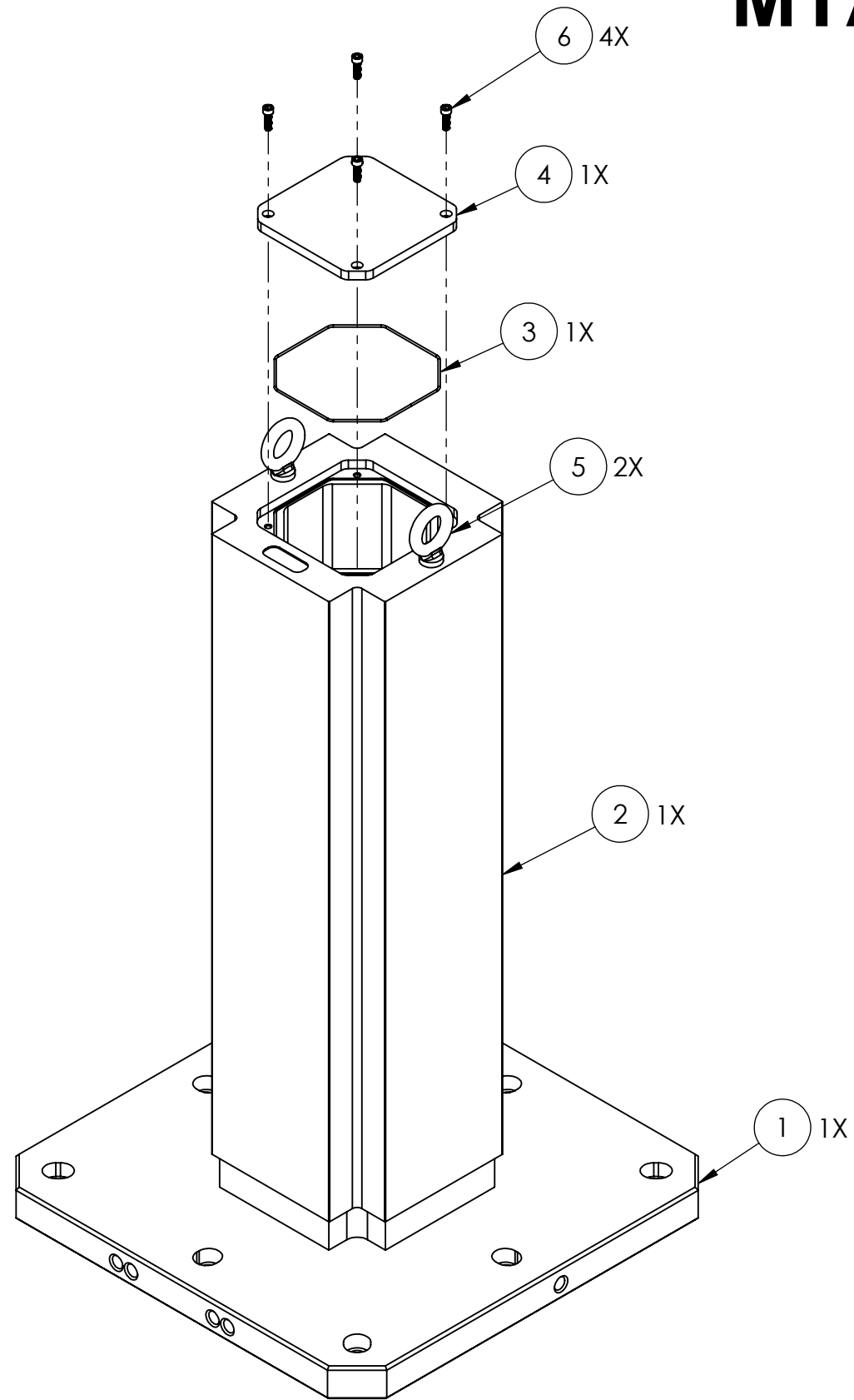
3

2


1

MATERIAL: ALUMINIUM

MTA-5004U-800



ITEM NO.	PART NUMBER	DESCRIPTION	QTY.
1	RL96-5004BUA	400MM UNIVERSAL BASE FOR 4 SIDED ALUMINUM TOWER	1
2	MT-4762A	96MM ROCKLOCK, 4 SIDED 500MM TOMB BASE, ALUMINIUM	1
3	-	O-RING, 156mm ID X 2mm THK, BUNA-N, 70A	1
4	RL96-14TC	96MM ROCKLOCK, 230MM TOMB CAP, ALUMINIUM	1
5	-	30mm ID M12x1.75x24mm STEEL EYEBOLT (FOR LIFTING)	2
6	HW.76172	SOCKET HEAD CAP SCREW, M6x1x20mm	4

MILLIMETER				
WWW.5THAXIS.COM 7140 ENGINEER ROAD SAN DIEGO, CA 92111 P (858) 505-0432				
THIRD ANGLE PROJECTION		DESCRIPTION	MACHINABLE, 500MM TOMBSTONE, ALUMINIUM	
SIZE	PART NO.	MTA-5004U-800		REV
B				A
DO NOT SCALE DRAWING		SCALE 1:6	WEIGHT: 92.44kg	SHEET 2 OF 2

8

7

6

5

4

3

2

1