

8

7

6

5

4

3

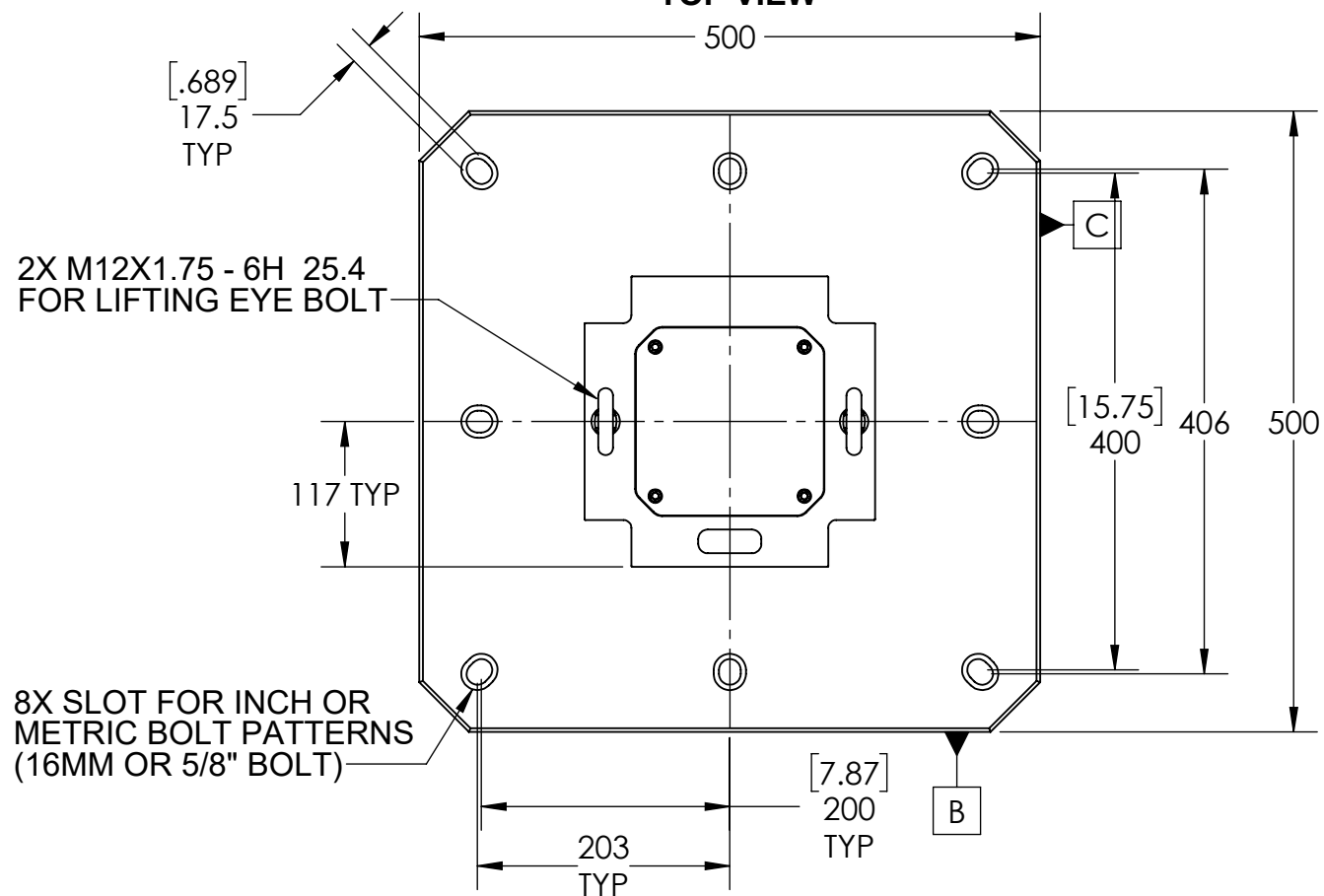
2

1

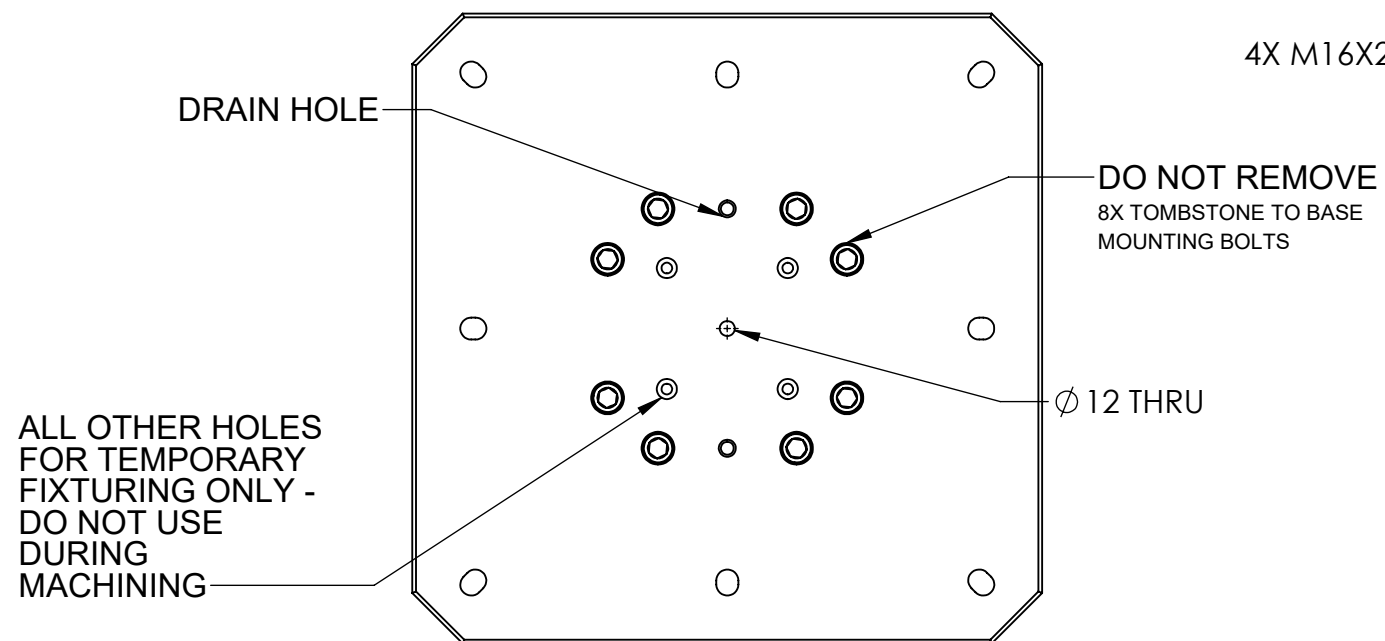
MATERIAL: ALUMINIUM

MTA-5004U-825

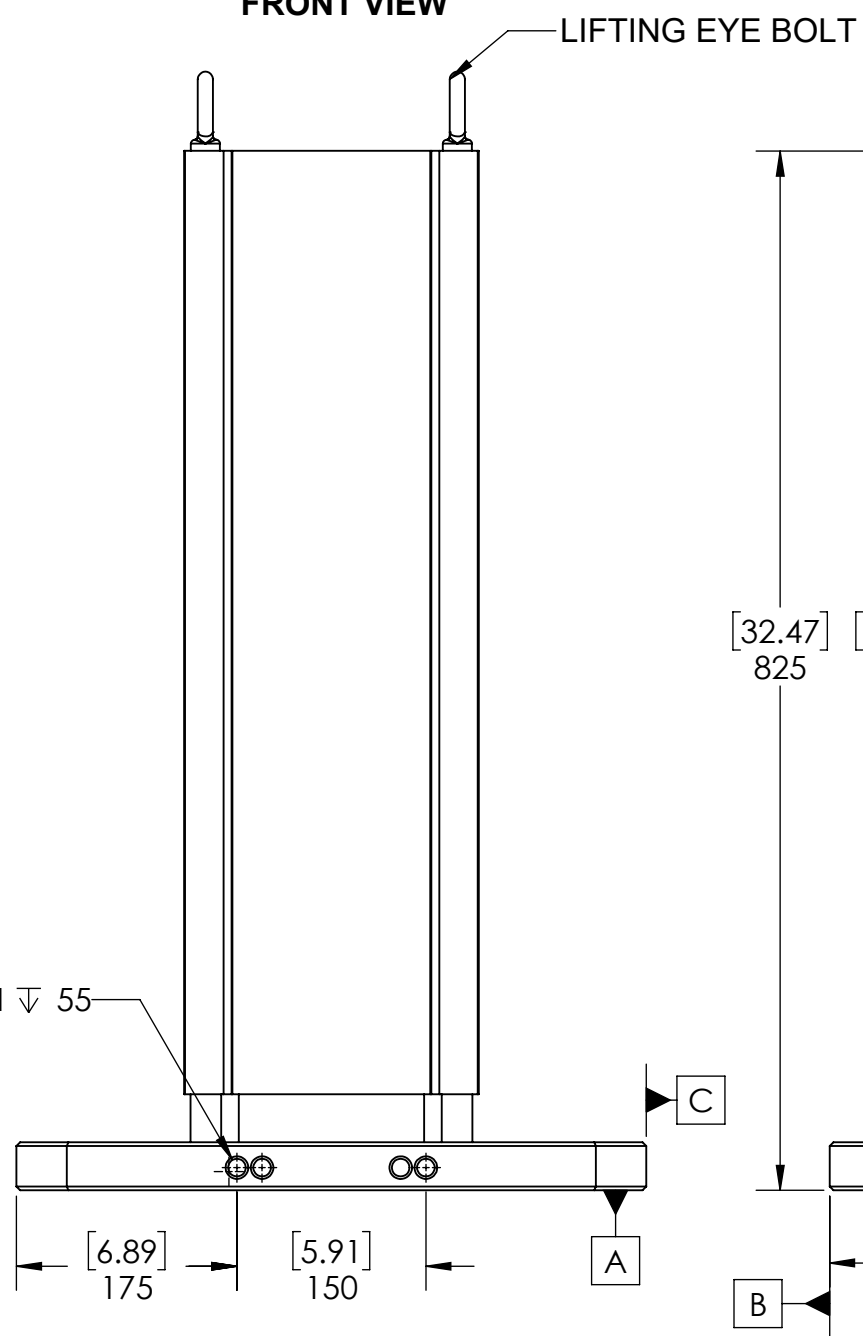
TOP VIEW



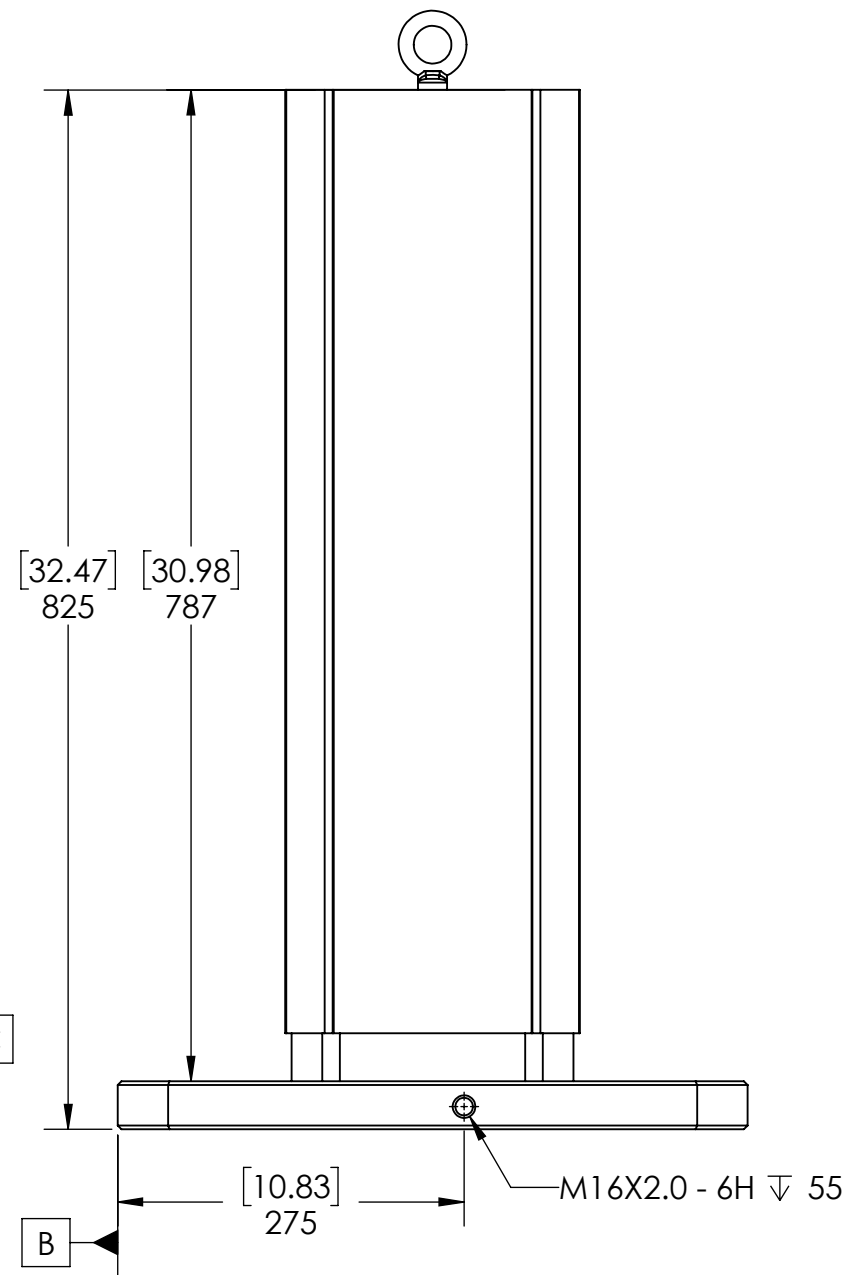
BOTTOM VIEW



FRONT VIEW



SIDE VIEW

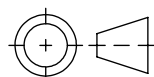


MILLIMETER

WWW.5THAXIS.COM

7140 ENGINEER ROAD
SAN DIEGO, CA 92111
P (858) 505-0432

THIRD ANGLE PROJECTION



DESCRIPTION

MACHINABLE, 500MM TOMBSTONE, ALUMINIUM

SIZE
B

PART NO.

MTA-5004U-825

REV
A

DO NOT SCALE DRAWING

SCALE 1:6

WEIGHT: 94.66kg

SHEET 1 OF 2

8

7

6

5

4

3

2

1

8

7

6

5

4

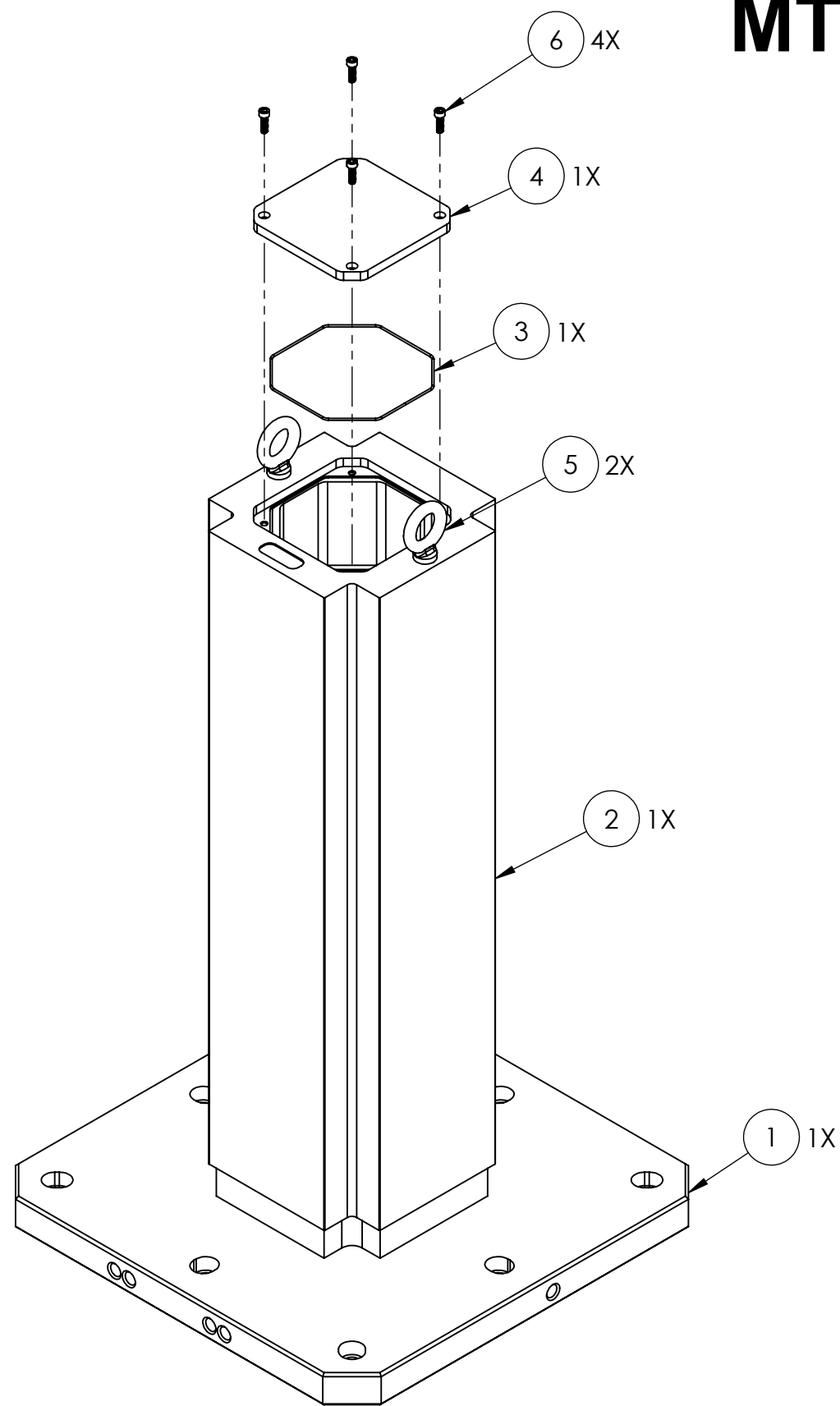
3

2


1

MATERIAL: ALUMINIUM

MTA-5004U-825



ITEM NO.	PART NUMBER	DESCRIPTION	QTY.
1	RL96-5004BUA	500MM UNIVERSAL BASE FOR 4 SIDED ALUMINUM TOWER	1
2	MT-4787A	96MM ROCKLOCK, 4 SIDED 500MM TOMB BASE, ALUMINIUM	1
3	-	O-RING, 156mm ID X 2mm THK, BUNA-N, 70A	1
4	RL96-14TC	96MM ROCKLOCK, 230MM TOMB CAP, ALUMINIUM	1
5	-	30mm ID M12x1.75x24mm STEEL EYEBOLT (FOR LIFTING)	2
6	HW.76172	SOCKET HEAD CAP SCREW, M6x1x20mm	4

MILLIMETER WWW.5THAXIS.COM 7140 ENGINEER ROAD SAN DIEGO, CA 92111 P (858) 505-0432			
	DESCRIPTION MACHINABLE, 500MM TOMBSTONE, ALUMINIUM		
THIRD ANGLE PROJECTION	SIZE B	PART NO. MTA-5004U-825	REV A
DO NOT SCALE DRAWING		SCALE 1:6	WEIGHT: 94.66kg
			SHEET 2 OF 2

8

7

6

5

4

3

2

1