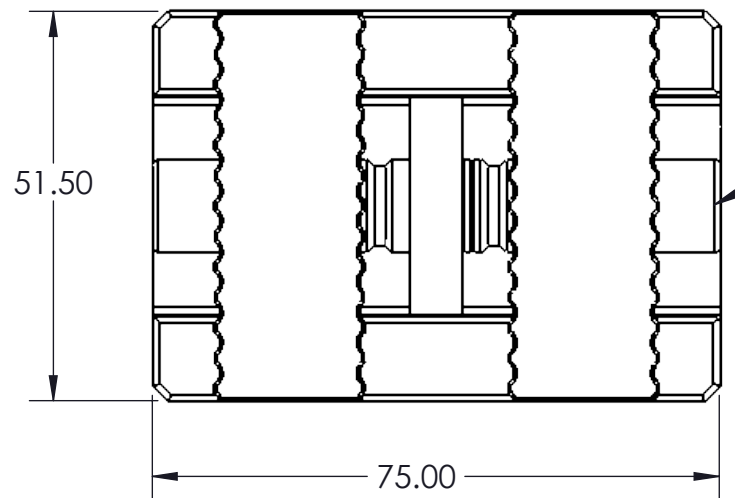
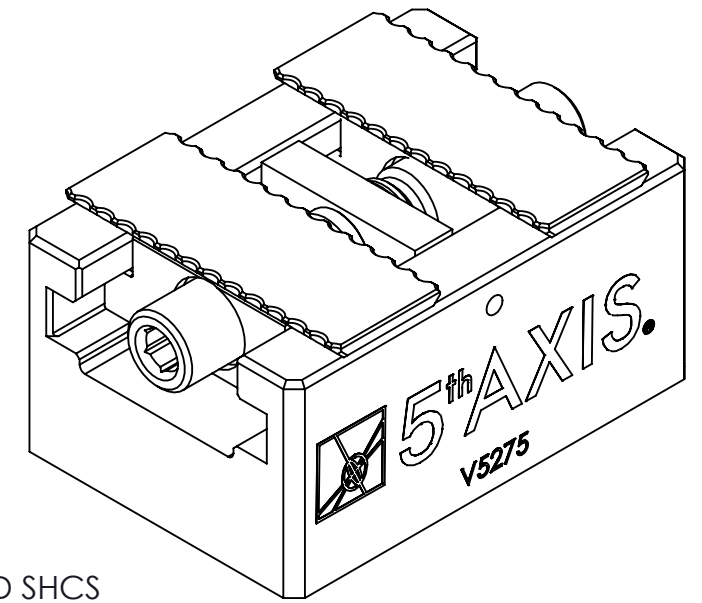


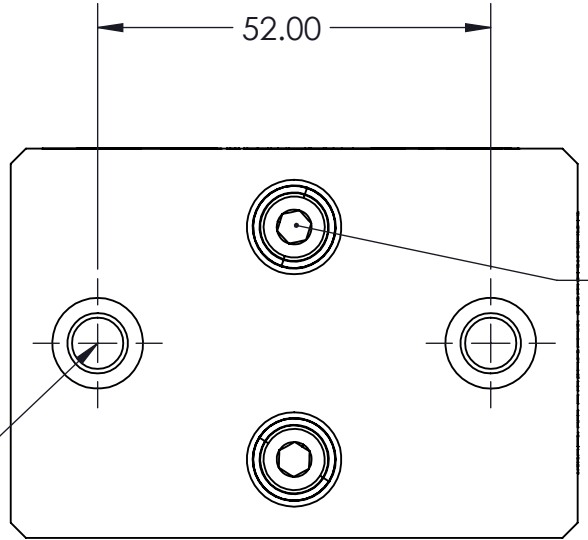
8 7 6 5 4 3 2 1

TECHNICAL DATA	V5275
JAW WIDTH	2.03" (51.5mm)
BASE LENGTH	2.95" (75mm)
MAXIMUM TORQUE	22ft-lbs (30Nm)
CLAMPING FORCE	2500 lbf @22ft-lbs (11.1kN @30Nm)
SELF CENTERING ACCURACY	.002"

# V5275

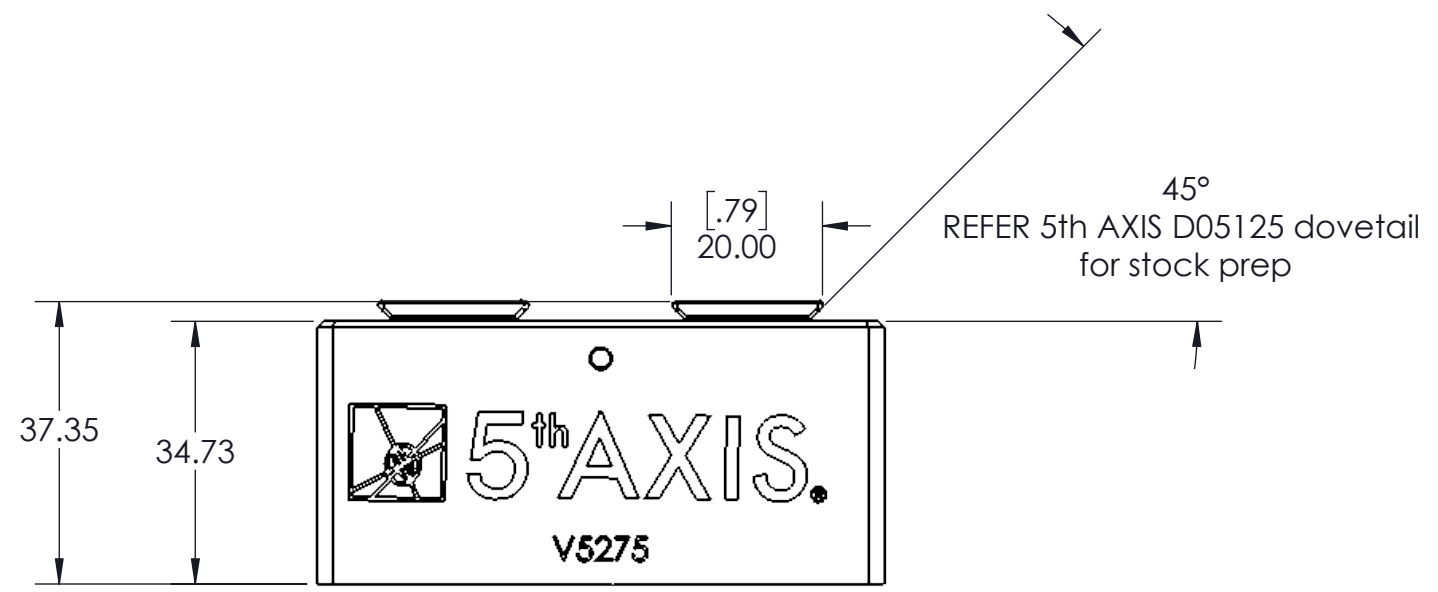


2X 6MM HEX KEY



2X FITS PS16F

5X M5 SERRATED SHCS  
DO NOT REMOVE UNLESS  
ATTEMPTING TO RECENTER  
THE VISE - REFER USER MANUAL

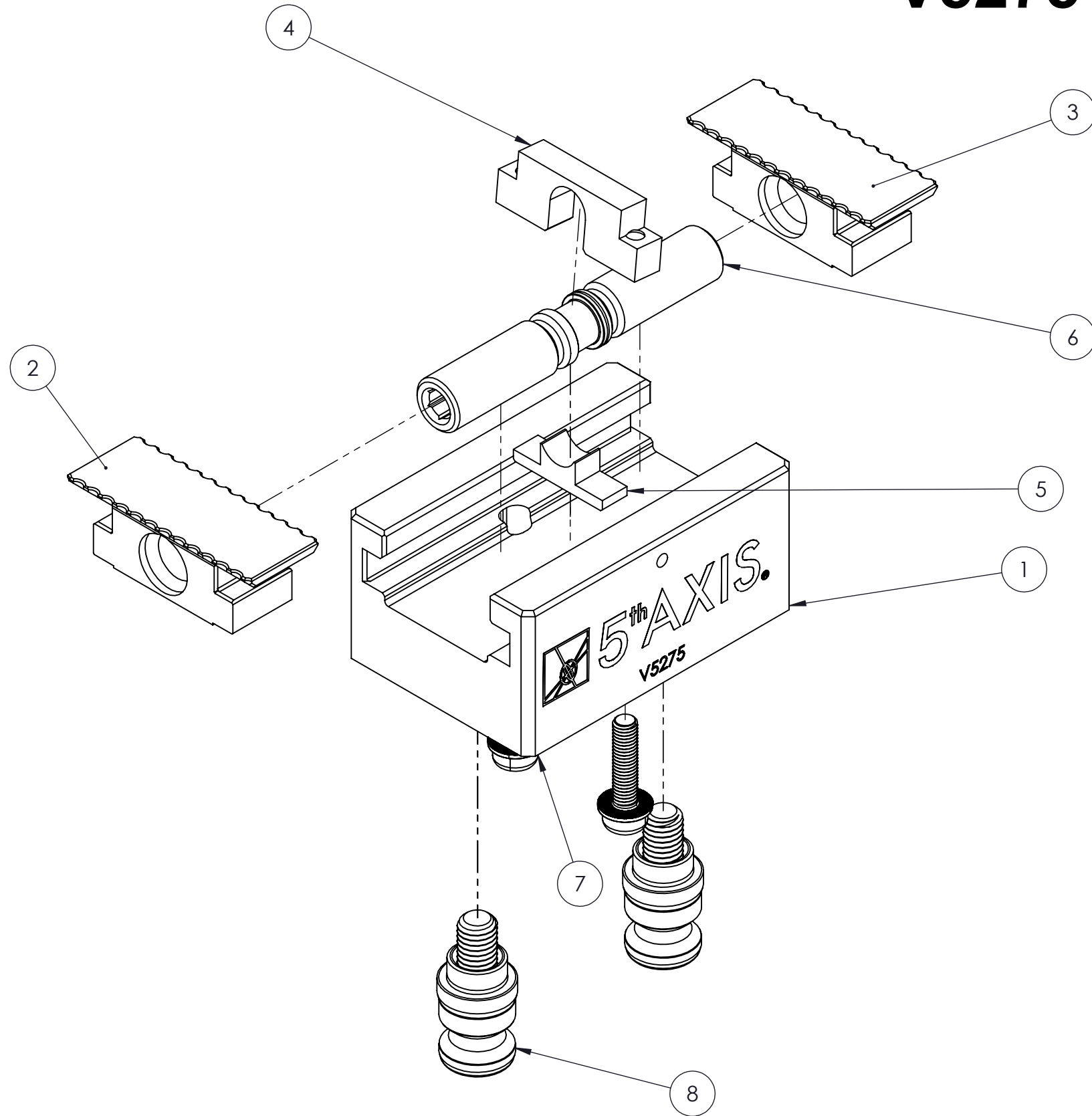


45°  
REFER 5th AXIS D05125 dovetail  
for stock prep

<b>MILLIMETER</b> WWW.5THAXIS.COM 7140 ENGINEER ROAD SAN DIEGO, CA 92111 P (858) 505-0432			
	DESCRIPTION <b>VICE 52MM</b>		
THIRD ANGLE PROJECTION 	SIZE <b>B</b>	PART NO. <b>V5275</b>	REV <b>A</b>
DO NOT SCALE DRAWING		SCALE 1:1	WEIGHT:800gm
			SHEET 1 OF 3


8 7 6 5 4 3 2 1

# V5275



ITEM NO.	PART NUMBER	DESCRIPTION	QTY.
1	V5275-1	BASE, 52 X 75MM, SELF CENTERING VISE	1
2	V5275-2-LH	75MM VISE, LEFT TRUCK-JAW	1
3	V5275-2-RH	75MM VISE, RIGHT TRUCK-JAW	1
4	V5275-3T	CenterBlock,Top	1
5	V5275-3B	CENTERBLOCK, BOTTOM	1
6	V5275-4	LEAD SCREW, 52 X75MM SELF CENTERING VISE	1
7	M5X20.SF.SHCS.10.9.BL	Serrated-Flange Socket Head Screw - M5X0.8 20mm Long	2
8	PS-16F	52MM PULLSTUD	2

FOR REFERENCE ONLY - NOT FOR RESALE

<b>MILLIMETER</b>				
WWW.5THAXIS.COM 7140 ENGINEER ROAD SAN DIEGO, CA 92111 P (858) 505-0432				
THIRD ANGLE PROJECTION		DESCRIPTION	VISE 52MM	
SIZE	PART NO.	REV		
<b>B</b>	<b>V5275</b>	<b>A</b>		
DO NOT SCALE DRAWING		SCALE 1:1	WEIGHT:	SHEET 2 OF 3

8

7

6

5

4

3

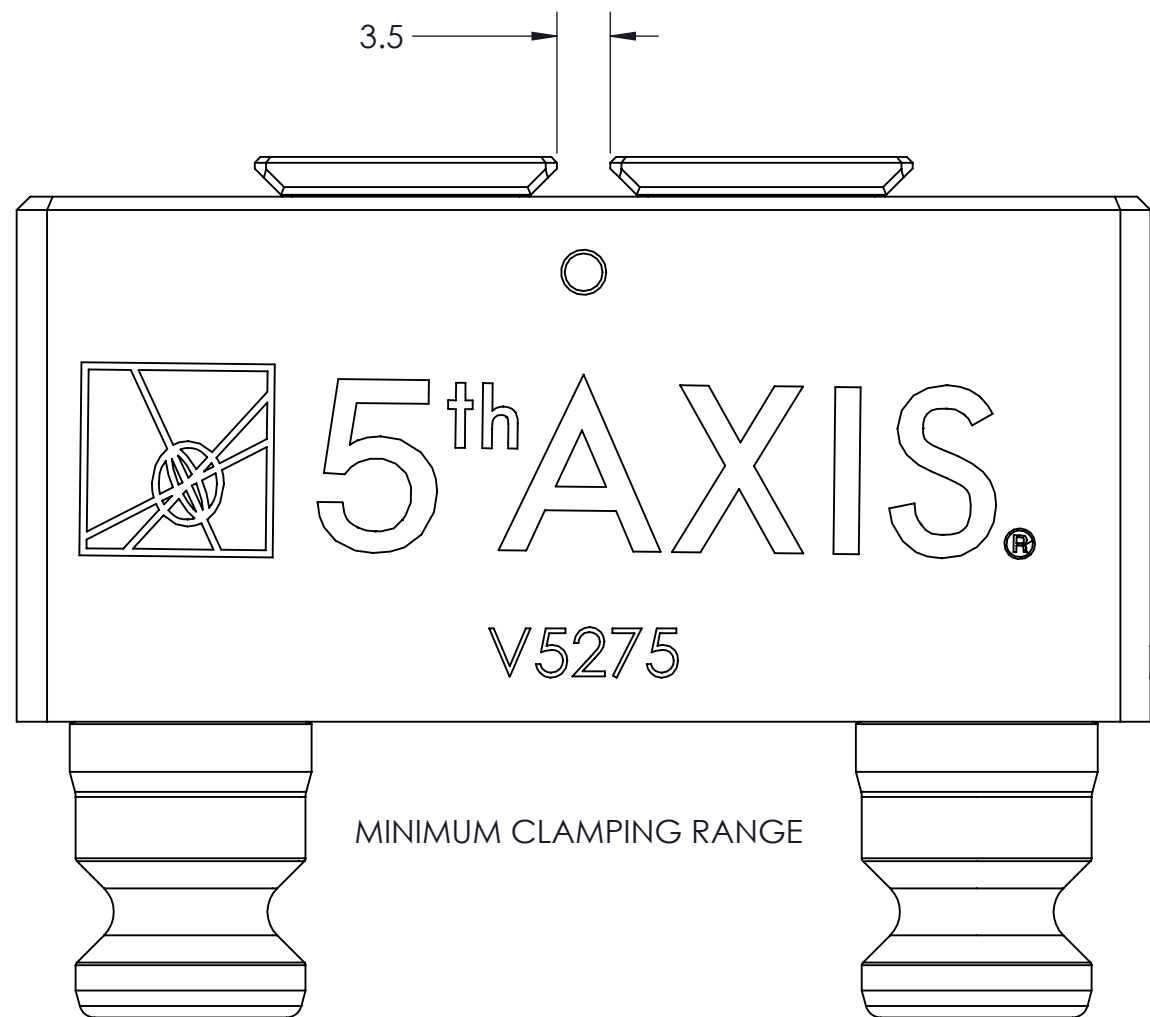
2

1

**NOTES: USING DOVETAIL ALLOWS VISE TO CLAMP LARGER PART.  
 BELOW CLAMPING RANGE ONLY SHOWS THE CAPABILITY OF THE GRIPPER TEETH**

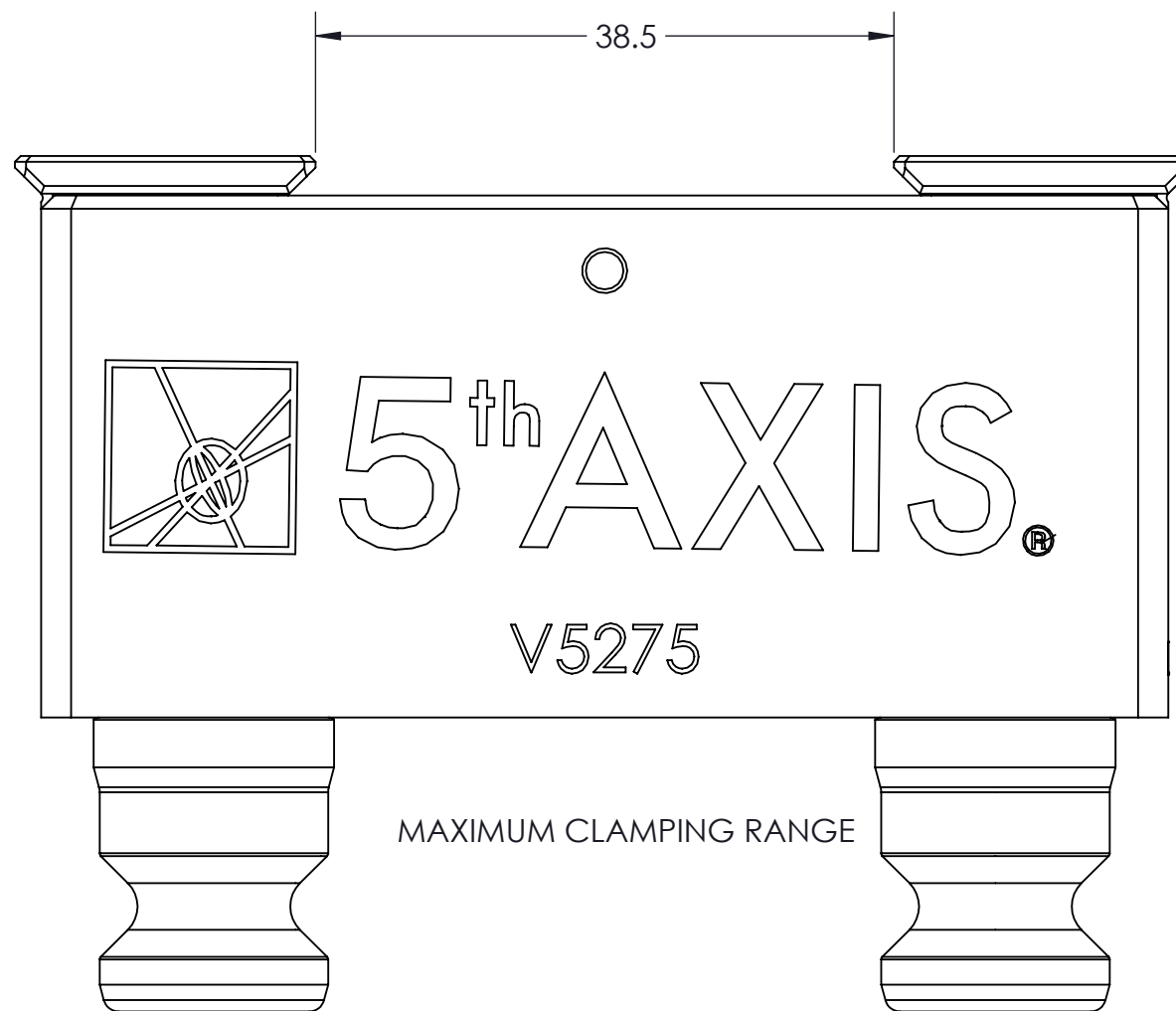
# V5275

3.5




MINIMUM CLAMPING RANGE

38.5



MAXIMUM CLAMPING RANGE

<b>MILLIMETER</b>				
WWW.5THAXIS.COM 7140 ENGINEER ROAD SAN DIEGO, CA 92111 P (858) 505-0432				
THIRD ANGLE PROJECTION		DESCRIPTION	VISE 52MM	
SIZE	PART NO.	REV		
<b>B</b>	<b>V5275</b>	<b>A</b>		
DO NOT SCALE DRAWING		SCALE 1:1	WEIGHT:	SHEET 3 OF 3

8

7

6

5

4

3

2

1