

8

7

6

5

4

3

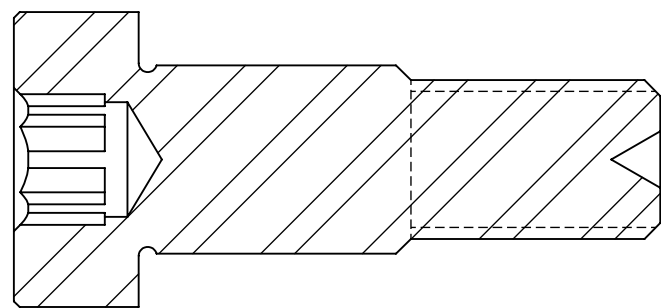
2

1

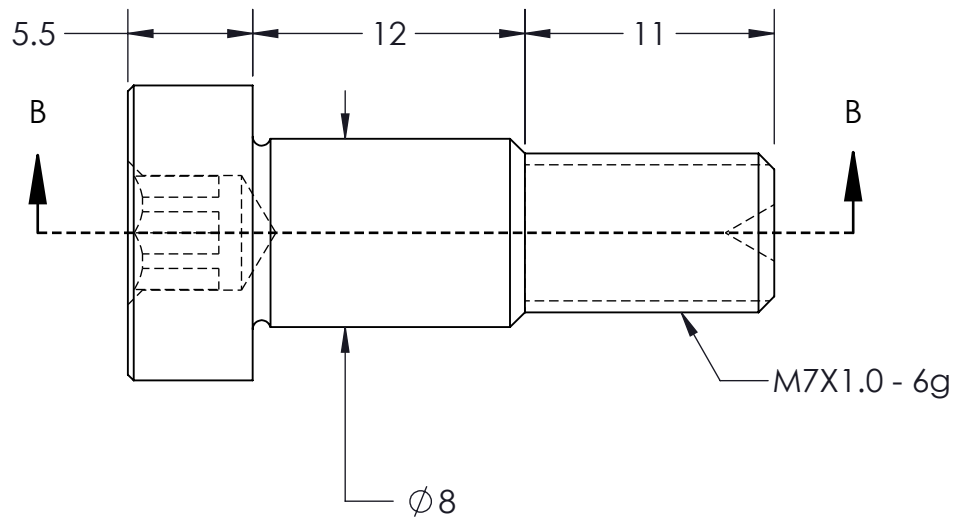
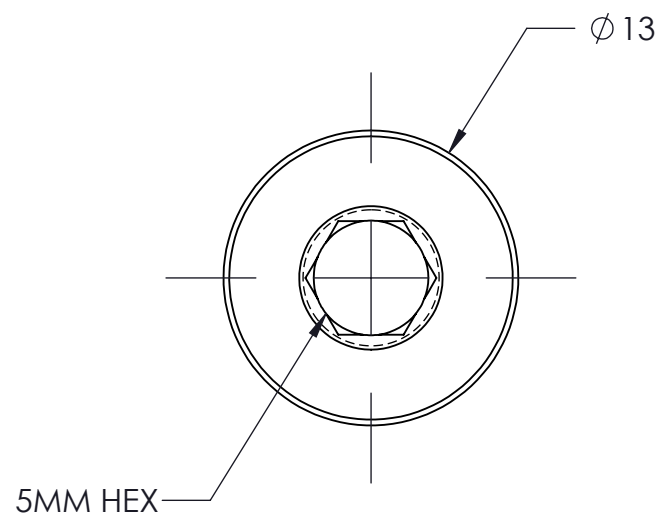
NOTES: UNLESS OTHERWISE SPECIFIED


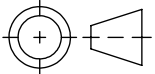
- 1. **MATERIAL: ALLOY STEEL 4130, 4135, 4140
HEAT TREATED TO 38 - 44 HRC**
- 2. **FINISH: BLACK OXIDE**

SB87



SECTION B-B



MILLIMETER				
WWW.5THAXIS.COM				
7140 ENGINEER ROAD SAN DIEGO, CA 92111 P (858) 505-0432		DESCRIPTION SHOULDER BOLT, M7-1.0, 75mm, SELF CENTERING VISE		
THIRD ANGLE PROJECTION 		SIZE B	PART NO. SB87	REV D
DO NOT SCALE DRAWING		SCALE 3:1	WEIGHT: 0.01 kg	SHEET 1 OF 1

8

7

6

5

4

3

2

1